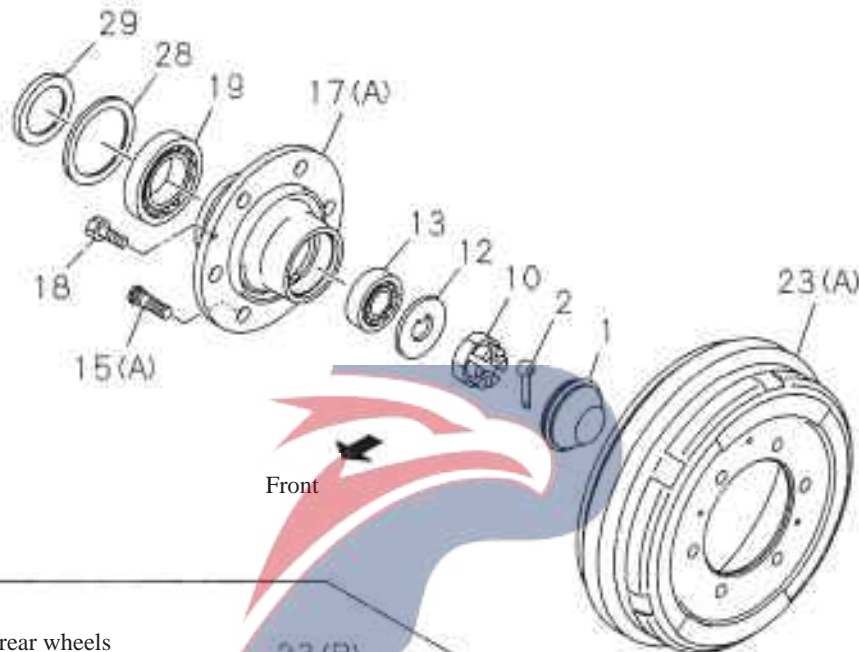


# Front hub and front brake drum

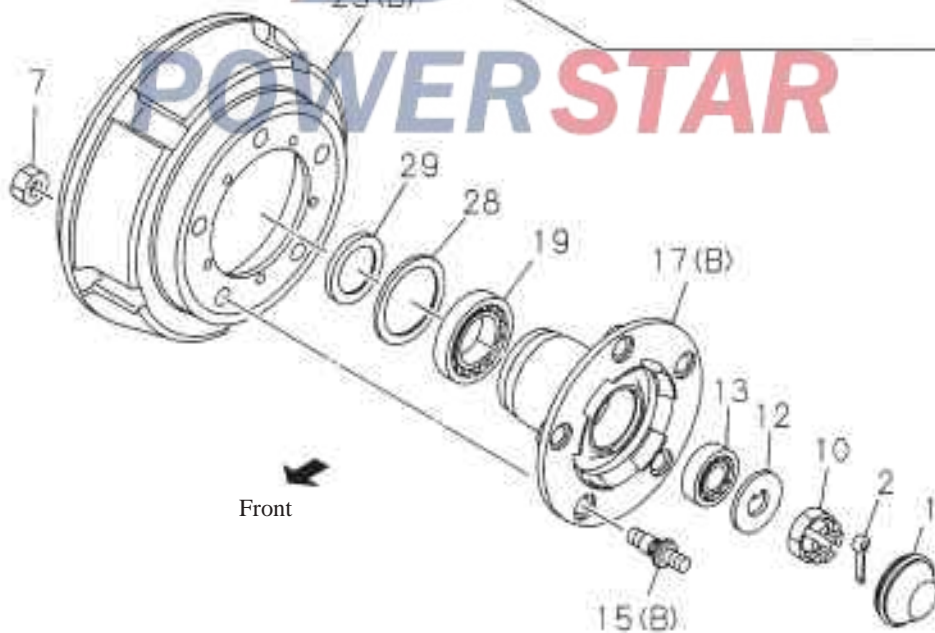
4-11

Figure No.

Single wheel



Double rear wheels



4-11		Front hub and front brake drum					
Figure No.		Recommended specification / name of part					
S/N	Isuzu figure No.	QingLing figure No.	Left/Right	Qty.	Applicable models / applicable status / notes		
					A	Wheelbase 2490mm	
					B	Wheelbase 2765mm	
					C	Wheelbase 3360mm	
					D	Wheelbase 3815mm	
1	---Dust cover - front hub						
	8-97012-619-0	3103085-10B		02	ABC	Only for 4JB1 engine	
	8-97012-619-0	3103085-801		02	BCD	Only 4KH1 engine	
2	---Cotter - locking of outer bearing nut of hub						
	9-08115-040-0	Q5000540		02	ABCD		
7	---Nut - brake drum and hub						
	9-99110-520-0.	3501811-15		10	BCD	Only 4KH1 engine	
					BC	Only for 4JB1 engine	
						M20	
10	--- Nut - outer hub bearing						
	8-94247-357-1	3103084-10		02	ABCD		
12	---Washer - outer hub bearing						
	8-94247-356-1	3103083-10		02	ABCD		
13	---Bearing - outer hub bearing						
	8-942480831	3103050-10		02	ABCD		
15	---Wheel bolt						
	9-42332-605-4		Left	06	A	Only for 4JB1 engine	
						(A)	
						M14× 50	

Front hub and front brake drum

4-11

Figure No.

S/N	Recommended specification / name of part					
	Isuzu figure No.	QingLing figure No.	Left/Right	Qty.	Applicable models / applicable status / notes	
					A	Wheelbase 2490mm
					B	Wheelbase 2765mm
					C	Wheelbase 3360mm
					D	Wheelbase 3815mm
15	--- Wheel bolt					
	9-42331-605-4	3103042-10A	Right	06	A	Only for 4JB1 engine (A) M14× 50
		3103032-861A	Left	05	BCD	Only 4KH1 engine
	8-94383-437-1	3103032-15A	Left	05	BC	Only for 4JB1 engine (B) M18× 24 M20× 18.5
	8-94383-436-1	3103042-15A	Right	05	BC	Only for 4JB1 engine (B) M18× 24 M20× 18.5
		3103042-861A	Right	05	BCD	4KH1 engine
17	--- Front hub					
	8-94420-597-1	3103031-10		02	A	Only for 4JB1 engine (A)
		3103031-861		02	BCD	Only 4KH1 engine (B)
	8-94365-459-0	3103031-15		02	BC	Only for 4JB1 engine (B)
18	--- Bolt- brake drum and hub					
	0-20800-618-0	Q150B0618		02	A	Only for 4JB1 engine M6× 18

4-11		Front hub and front brake drum				
Figure No.						
S/N	Recommended specification / name of part					
	Isuzu figure No.	QingLing figure No.	Left/Right	Qty.	Applicable models / applicable status / notes	
					A _____ Wheelbase 2490mm	
					B _____ Wheelbase 2765mm	
					C _____ Wheelbase 3360mm	
					D _____ Wheelbase 3815mm	
19	<b>--- Bearing- hub</b>					
	8-94248-088-2	3103060-10		02	ABCD Inside bearing	
	8-94248-083-1	3103050-10		02	ABCD Outside bearing	
23	<b>--- Front brake drum</b>					
	8-97085-071-1	3501711-10		02	A Only for 4JB1 engine (A)	
		3501711-861		02	BCD Only 4KH1 engine (B)	
	8-97094-434-2	3501711-15		02	BC Only for 4JB1 engine (B)	
28	<b>--- Rear axle reducer housing - hub inner bearing</b>					
	8-94248-117-1	3103070-10		02	ABCD	
29	<b>--- Retaining ring - hub inner bearing</b>					
	8-97234-513-0	3103083-10		02	ABCD	

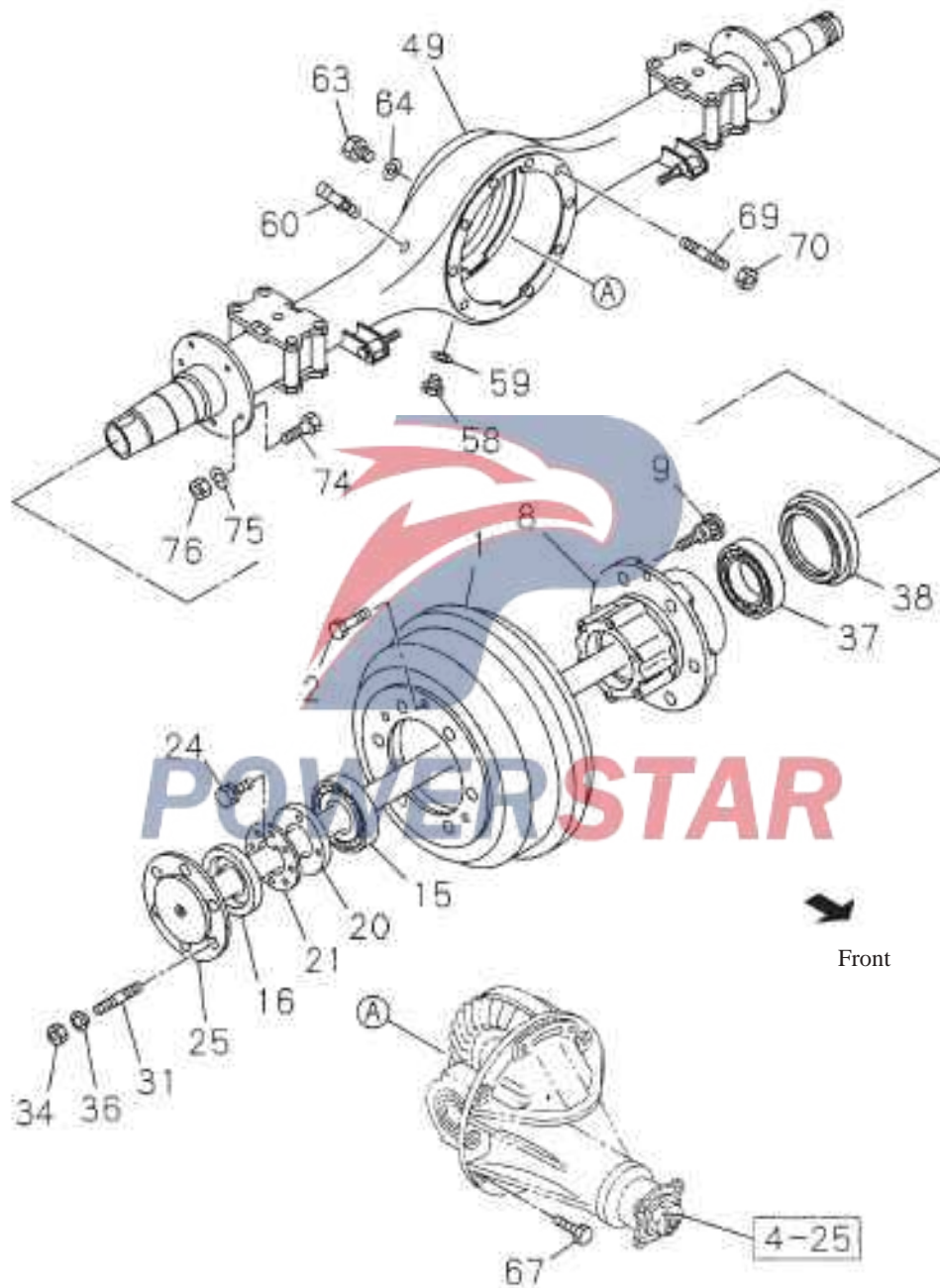


### Rear-axle housing and half axle

Single wheel

4-20

Figure No.

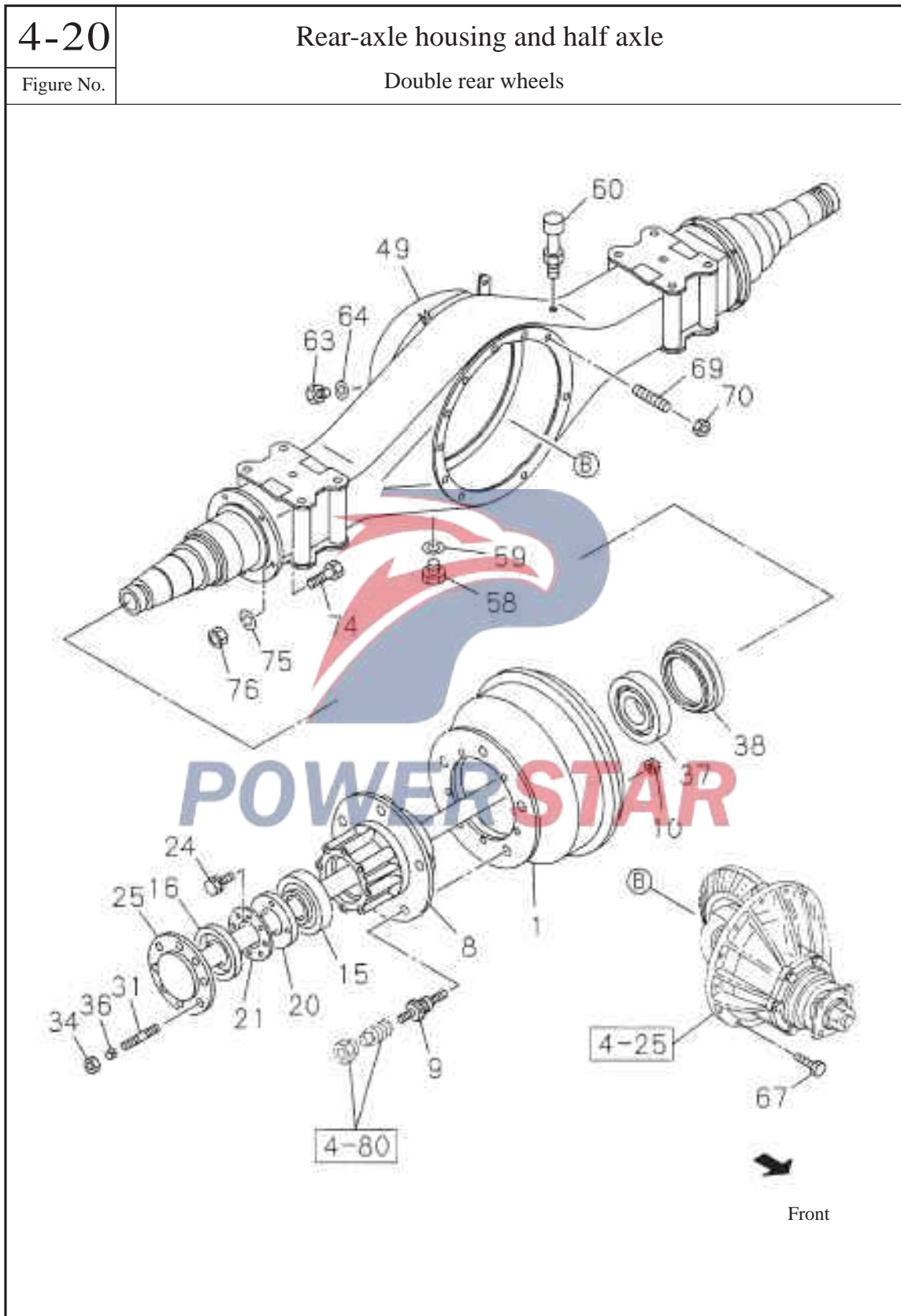


4-20

### Rear-axle housing and half axle

Figure No.

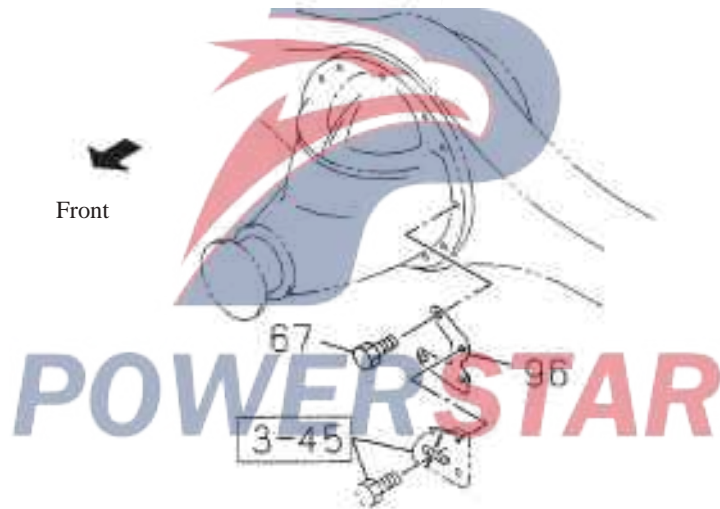
Double rear wheels



# Rear-axle housing and half axle

4-20

Figure No.



4-20		Rear-axle housing and half axle				
Figure No.						
S/N	Recommended specification / name of part					
	Isuzu figure No.	QingLing figure No.	Left/Right	Qty.	Applicable models / applicable status / notes	
A					Wheelbase 2490mm	
					B	Wheelbase 2765mm
					C	Wheelbase 3360mm
					D	Wheelbase 3815mm
1	--- Rear drum brake					
	8-94455-285-2	3502711-10		02	A	Only for 4JB1 engine
		3502711-815		02	BCD	Only 4KH1 engine
	8-94382-884-4	3502711-15		02	BC	Only for 4JB1 engine
2	--- Bolt - brake drum and hub					
	0-20800-618-0	Q150B0618		02	A	Only for 4JB1 engine M6×18
8	--- Rear hub assembly					
	5-42311-009-3	3104011-10		02	A	Only for 4JB1 engine
	8-97026-139-3	3104011-15A		02	BCD	Only 4KH1 engine
					BC	Only for 4JB1 engine
9	--- Wheel bolt					
	9-42332-605-4	3103032-10A	Left	06	A	Only for 4JB1 engine M14×50
	9-42331-605-4	3103042-801	Right	06	A	Only for 4JB1 engine M14×50
	8-94383-437-1	3103032-15A	Left	05	BCD	4KH1 engine
					BC	4JB1 engine
						M18×24 M20×18.5
	8-94383-436-1	3103042-15A	Right	05	BCD	4KH1 engine
					BC	4JB1 engine
						M18×24 M20×18.5
10	--- Nut - brake drum and hub					
	9-99110-520-0	3501811-15		10	BCD	4KH1 engine
					BC	4JB1 engine
						M20

Rear-axle housing and half axle

4-20

Figure No.

S/N	Recommended specification / name of part				
	Isuzu figure No.	QingLing figure No.	Left/Right	Qty.	Applicable models / applicable status / notes
					A B C D
15	--- Outer bearing - rear hub				
	9-00093-082-0	3104050-10		02	ABCD
16	--- Rear axle reducer housing - outer hub bearing				
	8-94336-315-2	3104090-803		02	ABCD
20	--- Hub nut - hub bearing				
	8-97137-092-0	3104111-10		02	ABCD M52
21	--- Locking gasket - hub nut				
	9-09853-214-0	3104112-10		02	ABCD Inside diameter =52
24	--- Combination bolt - locking gasket and hub locking nut				
	0-50040-612-0	Q1420612		04	ABCD M6× 12
25	--- Half-axle				
	8-94366-192-0	2403511-10A		02	A Only for 4JB1 engine
		2403511-861		02	BCD Except the single cab wide-bodied vehicle model with 4KH1 engine and wheel base of 3815
		2403511-861/A		02	D 4KH1 engine only for single cab wide-bodied vehicle model with wheel base of 3815
	8-97032-496-0	2403511-15A		02	BC Only for 4JB1 engine
31	---Studs - half axle and hub				
	5-09300-066-1	3104021-10		12	A Only for 4JB1 engine M10× 30 Length =

4-20		Rear-axle housing and half axle				
Figure No.						
S/N	Recommended specification / name of part					
	Isuzu figure No.	QingLing figure No.	Left/Right	Qty.	Applicable models / applicable status / notes	
A					Wheelbase 2490mm	
					B	Wheelbase 2765mm
					C	Wheelbase 3360mm
					D	Wheelbase 3815mm
31	---Studs - half axle and hub					
	5-09300-066-1	3104621-10		16	BCD	4KH1 engine
					BC	4JB1 engine
						M10× 30 Length = 49
34	---Nut - half axle and hub					
	0-91150-210-0	Q32010T13		12	A	Only for 4JB1 engine
						M10
	0-91150-210-0	Q32010T13		16	BCD	4KH1 engine
					BC	4JB1 engine
						M10
36	--- Special gasket - half axle and hub					
	9-09855-207-0	2400128-803		12	A	Only for 4JB1 engine
						Inside diameter =10.5
	9-09855-207-0	2400128-803		16	BCD	4KH1 engine
					BC	4JB1 engine
						Inside diameter =10.5
37	---Inner bearing - rear hub					
	9-00093-081-0	3104070-10		02	ABCD	
38	---Rear axle reducer housing - hub inner bearing					
	8-94336-314-1	3104080-803		02	ABCD	
49	---Rear axle housing assembly					
	8-97032-768-3	2401010-10		01	A	Only for 4JB1 engine

4-20

Figure No.

Rear-axle housing and half axle

S/N	Recommended specification / name of part				
	Isuzu figure No.	QingLing figure No.	Left/Right	Qty.	Applicable models / applicable status / notes
					A B C D
					Wheelbase 2490mm Wheelbase 2765mm Wheelbase 3360mm Wheelbase 3815mm
49	<b>--- Rear axle housing assembly</b>				
	8-97032-861-3	2401010-15		01	B 4KH1 Engine only for single cab vehicle model with payload of 4T and crew cab vehicle model with payload of 1.48T BC 4JB1 Except the engine for single cab vehicle model with payload of 1.95T and crew cab vehicle model with payload of 1.75T
		2401010-10B		01	B Engine only for single cab vehicle model with payload of 1.95T and crew cab vehicle model with payload of 1.75T
		2401010-861B1		01	BCD 4KH1 Except the engine for single cab vehicle model with payload of 4T and crew cab vehicle model with payload of 1.48T
		2401010-861/A		01	D 4KH1 engine only for wide-bodied vehicle model with wheel base of 3815
58	<b>--- Oil-drain screw plug assembly</b>				
	8-97109-869-0	2400110A-803		01	ABCD M16×12.5
59	<b>--- Seal washer - oil-drain screw plug assembly</b>				
	9-09571-416-0	Q7231675		01	ABCD Inside diameter =16.2 Outer diameter = 24
60	<b>--- Ventilation plug assembly - rear-axle</b>				
	8-973836560			01	ABCD Length = 22
63	<b>--- Oil filler screw plug - rear-axle cover</b>				
	9-09662-005-0	2400042-10		01	ABCD M20×10.5



4-20		Rear-axle housing and half axle				
Figure No.		Recommended specification / name of part				
S/N	Isuzu figure No.	QingLing figure No.	Left/Right	Qty.	Applicable models / applicable status / notes	
					A	Wheelbase 2490mm
					B	Wheelbase 2765mm
					C	Wheelbase 3360mm
					D	Wheelbase 3815mm
64	--- Sealing pad - oil filler screw plug					
	8-94462-734-0	2400126-803		01	ABCD	Inside diameter =20 Outer diameter = 30
67	--- Combination bolt - main reducer and axle housing					
	0-50061-040-0	Q142040T		08	AB	Except single cab vehicle model with 4JB1 engine, wheelbase of 2765, payload of 2.2T and crew cab vehicle model with payload of 1.85T
	0-50061-040-0	Q142040T		11	BCD	M10×40 4KH1 engine
					BC	Except single cab vehicle model with 4JB1 engine, wheelbase of 2765, payload of 1.95T and crew cab vehicle model with payload of 1.75T
						M10×40
69	--- Studs - main reducer and axle housing					
	8-97026-282-0			02	ABCD	M10×40.5 Length =52.55
70	--- Nut - main reducer and axle housing					
	0-91150-210-0	Q32010T13		02	ABCD	M10
74	--- Bolt - brake assembly and axle housing assembly					
	8-97259-178-0	2400127-801		12	AB	Except single cab vehicle model with 4JB1 engine, wheelbase of 2765, payload of 2.2T and crew cab vehicle model with payload of 1.85T
	5-09000-078-0	2400127-803		12	BCD	4KH1 engine
					BC	Except single cab vehicle model with 4JB1 engine, wheelbase of 2765, payload of 1.95T and crew cab vehicle model with payload of 1.75T
						M12×32



4-20

Rear-axle housing and half axle

Figure No.

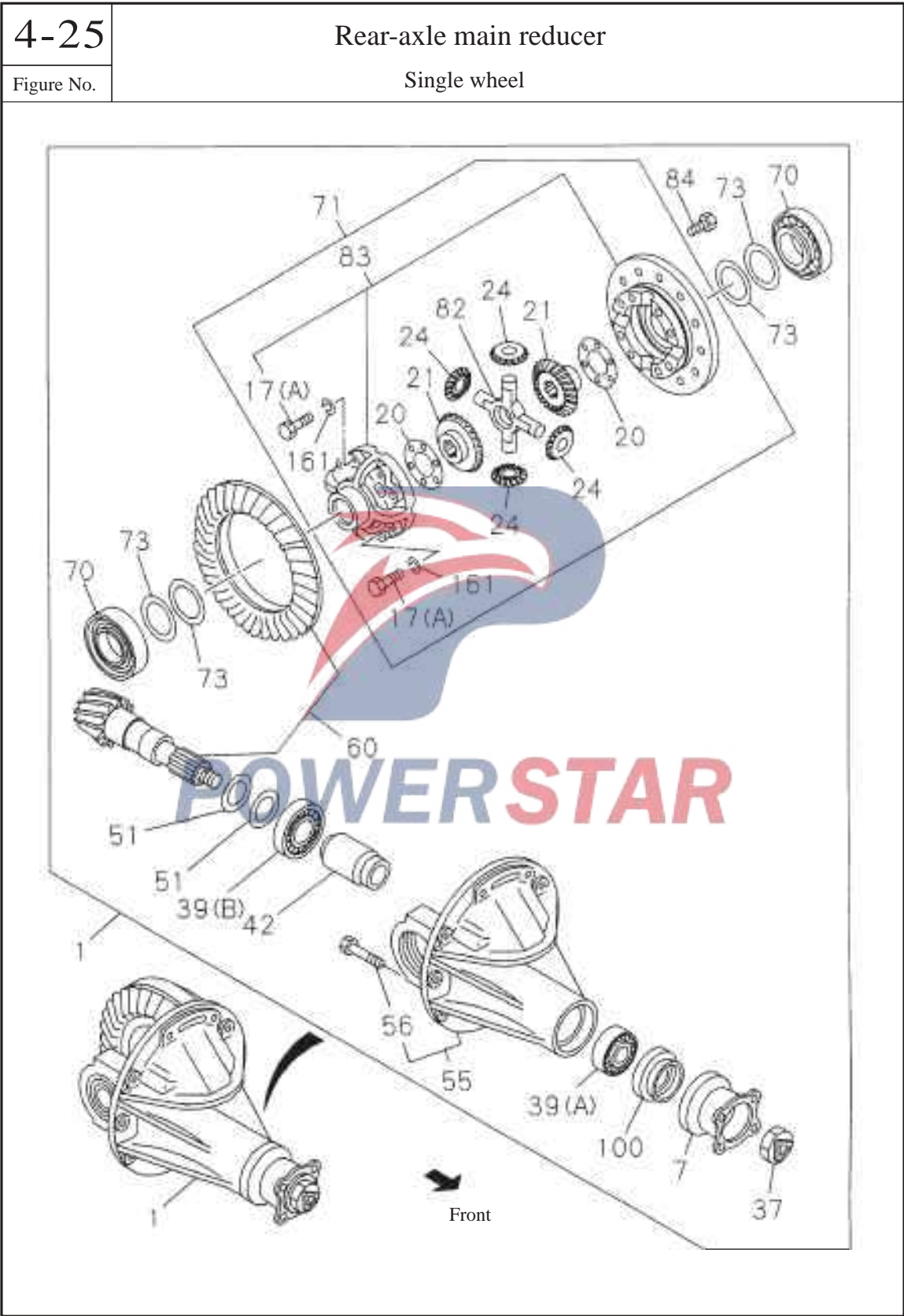
S/N	Recommended specification / name of part				
	Isuzu figure No.	QingLing figure No.	Left/Right	Qty.	Applicable models / applicable status / notes
					A B C D
					Wheelbase 2490mm Wheelbase 2765mm Wheelbase 3360mm Wheelbase 3815mm
75	<b>--- Heavy duty spring washer - brake assembly and axle housing assembly</b>				
	9-09150-610-0	Q40510		12	AB Except single cab vehicle model with 4JB1 engine, wheelbase of 2765, payload of 2.2T and crew cab vehicle model with payload of 1.85T Inside diameter =10.2
	9-09150-612-0	Q40512		12	BCD 4KH1 engine BC Except single cab vehicle model with 4JB1 engine, wheelbase of 2765, payload of 1.95T and crew cab vehicle model with payload of 1.75T Inside diameter =12
76	<b>--- Nut - brake assembly and axle housing</b>				
	9-09110-510-0	Q341C10T		12	AB Except single cab vehicle model with 4JB1 engine, wheelbase of 2765, payload of 2.2T and crew cab vehicle model with payload of 1.85T M10
	9-99110-512-0	Q341B12T13		12	BCD KH1 engine BC Except single cab vehicle model with 4JB1 engine, wheelbase of 2765, payload of 1.95T and crew cab vehicle model with payload of 1.85T M12
96	<b>--- Bracket - load sensing valve to rear axle</b>				
	8-94368-449-2	2402320-802		01	AB Except single cab vehicle model with 4JB1 engine, wheelbase of 2765, payload of 1.95T and crew cab vehicle model with payload of 1.85T

4-25

### Rear-axle main reducer

Figure No.

Single wheel

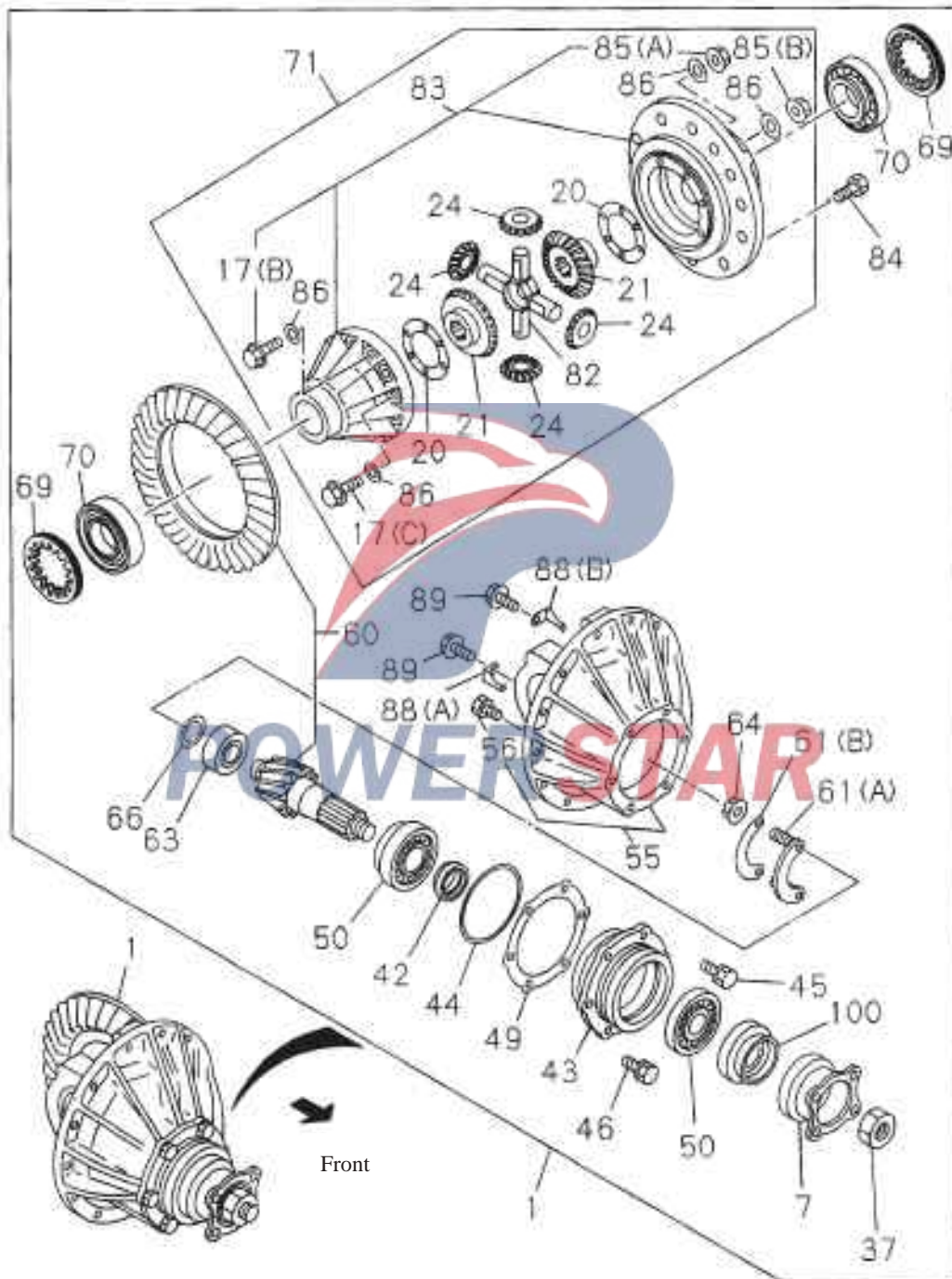


### Rear-axle main reducer

Double rear wheels

4-25

Figure No.



4-25		Rear-axle main reducer				
Figure No.						
S/N	Recommended specification / name of part					
	Isuzu figure No.	QingLing figure No.	Left/Right	Qty.	Applicable models / applicable status / notes	
A					Wheelbase 2490mm	
					B	Wheelbase 2765mm
					C	Wheelbase 3360mm
					D	Wheelbase 3815mm
1	<b>--- Rear axle main reducer assembly</b>					
	8-970769360	2402010-10		01	AB	Except single cab vehicle model with 4JB1 engine, wheelbase of 2765, payload of 2.2T and crew cab vehicle model with payload of 1.85T
	8-94338-902-2	2402010-25		01	BCD	4KH1 engine
					BC	4JB1 Except single cab vehicle model with 4JB1 engine, wheelbase of 2765, payload of 1.95T and crew cab vehicle model with payload of 1.75T
						43/7
7	<b>--- Flange assembly - main reducer assembly</b>					
	8-97075-216-3	2402150-10		01	AB	Except single cab vehicle model with 4JB1 engine, wheelbase of 2765, payload of 2.2T and crew cab vehicle model with payload of 1.85T
	8-94426-787-4	2402150-15		01	BCD	4KH1 engine
					BC	Except single cab vehicle model with 4JB1 engine, wheelbase of 2765, payload of 1.95T and crew cab vehicle model with payload of 1.75T
17	<b>--- Bolt - connect to left and right housing of differential mechanism</b>					
	8-97314-497-0			04	AB	Except single cab vehicle model with 4JB1 engine, wheelbase of 2765, payload of 2.2T and crew cab vehicle model with payload of 1.85T
						(A)
	5-09000-213-0			12	BCD	4KH1 engine
					BC	Except single cab vehicle model with 4JB1 engine, wheelbase of 2765, payload of 1.95T and crew cab vehicle model with payload of 1.75T
						(C)
						M10×75
20	<b>--- Thrust washer - differential half axle assembly</b>					
	9-41562-602-0	2400123-801		02	AB	Except single cab vehicle model with 4JB1 engine, wheelbase of 2765, payload of 2.2T and crew cab vehicle model with payload of 1.85T
						Thickness =1.00

## Rear-axle main reducer

# 4-25

Figure No.

S/N	Recommended specification / name of part					
	Isuzu figure No.	QingLing figure No.	Left/Right	Qty.	Applicable models / applicable status / notes	
					A B C D	Wheelbase 2490mm Wheelbase 2765mm Wheelbase 3360mm Wheelbase 3815mm
20	<b>--- Thrust washer - differential half axle assembly</b>					
	9-41562-601-0	2400123-803		02	BCD	4KH1 engine
					BC	Except single cab vehicle model with 4JB1 engine, wheelbase of 2765, payload of 1.95T and crew cab vehicle model with payload of 1.75T  Thickness =1.40
21	<b>--- Differential gear shaft</b>					
	8-97226-764-0	2402246-802		02	AB	Except single cab vehicle model with 4JB1 engine, wheelbase of 2765, payload of 2.2T and crew cab vehicle model with payload of 1.85T  Z=18
	8-97362-599-0	2402246-803		02	BCD	4KH1 engine
					BC	Except single cab vehicle model with 4JB1 engine, wheelbase of 2765, payload of 1.95T and crew cab vehicle model with payload of 1.75T  Z=20
24	<b>--- Planetary gear of differential mechanism</b>					
	8-97226-762-0	2402245-802		04	AB	Except single cab vehicle model with 4JB1 engine, wheelbase of 2765, payload of 2.2T and crew cab vehicle model with payload of 1.85T  Z=10
	8-97356-349-0	2402245-803		04	BCD	4KH1 engine
					BC	Except single cab vehicle model with 4JB1 engine, wheelbase of 2765, payload of 1.95T and crew cab vehicle model with payload of 1.75T  Z=10
37	<b>--- Self-locking nut - holding flange</b>					
	8-94376-261-1	2400121-801		01	AB	Except single cab vehicle model with 4JB1 engine, wheelbase of 2765, payload of 2.2T and crew cab vehicle model with payload of 1.85T  M24
	8-94329-526-1	2400121-803		01	BCD	4KH1 engine
					BC	Except single cab vehicle model with 4JB1 engine, wheelbase of 2765, payload of 1.95T and crew cab vehicle model with payload of 1.75T



4-25		Rear-axle main reducer				
Figure No.		Recommended specification / name of part				
S/N	Isuzu figure No.	QingLing figure No.	Left/Right	Qty.	Applicable models / applicable status / notes	
					A	B
						Wheelbase 2490mm
						Wheelbase 2765mm
						Wheelbase 3360mm
						Wheelbase 3815mm
39	--- Bearing - drive bevel gear					
	9-00093-078-0	2402230-802		01	AB	4JB1 Except single cab vehicle model with 4JB1 engine, wheelbase of 2765, payload of 2.2T and crew cab vehicle model with payload of 1.85T
	9-00093-079-0	2402220-802		01	AB	(A) Outer bearing Except single cab vehicle model with 4JB1 engine, wheelbase of 2765, payload of 2.2T and crew cab vehicle model with payload of 1.85T  (B) Inner bearing
42	--- Container assembly					
	9-41219-634-1	2402241-802		01	AB	Except single cab vehicle model with 4JB1 engine, wheelbase of 2765, payload of 2.2T and crew cab vehicle model with payload of 1.85T
	9-41219-603-1	2402241-803		01	BCD	Length = 53.35 4KH1 engine
					BC	Except single cab vehicle model with 4JB1 engine, wheelbase of 2765, payload of 1.95T and crew cab vehicle model with payload of 1.75T Length = 19.6
43	--- Bearing spacer - drive bevel gear					
	8-94400-890-0	2402243-803		01	BCD	4KH1 engine
					BC	Except single cab vehicle model with 4JB1 engine, wheelbase of 2765, payload of 1.95T and crew cab vehicle model with payload of 1.75T
44	--- O-seal ring					
	9-09720-505-0			01	BCD	4KH1 engine
					BC	Except single cab vehicle model with 4JB1 engine, wheelbase of 2765, payload of 1.95T and crew cab vehicle model with payload of 1.75T
45	--- Combination bolt - bearing spacer and reducer housing壳					
	0-50051-238-0	Q1421238		05	BCD	4KH1 engine
					BC	Except single cab vehicle model with 4JB1 engine, wheelbase of 2765, payload of 1.95T and crew cab vehicle model with payload of 1.75T M12×38

Rear-axle main reducer

4-25

Figure No.

S/N	Recommended specification / name of part				
	Isuzu figure No.	QingLing figure No.	Left/Right	Qty.	Applicable models / applicable status / notes
					A B C D
46	--- Combination bolt				
	0-50051-435-0	Q1421435		01	BCD 4KH1 engine BC Except single cab vehicle model with 4JB1 engine, wheelbase of 2765, payload of 1.95T and crew cab vehicle model with payload of 1.75T M14×35
49	--- Gasket - bearing spacer				
	8-94401-335-0			As required	BCD 4KH1 engine BC Except single cab vehicle model with 4JB1 engine, wheelbase of 2765, payload of 1.95T and crew cab vehicle model with payload of 1.75T Inside diameter =132 Thickness = 0.10
	8-94401-336-0			As required	BCD 4KH1 engine BC Except single cab vehicle model with 4JB1 engine, wheelbase of 2765, payload of 1.95T and crew cab vehicle model with payload of 1.75T Inside diameter =132 Thickness = 0.12
	8-94401-337-0			As required	BCD 4KH1 engine BC 4JB1 Except the engine for single cab vehicle model with payload of 1.95T and crew cab vehicle model with payload of 1.75T with wheel base of 2765 Inside diameter =132 Thickness = 0.14
	8-94401-338-0			As required	BCD 4KH1 engine BC Except single cab vehicle model with 4JB1 engine, wheelbase of 2765, payload of 1.95T and crew cab vehicle model with payload of 1.75T Inside diameter =132 Thickness = 0.16
	8-94401-339-0			As required	BCD 4KH1 engine BC Except single cab vehicle model with 4JB1 engine, wheelbase of 2765, payload of 1.95T and crew cab vehicle model with payload of 1.75T Inside diameter =132 Thickness = 0.18
	8-94401-340-0			As required	BCD 4KH1 engine BC Except single cab vehicle model with 4JB1 engine, wheelbase of 2765, payload of 1.95T and crew cab vehicle model with payload of 1.75T Inside diameter =132 Thickness = 0.20

4-25		Rear-axle main reducer				
Figure No.		Recommended specification / name of part				
S/N	Isuzu figure No.	QingLing figure No.	Left/Right	Qty.	Applicable models / applicable status / notes	
					A	B
						Wheelbase 2490mm
						Wheelbase 2765mm
						Wheelbase 3360mm
						Wheelbase 3815mm
50	---Bearing - drive bevel gear					
	5-09812-062-1	2402230-803		02	B	4KH1 engine
					B	Except single cab vehicle model with 4JB1 engine, wheelbase of 2765, payload of 1.95T and crew cab vehicle model with payload of 1.75T
51	---Gasket - bearing and driving bevel gear					
	9-41219-608-0			01	AB	Except single cab vehicle model with 4JB1 engine, wheelbase of 2765, payload of 2.2T and crew cab vehicle model with payload of 1.85T
	9-41219-610-0			01	AB	Outer diameter =89.5T=2.12 Except single cab vehicle model with 4JB1 engine, wheelbase of 2765, payload of 2.2T and crew cab vehicle model with payload of 1.85T
	9-41219-612-0			01	AB	Outer diameter =89.5T=2.16 Except single cab vehicle model with 4JB1 engine, wheelbase of 2765, payload of 2.2T and crew cab vehicle model with payload of 1.85T
	9-41219-614-0			01	AB	Outer diameter =89.5T=2.20 Except single cab vehicle model with 4JB1 engine, wheelbase of 2765, payload of 2.2T and crew cab vehicle model with payload of 1.85T
	9-41219-616-0			01	AB	Outer diameter =89.5T=2.24 Except single cab vehicle model with 4JB1 engine, wheelbase of 2765, payload of 2.2T and crew cab vehicle model with payload of 1.85T
	9-41219-618-0			01	AB	Outer diameter =89.5T=2.28 Except single cab vehicle model with 4JB1 engine, wheelbase of 2765, payload of 2.2T and crew cab vehicle model with payload of 1.85T
	9-41219-620-0			01	AB	Outer diameter =89.5T=2.32 4JB1 Except the engine for single cab vehicle model with payload of 2.2T and crew cab vehicle model with payload of 1.85T with wheel base of 2765
	9-41219-622-0			01	AB	Outer diameter =89.5T=2.36 Except single cab vehicle model with 4JB1 engine, wheelbase of 2765, payload of 2.2T and crew cab vehicle model with payload of 1.85T
						Outer diameter =89.5T=2.40



## Rear-axle main reducer

# 4-25

Figure No.

S/N	Recommended specification / name of part				
	Isuzu figure No.	QingLing figure No.	Left/Right	Qty.	Applicable models / applicable status / notes
					A B C D
51	<b>--- Gasket - bearing and driving bevel gear</b>				
	9-41219-624-0			01 AB	Except single cab vehicle model with 4JB1 engine, wheelbase of 2765, payload of 2.2T and crew cab vehicle model with payload of 1.85T Outer diameter =89.5T=2.44
	9-41219-626-0			01 AB	Except single cab vehicle model with 4JB1 engine, wheelbase of 2765, payload of 2.2T and crew cab vehicle model with payload of 1.85T Outer diameter =89.5T=2.48
	9-41219-628-0			01 AB	Except single cab vehicle model with 4JB1 engine, wheelbase of 2765, payload of 2.2T and crew cab vehicle model with payload of 1.85T Outer diameter =89.5T=2.52
	9-41219-630-0			01 AB	Except single cab vehicle model with 4JB1 engine, wheelbase of 2765, payload of 2.2T and crew cab vehicle model with payload of 1.85T Outer diameter =89.5T=2.56
55	<b>--- Reducer housing assembly</b>				
		2402051-10		01 AB	Except single cab vehicle model with 4jb1 engine, wheelbase of 2765, payload of 2.2t and crew cab vehicle model with payload of 1.85t Outer diameter =89.5t=2.44
		2402051-15		01 BCD BC	4KH1 engine Except single cab vehicle model with 4JB1 engine, wheelbase of 2765, payload of 1.95T and crew cab vehicle model with payload of 1.75T
56	<b>--- Bolt - differential bearing cap and reducer housing</b>				
	8-94365-377-3			04 ABCD	M14×80
60	<b>--- Driving/driven gear pair</b>				
	8-97035-433-0	2402210-802		01 AB	Except single cab vehicle model with 4JB1 engine, wheelbase of 2765, payload of 2.2T and crew cab vehicle model with payload of 1.85T 39/7

4-25		Rear-axle main reducer					
Figure No.		Recommended specification / name of part					
S/N	Isuzu figure No.	QingLing figure No.	Left/Right	Qty	Applicable models / applicable status / notes		
					A	Wheelbase 2490mm	
					B	Wheelbase 2765mm	
					C	Wheelbase 3360mm	
					D	Wheelbase 3815mm	
60	--- Driving/driven gear pair						
	8-97320-103-0	2402210-803		01	BCD	4KH1 engine	
					BC	Except single cab vehicle model with 4JB1 engine, wheelbase of 2765, payload of 1.95T and crew cab vehicle model with payload of 1.75T	
						43/7	
61	--- Bearing retainer						
	5-41227-001-0	2402270-803		01	BCD	4KH1 engine	
					BC	Except single cab vehicle model with 4JB1 engine, wheelbase of 2765, payload of 1.95T and crew cab vehicle model with payload of 1.75T	
	9-41227-601-0	2402275-803		01	BCD	(A) 4KH1 engine	
					BC	Except single cab vehicle model with 4JB1 engine, wheelbase of 2765, payload of 1.95T and crew cab vehicle model with payload of 1.75T	
63	--- Bearing - drive bevel gear						
	8-97107-548-0	2402230-803		01	BCD	4KH1 engine	
					BC	Except single cab vehicle model with 4JB1 engine, wheelbase of 2765, payload of 1.95T and crew cab vehicle model with payload of 1.75T	
64	--- Nut - bearing retainer						
	0-91150-106-0	Q32006		02	BCD	4KH1 engine	
					BC	Except single cab vehicle model with 4JB1 engine, wheelbase of 2765, payload of 1.95T and crew cab vehicle model with payload of 1.75T	
						M6	
66	--- Retainer - drive bevel gear						
	9-09752-002-0			01	BCD	4KH1 engine	
					BC	Except single cab vehicle model with 4JB1 engine, wheelbase of 2765, payload of 1.95T and crew cab vehicle model with payload of 1.75T	

Rear-axle main reducer

4-25

Figure No.

S/N	Recommended specification / name of part				
	Isuzu figure No.	QingLing figure No.	Left/Right	Qty.	Applicable models / applicable status / notes
					A B C D
69	<b>--- Connecting disk</b>				
	5-41121-001-0	2402249-803		02	BCD 4KH1 engine BC Except single cab vehicle model with 4JB1 engine, wheelbase of 2765, payload of 1.95T and crew cab vehicle model with payload of 1.75T M110 H=10
70	<b>--- Bearing - differential</b>				
	9-00032-211-0	2402260-802		02	AB Except single cab vehicle model with 4JB1 engine, wheelbase of 2765, payload of 2.2T and crew cab vehicle model with payload of 1.85T
	9-00093-602-0	2402260-803		02	BCD 4KH1 engine BC Except single cab vehicle model with 4JB1 engine, wheelbase of 2765, payload of 1.95T and crew cab vehicle model with payload of 1.75T
71	<b>--- Differential mechanism assembly</b>				
	9-41510-605-0	2403010-10		01	AB Except single cab vehicle model with 4JB1 engine, wheelbase of 2765, payload of 2.2T and crew cab vehicle model with payload of 1.85T
	8-97035-389-0	2403010-15		01	BCD 4KH1 engine BC Except single cab vehicle model with 4JB1 engine, wheelbase of 2765, payload of 1.95T and crew cab vehicle model with payload of 1.75T
73	<b>--- Adjusting shim - differential housing assembly</b>				
	9-41519-009-0			As required	AB Except single cab vehicle model with 4JB1 engine, wheelbase of 2765, payload of 2.2T and crew cab vehicle model with payload of 1.85T T=0.50
	9-41519-010-0			As required	AB Except single cab vehicle model with 4JB1 和 engine, wheelbase of 2765, payload of 2.2T and crew cab vehicle model with payload of 1.85T T=0.50
	9-41519-601-0			As required	AB Except single cab vehicle model with 4JB1 engine, wheelbase of 2765, payload of 2.2T and crew cab vehicle model with payload of 1.85T T=0.30

4-25		Rear-axle main reducer				
Figure No.						
S/N	Recommended specification / name of part					
	Isuzu figure No.	QingLing figure No.	Left/Right	Qty.	Applicable models / applicable status / notes	
A					Wheelbase 2490mm	
				B	Wheelbase 2765mm	
				C	Wheelbase 3360mm	
				D	Wheelbase 3815mm	
73	--- Adjusting shim- differential housing assembly					
	9-41519-602-0			As required	AB Except single cab vehicle model with 4JB1 engine, wheelbase of 2765, payload of 2.2T and crew cab vehicle model with payload of 1.85T T=0.35	
82	--- Spider - differential					
	9-41521-611-0	2402247-802		01	AB Except single cab vehicle model with 4JB1 engine, wheelbase of 2765, payload of 2.2T and crew cab vehicle model with payload of 1.85T	
	5-41521-008-0	2402247-803		01	BCD 4KH1 engine	
					BC Except single cab vehicle model with 4JB1 engine, wheelbase of 2765, payload of 1.95T and crew cab vehicle model with payload of 1.75T	
83	--- Left and right differential housing assembly					
	9-41510-610-0	2403060-10		01	AB Except single cab vehicle model with 4JB1 engine, wheelbase of 2765, payload of 2.2T and crew cab vehicle model with payload of 1.85T	
	8-94159-027-0	2403060-15		01	BCD 4KH1 engine	
					BC Except single cab vehicle model with 4JB1 engine, wheelbase of 2765, payload of 1.95T and crew cab vehicle model with payload of 1.75T	
84	--- Bolt - connect driven bevel gear and differential mechanism					
	9-09606-505-2			12	AB Except single cab vehicle model with 4JB1 engine, wheelbase of 2765, payload of 2.2T and crew cab vehicle model with payload of 1.85T	
	8-97318-938-1	2400131-803		12	BCD 4KH1 engine	
					BC Except single cab vehicle model with 4JB1 engine, wheelbase of 2765, payload of 1.95T and crew cab vehicle model with payload of 1.75T	
85	--- Nut - connect the left and right differential housing					
	0-91150-210-0	Q32010T13		12	BCD 4KH1 engine	
					BC Except single cab vehicle model with 4JB1 engine, wheelbase of 2765, payload of 1.95T and crew cab vehicle model with payload of 1.75T (A)、(B) M10	

Rear-axle main reducer

4-25

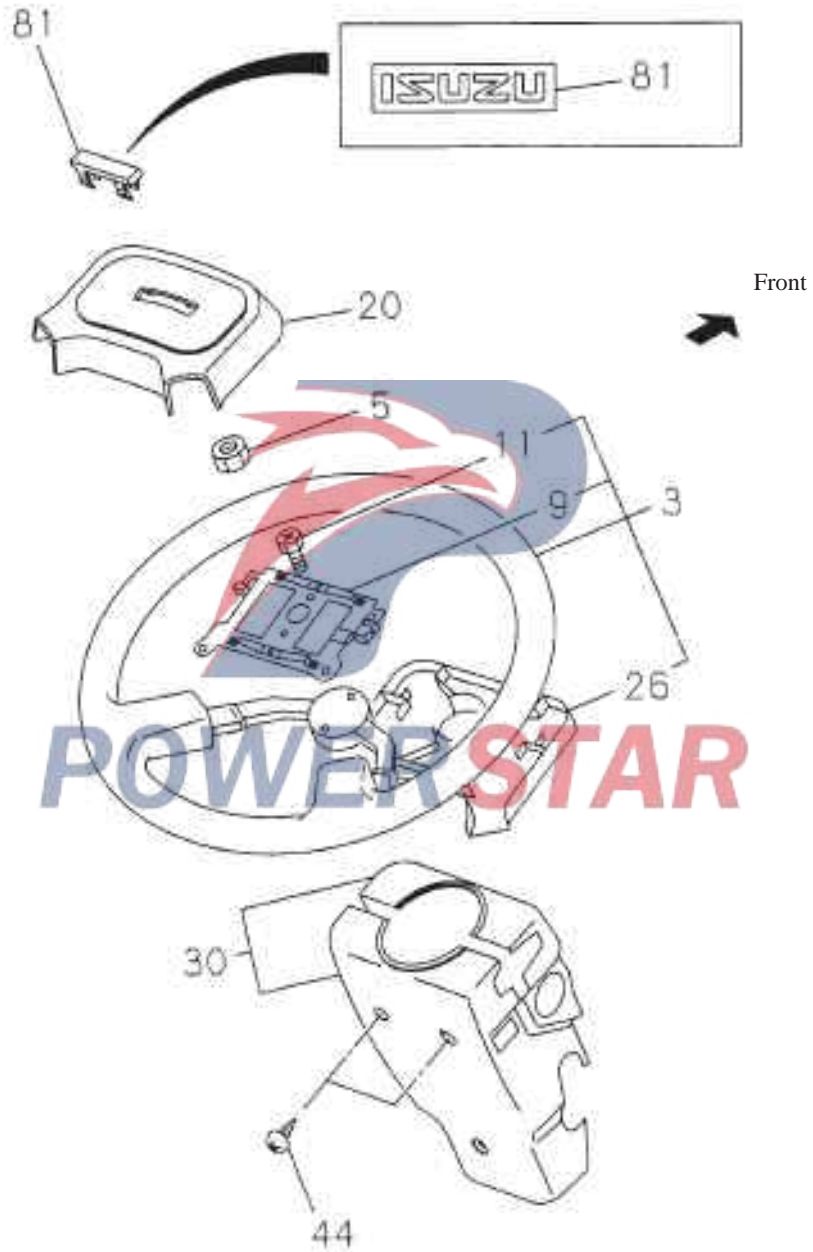
Figure No.

S/N	Recommended specification / name of part				
	Isuzu figure No.	QingLing figure No.	Left/Right	Qty.	Applicable models / applicable status / notes
					A B C D
					Wheelbase 2490mm Wheelbase 2765mm Wheelbase 3360mm Wheelbase 3815mm
86	--- Washer - differential				
	9-09651-116-0	Q40010		24	BCD 4KH1 engine BC Except single cab vehicle model with 4JB1 engine, wheelbase of 2765, payload of 1.95T and crew cab vehicle model with payload of 1.75T Inside diameter = 10 Outside diameter = 18 Thickness = 2
88	--- Adjusting washer - bearing adjusting nut				
	8-97027-281-0	2400124-803		As required	BCD 4KH1 engine BC Except single cab vehicle model with 4JB1 engine, wheelbase of 2765, payload of 1.95T and crew cab vehicle model with payload of 1.75T
	8-97027-282-0	2400125-803		As required	(A) BCD 4KH1 engine BC Except single cab vehicle model with 4JB1 engine, wheelbase of 2765, payload of 1.95T and crew cab vehicle model with payload of 1.75T
89	--- Bolt - bearing adjusting nut				
	0-28080-816-0	Q1840816		02	BCD 4KH1 engine BC Except single cab vehicle model with 4JB1 engine, wheelbase of 2765, payload of 1.95T and crew cab vehicle model with payload of 1.75T M8×16
100	--- Rear axle reducer housing - drive bevel gear				
	8-94408-084-1	2402250-802		01	AB Except single cab vehicle model with 4JB1 engine, wheelbase of 2765, payload of 2.2T and crew cab vehicle model with payload of 1.85T
	8-94408-083-0	2402250-803		01	BCD 4KH1 engine BC Except single cab vehicle model with 4JB1 engine, wheelbase of 2765, payload of 1.95T and crew cab vehicle model with payload of 1.75T
161	--- Heavy duty spring washer				
	9-09150-612-0	Q40512		08	AB Except single cab vehicle model with 4JB1 engine, wheelbase of 2765, payload of 2.2T and crew cab vehicle model with payload of 1.85T Inside diameter =12

4-30

Steering wheel and steering pillar housing

Figure No.

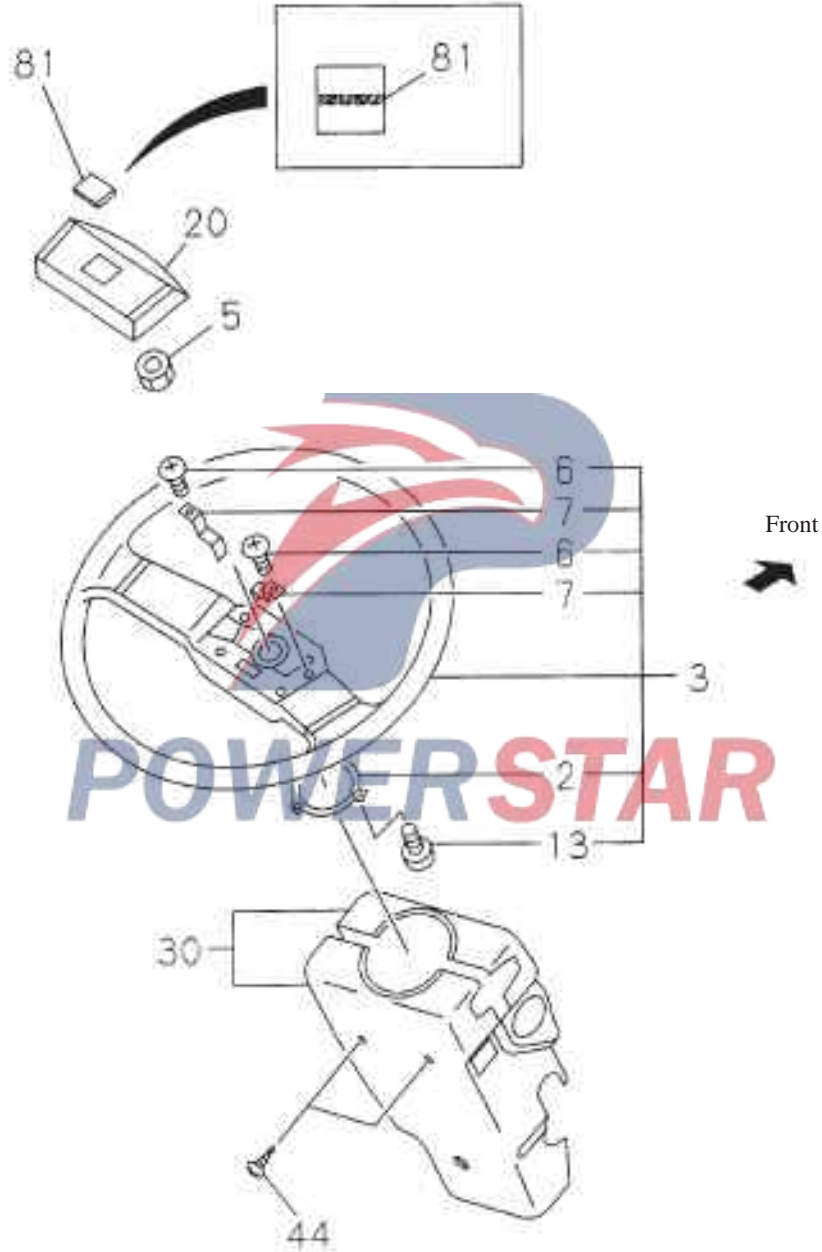




# Steering wheel and steering pillar housing

4-30

Figure No.



4-30		Steering wheel and steering pillar housing				
Figure No.		Recommended specification / name of part				
S/N	Isuzu figure No.	QingLing figure No.	Left/Right	Qty.	Applicable models / applicable status / notes	
					A	Wheelbase 2490mm
					B	Wheelbase 2765mm
					C	Wheelbase 3360mm
					D	Wheelbase 3815mm
2	--- Washer - horn					
	8-94150-223-0			01	ABCD	
3	---Steering wheel assembly wheel					
	8-97158-727-0	3402100-861B		01	ABCD	
5	---Thin nut - steering					
	9-99111-414-0	Q351B14		01	ABCD	M14
6	--- Screw - horn					
	8-94458-316-0			02	ABCD	
7	--- Reed - horn					
	8-94150-222-0			02	ABCD	
9	--- Connecting plate - horn					
	8-97076-688-1			01	ABCD	
11	--- Screw - connecting plate					
	8-97076-690-1			01	ABCD	
13	--- Screw					
	9-07076-310-0			03	ABCD	M3× 10
20	--- Horn cover					
	8-97158-724-0	3402211-861		01	ABCD	



## Steering wheel and steering pillar housing

# 4-30

Figure No.

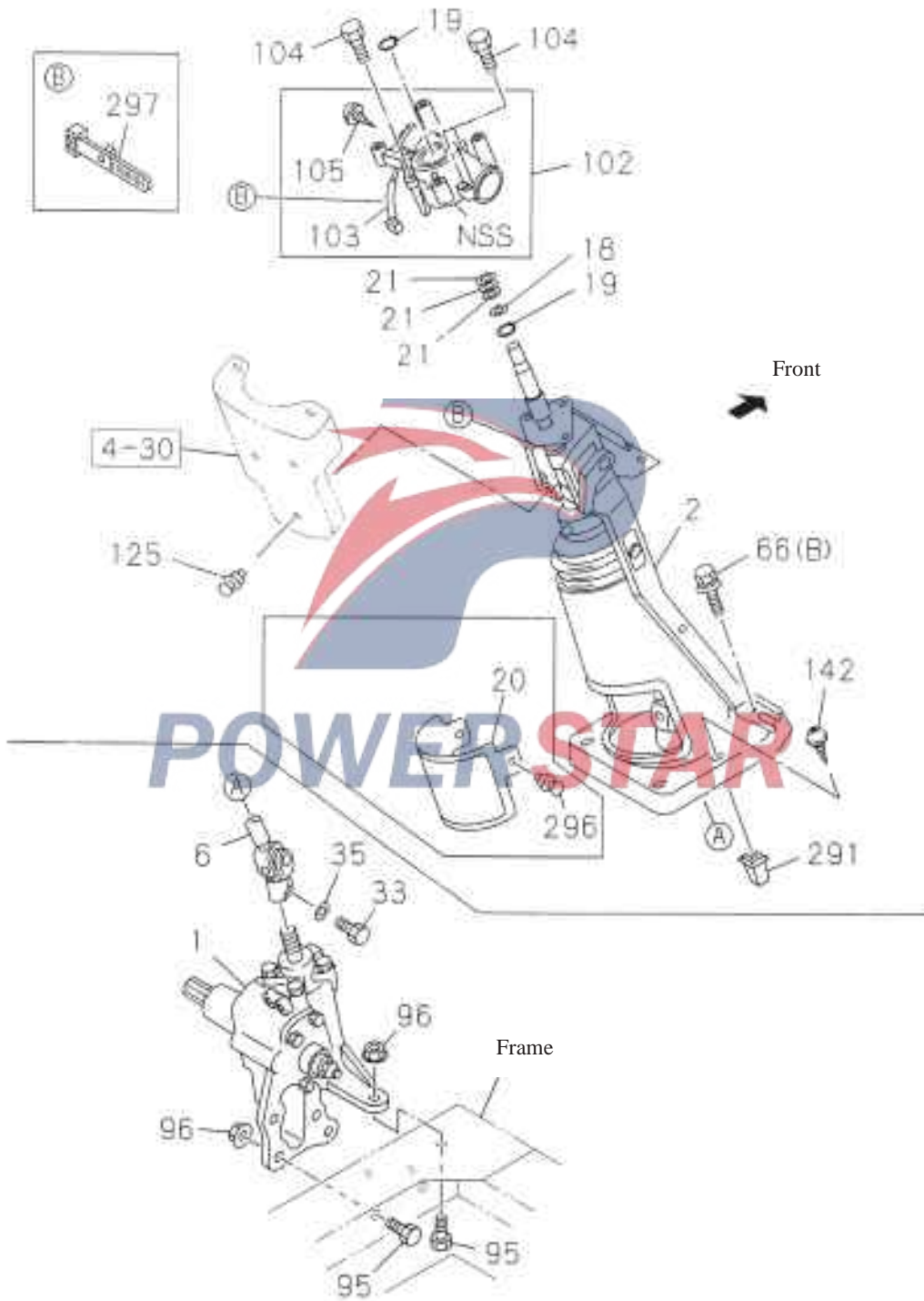
S/N	Recommended specification / name of part				
	Isuzu figure No.	QingLing figure No.	Left/Right	Qty.	Applicable models / applicable status / notes
					A _____ Wheelbase 2490mm
					B _____ Wheelbase 2765mm
					C _____ Wheelbase 3360mm
					D _____ Wheelbase 3815mm
26	--- Lower cover - steering wheel				
	8-97098-534-1			01	ABCD
30	--- Steering pillar housing				
	8-978683587	3400101-10		01	ABCD
44	--- Screw - steering pillar				
	8-94279-400-0	3400122-803		02	ABCD M5× 16
81	--- "ISUZU" sign - steering wheel				
	8-97158-725-0	3402212-861		01	ABCD

# POWERSTAR

# 4-31

## Steering pillar and shaft

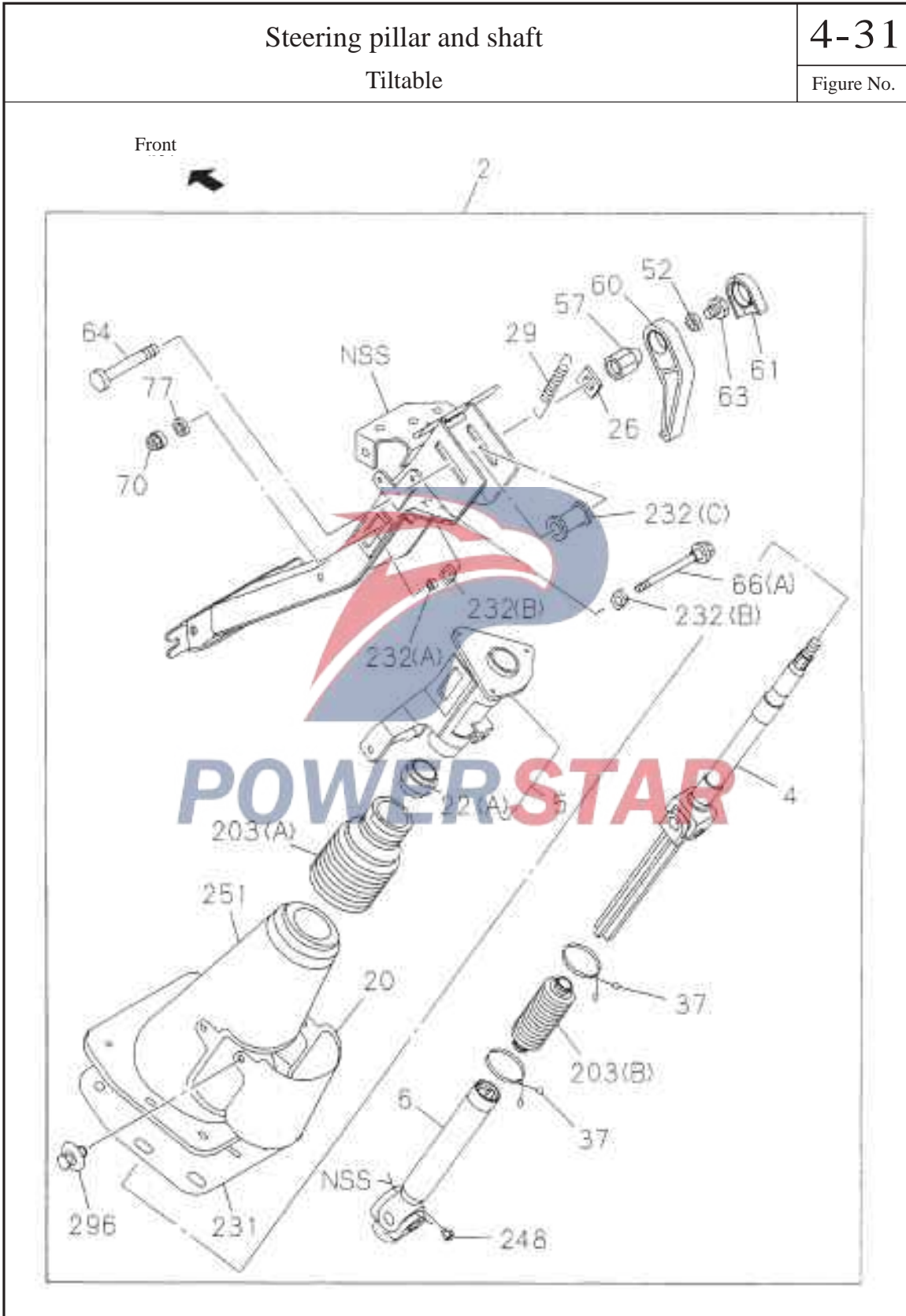
Figure No.



# Steering pillar and shaft Tilttable

4-31

Figure No.

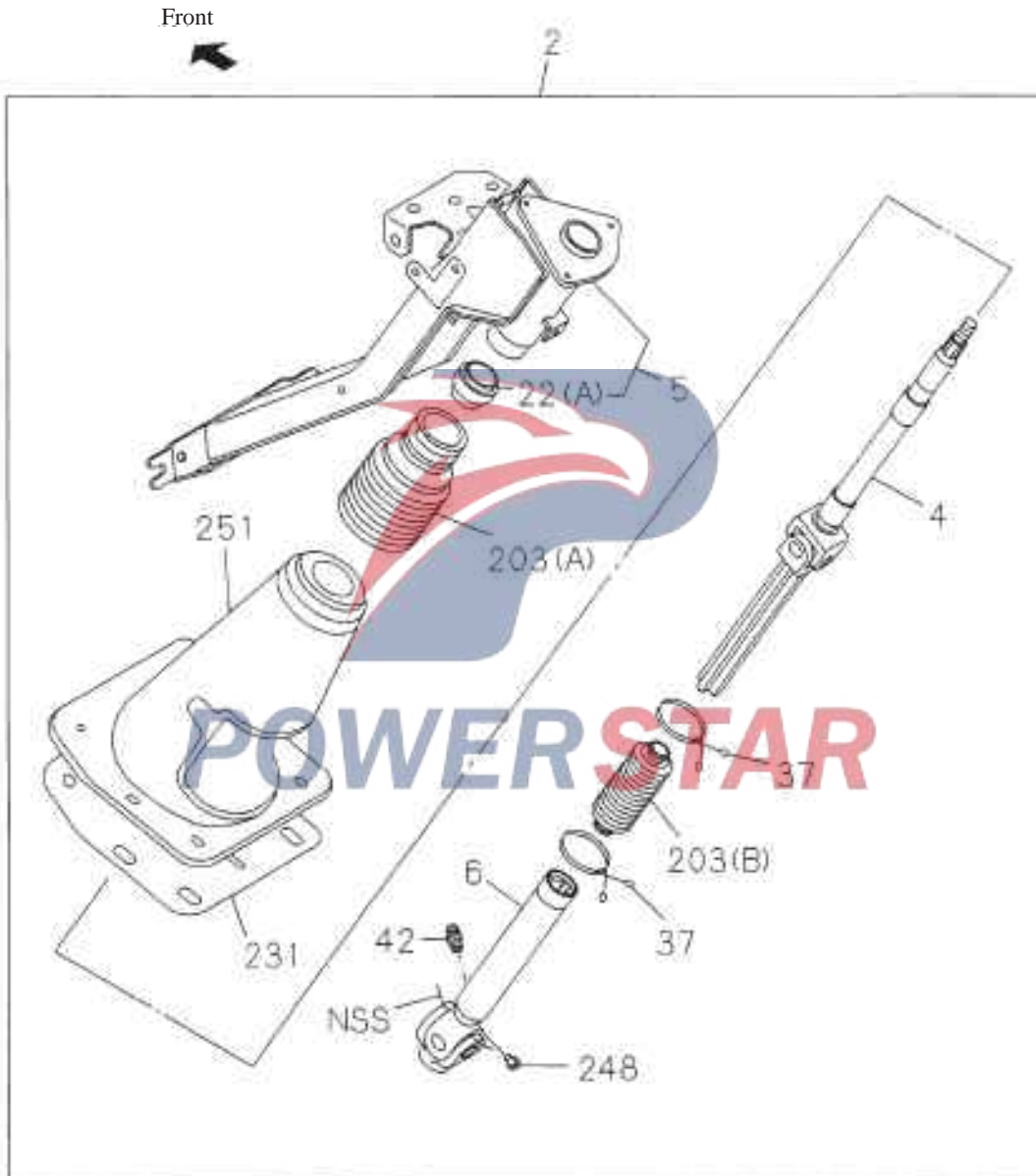


# 4-31

## Steering pillar and shaft

Figure No.

Non tiltable



## Steering pillar and shaft

# 4-31

Figure No.

S/N	Recommended specification / name of part					
	Isuzu figure No.	QingLing figure No.	Left/Right	Qty.	Applicable models / applicable status / notes	
					A B C D	Wheelbase 2490mm Wheelbase 2765mm Wheelbase 3360mm Wheelbase 3815mm
1	<b>--- Steering gear assy</b>					
	8-97356-105-1			01	ABCD	Driving force steering
	8-97069-706-0	3400010-803		01	ABCD	
2	<b>--- Steering pillar and axle assembly</b>					
	8-97398-853-0			01	ABCD	
4	<b>--- Steering pillar</b>					
	8-97351-830-0			01	ABCD	
5	<b>--- Steering pillar bracket</b>					
	8-97146-719-0			01	ABCD	
6	<b>--- Universal joint - steering shaft</b>					
	8-97378-632-0			01	ABCD	
18	<b>--- Flat washer</b>					
	8-94146-919-0			01	ABCD	Inside diameter =19
19	<b>--- Split ring</b>					
	9-09180-019-0			02	ABCD	Inside diameter =17.5
20	<b>--- Decorative cover assembly - steering shaft</b>					
	8-97291-634-1	3402020-803		01	ABCD	
21	<b>--- Wave washer</b>					
	8-94174-865-0			03	ABCD	

4-31		Steering pillar and shaft				
Figure No.						
S/N	Recommended specification / name of part					
	Isuzu figure No.	QingLing figure No.	Left/Right	Qty.	Applicable models / applicable status / notes	
A B C D						
					Wheelbase 2490mm Wheelbase 2765mm Wheelbase 3360mm Wheelbase 3815mm	
22	--- Bushing - steering pillar					
	8-97076-821-0			01	ABCD (A)	
26	--- Washer					
	8-97222-989-0			01	ABCD	
29	--- Tension spring					
	8-97076-811-0			01	ABCD	
33	--- Bolt - locking of steering gear and steering shaft					
	8-94247-692-0			01	ABCD M8× 30	
35	--- Spring washer - locking of steering gear and steering shaft					
	9-09150-508-0	Q40308		01	ABCD Inside diameter =8.2	
37	--- Clamp					
	8-97173-630-0			02	ABCD	
42	--- Grease nozzle					
	8-97178-201-0			01	ABCD	
52	--- Washer					
	8-97076-813-0			01	ABCD	
57	--- Nut - adjusting bolt					
	8-97222-988-0			01	ABCD	

## Steering pillar and shaft

# 4-31

Figure No.

S/N	Recommended specification / name of part				
	Isuzu figure No.	QingLing figure No.	Left/Right	Qty.	Applicable models / applicable status / notes
					A B C D
					Wheelbase 2490mm
					Wheelbase 2765mm
					Wheelbase 3360mm
					Wheelbase 3815mm
60	--- Adjusting rod - steering pillar				
	8-97076-830-0			01	ABCD
61	--- Cover - steering pillar				
	8-97076-814-0			01	ABCD
63	--- Bolt - adjusting rod				
	8-97222-986-0			01	ABCD
64	--- Bolt - steering pillar bracket				
	8-97222-987-0			01	ABCD
66	--- Bolt - steering pillar bracket				
	8-94279-208-0			04	ABCD (B) M8× 20
	8-97076-831-0			01	ABCD (A)
70	--- Nut - steering pillar bracket				
	8-97076-807-0			01	ABCD
77	--- Washer - steering pillar bracket				
	8-97076-804-0			01	ABCD
95	--- Bolt - steering gear assembly to car frame				
	8-97212-810-1			05	ABCD M12× 45

4-31		Steering pillar and shaft				
Figure No.		Recommended specification / name of part				
S/N	Isuzu figure No.	QingLing figure No.	Left/Right	Qty.	Applicable models / applicable status / notes	
					A	Wheelbase 2490mm
					B	Wheelbase 2765mm
					C	Wheelbase 3360mm
					D	Wheelbase 3815mm
96	--- Nut - steering gear assembly to car frame					
	8-94436-194-0			05	ABCD	M12
102	--- Steering lock assembly					
	8-97170-364-0			01	ABC	4JB1 engine
103	--- Ignition switch					
	8-97088-268-0			01	ABCD	
104	--- Bolt - steering lock					
	8-97189-885-0	3400124-803		03	ABCD	M6× 30
105	--- Screw - ignition lock					
	9-03910-412-0			01	ABCD	M4× 12
125	--- Fixing nail					
	8-97868-409-0			01	ABCD	
142	--- Tapping combined screw - steering pillar to the floor					
	0-74305-520-0	Q2214825		06	ABCD	M5× 20



## Steering pillar and shaft

# 4-31

Figure No.

S/N	Recommended specification / name of part				
	Isuzu figure No.	QingLing figure No.	Left/Right	Qty.	Applicable models / applicable status / notes
					A B C D
203	<b>--- Dust cover - steering pillar</b>				
	8-97076-822-0			01	ABCD (A)
231	<b>--- Liner - steering pillar housing</b>				
	8-97173-628-0			01	ABCD
232	<b>--- Adjusting liner - steering pillar bracket</b>				
	8-97076-805-0			02	ABCD (B)
	8-97076-806-0			01	ABCD (A)
	8-97148-277-0			01	ABCD (C)
248	<b>--- Screw - universal joint</b>				
	8-97222-984-0			01	ABCD
251	<b>--- Houosing—Steering pillar</b>				
	8-97159-168-1			01	ABCD Non tiltable
	8-97159-175-0	0303-0311		01	ABCD Tiltable
291	<b>--- Nut - steering pillar to the floor</b>				
	8-94463-268-1			06	ABCD Height = 15

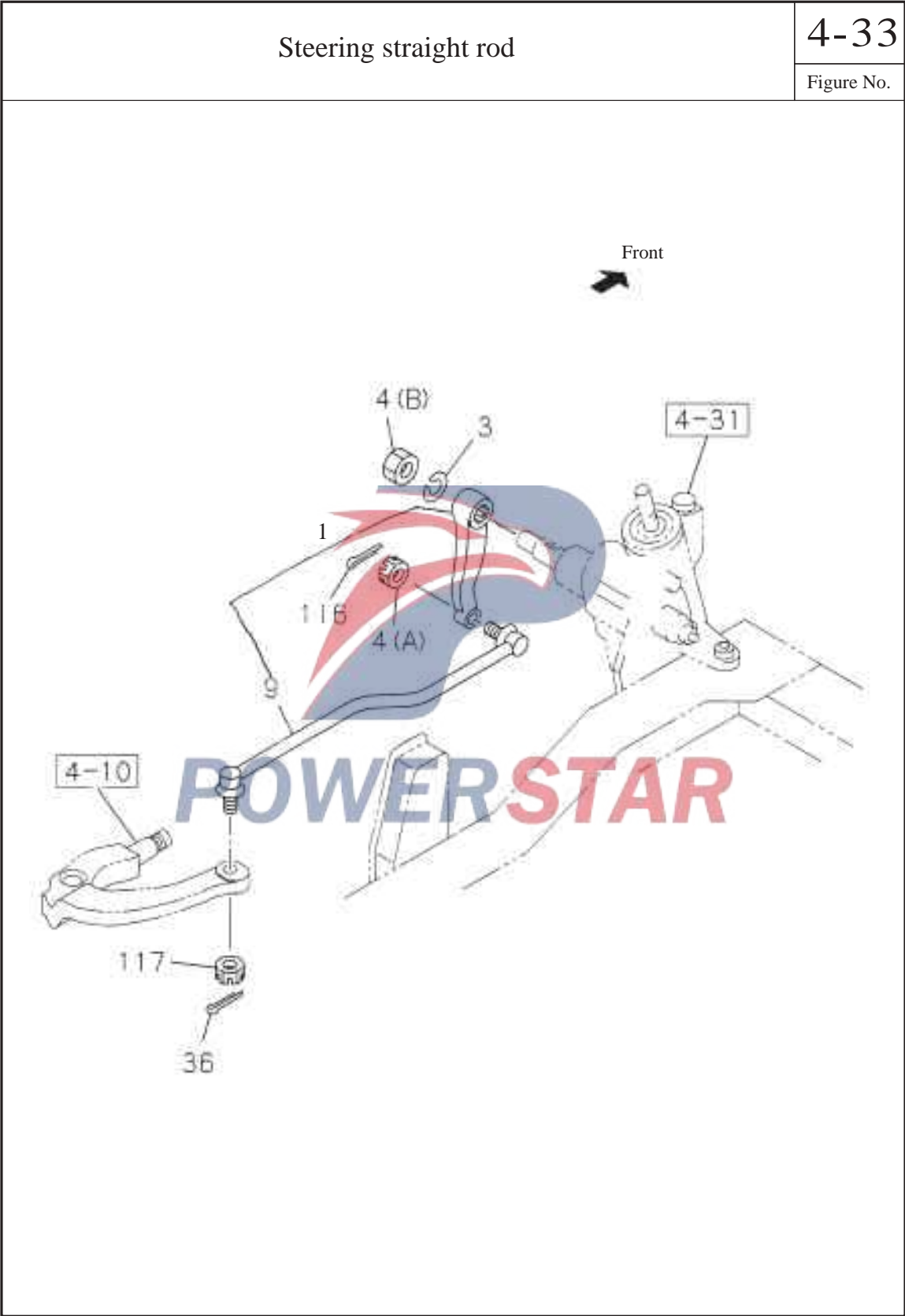
4-31		Steering pillar and shaft				
Figure No.						
S/N	Recommended specification / name of part					
	Isuzu figure No.	QingLing figure No.	Left/Right	Qty.	Applicable models / applicable status / notes	
A					B	C
296	--- Clamping piece - decorative cover assembly					
	8-97868-409-0			01	ABCD	
297	--- Strap					
	8-94257-575-1			03	ABCD	
					Length = 145	



# Steering straight rod

4-33

Figure No.

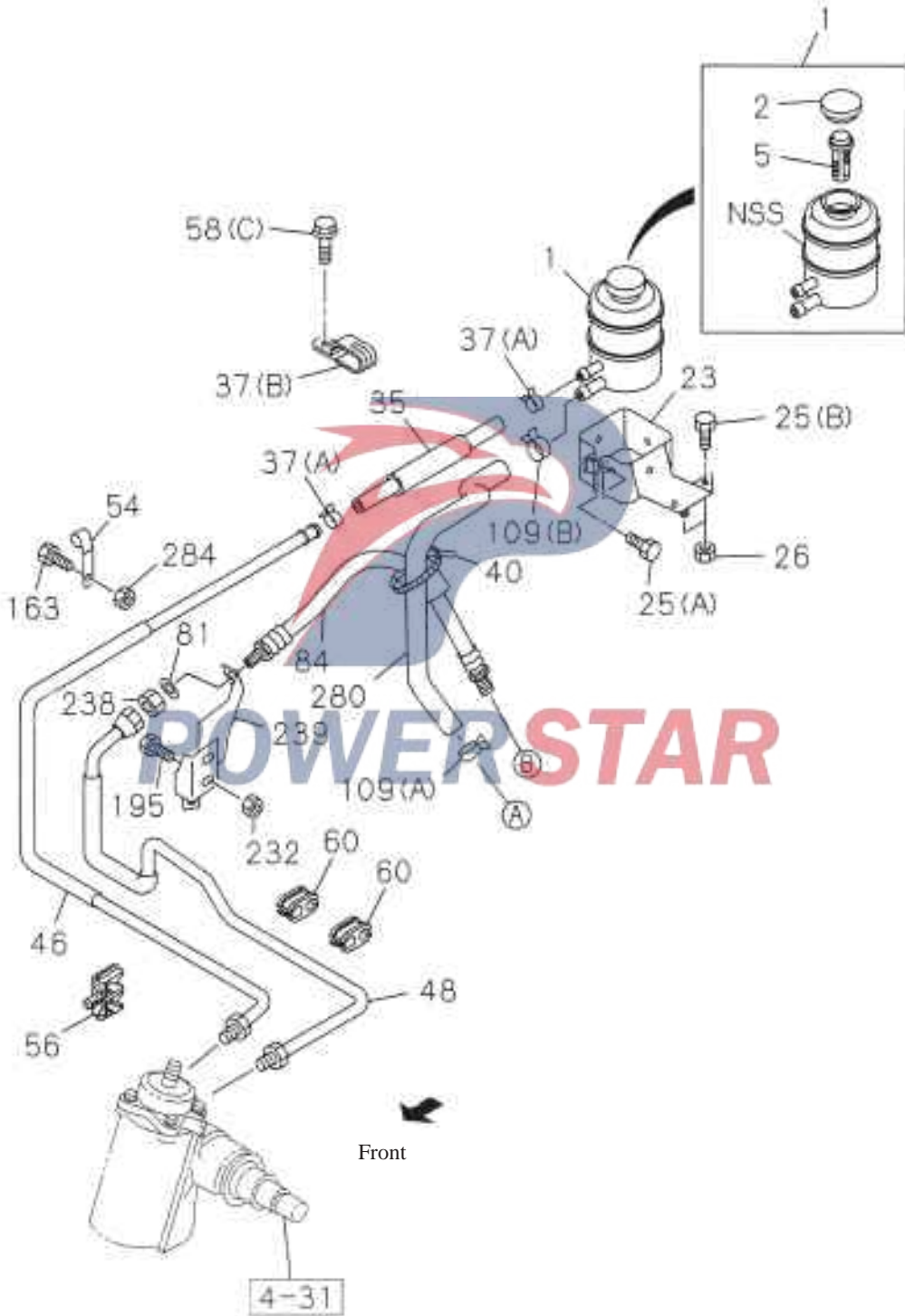


4-33		Steering straight rod				
Figure No.						
S/N	Recommended specification / name of part					
	Isuzu figure No.	QingLing figure No.	Left/Right	Qty.	Applicable models / applicable status / notes	
A					Wheelbase 2490mm	
					B	Wheelbase 2765mm
					C	Wheelbase 3360mm
					D	Wheelbase 3815mm
1	--- Steering drag link with plumbing arm assembly					
		S3003050-10		01	ABC	Only for 4JB1 engine
		S3003050-861		01	BCD	Only 4KH1 engine
3	--- Spring washer - steering plumbing arm to the steering gear					
	9-09150-522-0	Q40322		01	ABCD	Inside diameter =22
4	--- Thin nut - steering plumbing arm to the steering gear					
	9-09111-522-0	Q351B22T		01	ABCD	(B) M22
9	--- Drag link					
	8-97175-323-0			01	ABCD	
36	--- Split pin - drag link and curved arm					
		Q5004036		01	ABCD	Length = 19
116	--- Split pin - drag link and plumbing arm					
		Q5004036		01	ABCD	Length = 19
117	--- Nut - drag link and curved arm					
		3023051-10		01	ABCD	M18

Power steering pipelines  
Car frame side

4-35

Figure No.

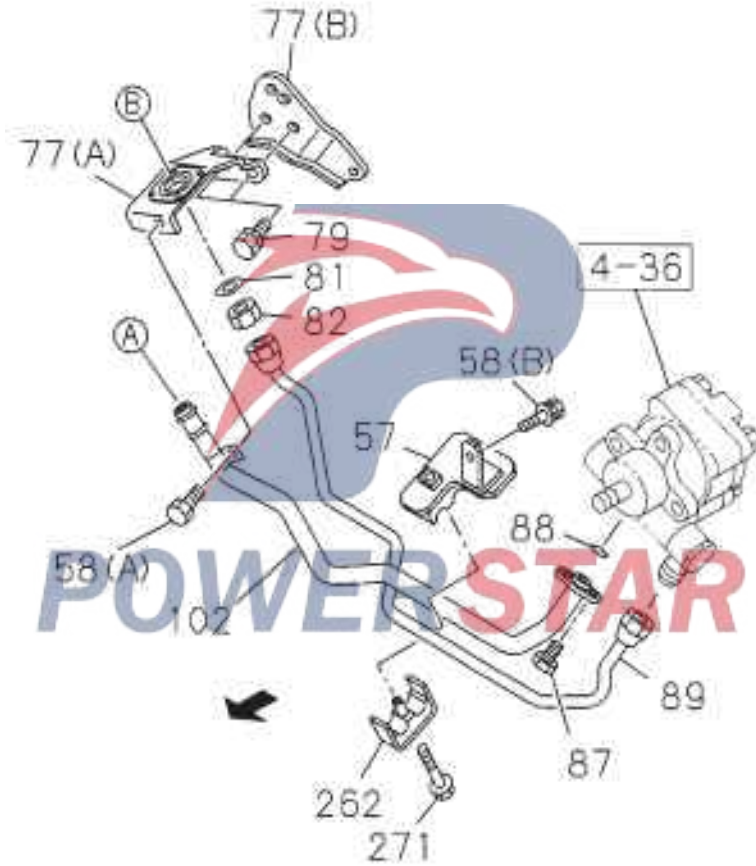


4-35

### Power steering pipelines

Figure No.

Engine side



Power steering pipelines

4-35

Figure No.

S/N	Recommended specification / name of part				
	Isuzu figure No.	QingLing figure No.	Left/Right	Qty.	Applicable models / applicable status / notes
					A B C D
1	--- Oil storage tank assembly - power-assisted steering				
	8-97107-987-0			01	ABCD
2	--- Oil storage tank cap - oil storage tank				
	8-94146-153-2			01	ABCD
5	--- Suction filter - oil storage tank				
	8-97094-732-0			01	ABCD
23	--- Bracket - oil storage tank				
	8-97066-500-3			01	ABC Only for 4JB1 engine
	8-97289-416-0			01	BCD Only 4KH1 engine
25	--- Bolt - oil storage tank bracket				
	0-28680-825-0			01	ABCD (B) M8× 25
	0-28480-620-0			01	ABCD (A) M8× 20
26	--- Nut - oil storage tank bracket				
	0-91150-108-0			01	ABCD M8
35	--- Oil inlet hose - oil storage tank				
	8-97081-444-3			01	ABC Only for 4JB1 engine
	8-97289-444-1			01	BCD Only 4KH1 engine



4-35		Power steering pipelines				
Figure No.						
S/N	Recommended specification / name of part					
	Isuzu figure No.	QingLing figure No.	Left/Right	Qty.	Applicable models / applicable status / notes	
A					B	C
					Wheelbase 2490mm	
					Wheelbase 2765mm	
					Wheelbase 3360mm	
					Wheelbase 3815mm	
37	--- Pipe clamp - oil outlet tube					
	8-94238-568-0			02	ABC Only for 4JB1 engine (A) Inside diameter =16	
	1-09700-988-0			01	BCD Only 4KH1 engine (B)	
40	--- Strap					
	5-09707-030-1			01	ABCD Length = 250 Oil	
46	--- pipe assembly - steering gear and oil storage tank					
	8-97356-185-0			01	ABC Only for 4JB1 engine	
	8-97356-186-0			01	BCD Only 4KH1 engine	
48	--- Oil pipe assembly - steering gear and pipe joint					
	8-97356-184-0			01	ABCD	
54	--- Clamping piece - oil tube					
	8-94259-342-0			01	ABCD Inner diameter =11 Length =40	
56	--- Pipe clamp - oil tube					
	8-97018-546-0			01	ABCD Height =33 Inner diameter =10	
57	--- Bracket - oil tube					
	8-97312-558-1			01	ABCD	

4-35

Figure No.

Power steering pipelines

S/N	Recommended specification / name of part				
	Isuzu figure No.	QingLing figure No.	Left/Right	Qty.	Applicable models / applicable status / notes
					A B C D
					Wheelbase 2490mm Wheelbase 2765mm Wheelbase 3360mm Wheelbase 3815mm
58	--- Bolt				
	8-94279-112-0			01	ABCD (A) M6× 20
	8-94329-953-1			01	ABCD (B) M8× 22
60	--- Guard sleeve - oil tube				
	8-94252-455-2			02	ABCD (C) Only 4KH1 engine M6× 25
77	--- Bracket -				
	8-97075-615-0			01	ABC Only for 4JB1 engine (B)
79	--- Bolt - bracket				
	8-97240-137-0			01	BCD Only 4KH1 engine (B)
81	--- Washer				
	0-50040-820-0			02	ABCD M8× 20
82	--- Nut				
	9-09151-216-0			02	ABCD Inside diameter =16
	8-94370-339-0			01	ABCD M16

4-35		Power steering pipelines				
Figure No.						
S/N	Recommended specification / name of part					
	Isuzu figure No.	QingLing figure No.	Left/Right	Qty.	Applicable models / applicable status / notes	
A					B	C
					Wheelbase 2490mm	
					Wheelbase 2765mm	
					Wheelbase 3360mm	
					Wheelbase 3815mm	
84	--- Oil tube - to steering gear					
	8-97358-328-0			01	ABC Only for 4JB1 engine	
	8-97358-341-0			01	BCD Only 4KH1 engine	
87	--- Bolt - oil tube					
	0-28080-812-0			02	ABCD M8× 12	
88	--- O-ring - oil tube					
	9-09561-111-0			01	ABCD Inside diameter =11.0	
89	--- Oil inlet pipe - booster pump					
	8-97312-556-0			01	ABCD	
102	--- Oil outlet tube - booster pump					
	8-97312-557-1			01	ABCD	
109	--- Pipe clamp - oil tube					
	8-94242-034-0			01	ABCD (A) Inside diameter =21	
	8-94382-401-0			01	ABCD (B) Inside diameter =22	
163	--- Bolt - oil tube					
	0-28680-825-0			01	ABCD M8× 25	

4-35

Power steering pipelines

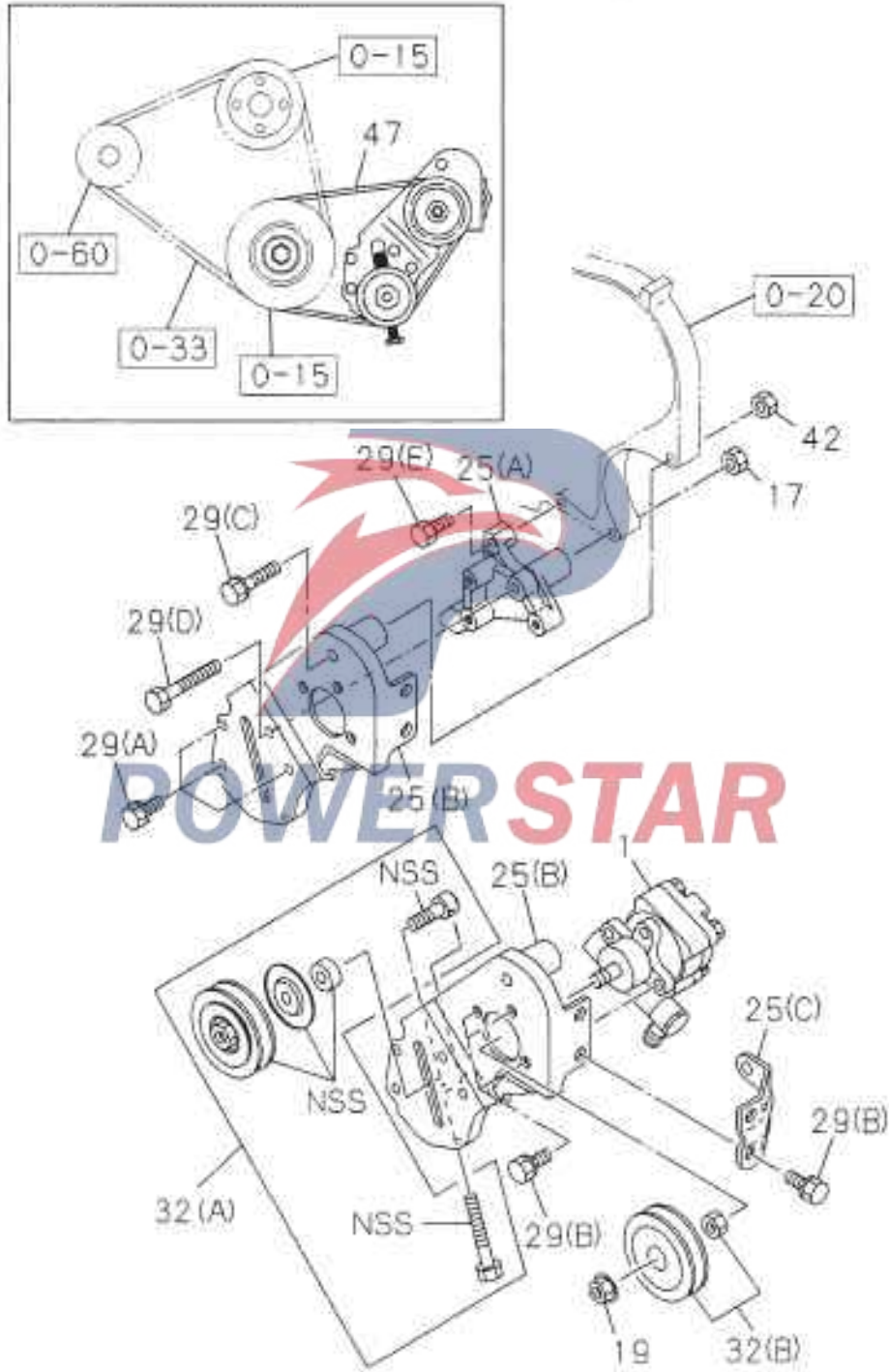
Figure No.

S/N	Recommended specification / name of part				
	Isuzu figure No.	QingLing figure No.	Left/Right	Qty.	Applicable models / applicable status / notes
					A B C D
					Wheelbase 2490mm Wheelbase 2765mm Wheelbase 3360mm Wheelbase 3815mm
195	--- Bolt - bracket				
	0-28681-035-0			02	ABCD M10× 35
232	--- Nut - bracket				
	0-91150-110-0			02	ABCD M10
238	--- Nut - oil tube connection				
	8-94370-339-0			01	ABCD M16
239	--- bracket - oil tube				
	8-97092-085-1			01	ABCD
262	--- Pipe clamp - oil tube				
	8-97300-961-0			01	ABCD
271	--- Bolt - pipe clamp and oil tube				
	0-28680-840-0			01	ABCD M8× 40
280	--- Oil inlet pipe - booster pump and oil storage tank				
	8-97205-635-0			01	ABC Only for 4JB1 engine
	8-97315-641-1			01	BCD Only 4KH1 engine
284	--- Nut - oil pipes and clips				
	0-91150-108-0			01	ABCD M8

# 4-36

## Connector for power steering pump

Figure No.



# 4-36

Figure No.

## Connector for power steering pump

S/N	Recommended specification / name of part				
	Isuzu figure No.	QingLing figure No.	Left/Right	Qty.	Applicable models / applicable status / notes
					A B C D
1	--- Power steering pump				
	8-97354-730-0			01	ABCD Only for 4JB1 engine
17	--- Nut - booster pump bracket				
	0-91150-108-0			01	ABCD M8
19	--- Nut - booster pump pulley				
	8-94139-015-0			01	ABCD M12
25	--- Bracket - booster pump				
	8-97065-974-0			01	ABCD (B)
	8-97107-869-0			01	ABCD (A)
	8-97107-872-0			01	ABCD (C)
29	--- Bolt - bracket				
	0-28080-800-0			01	ABCD (D) M8× 100
	0-28080-816-0			03	ABCD (A) M8× 16
	0-28080-860-0			01	ABCD (E) M8× 60

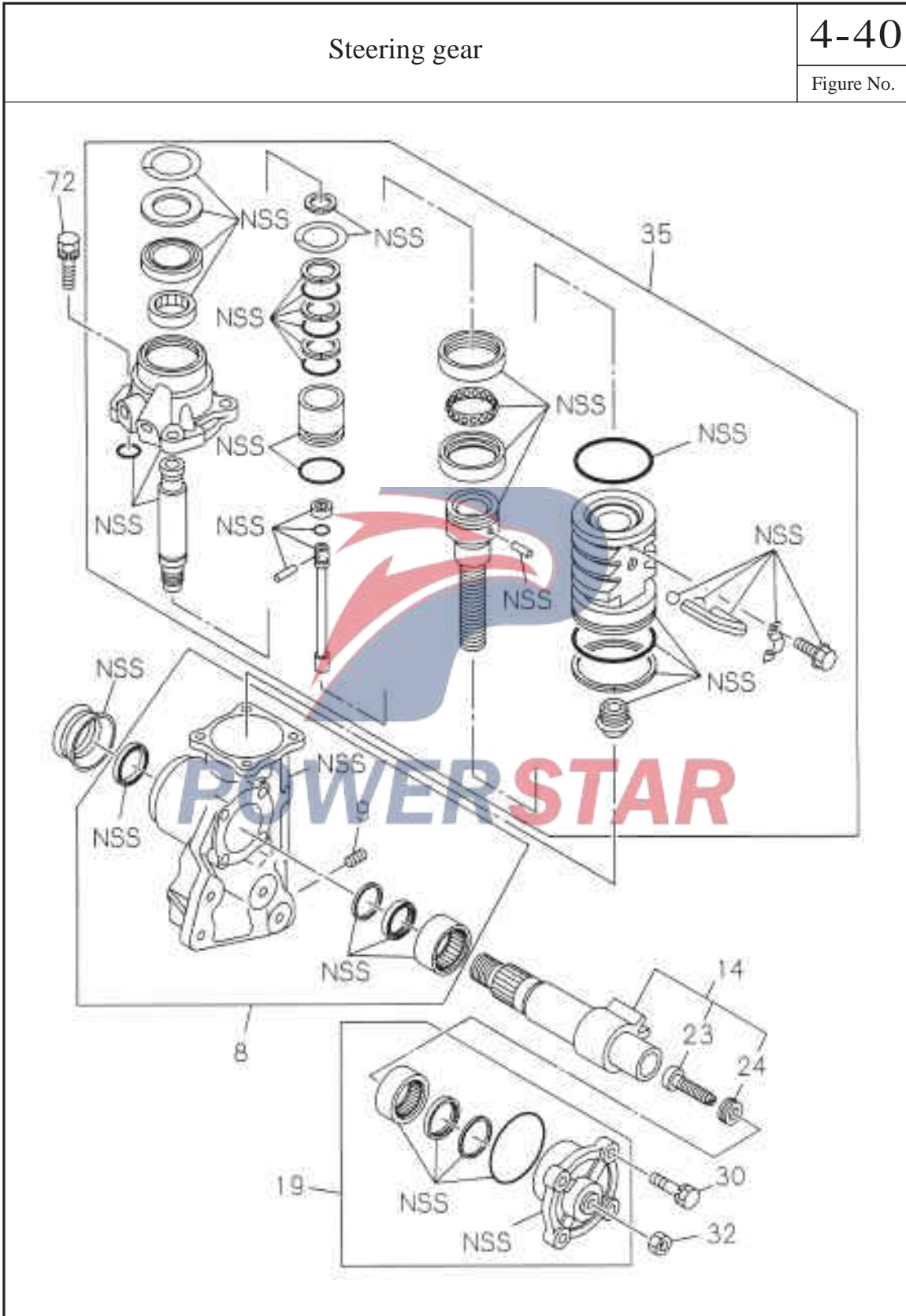
4-36		Connector for power steering pump				
Figure No.		Recommended specification / name of part				
S/N	Isuzu figure No.	QingLing figure No.	Left/Right	Qty.	Applicable models / applicable status / notes	
					A	Wheelbase 2490mm
					B	Wheelbase 2765mm
					C	Wheelbase 3360mm
					D	Wheelbase 3815mm
29	--- Bolt - bracket					
	0-28081-000-0			01	ABCD	(C) M10× 100
	0-28681-020-0			05	ABCD	(B) M10× 20
32	--- Pulley - booster pump					
	8-94128-866-0			01	ABCD	(A)
	8-97084-332-2			01	ABCD	(B)
42	--- Nut - bracket					
	0-91150-110-0			01	ABCD	M10
47	--- Belt - booster pump					
	8-97085-131-0			01	ABCD	



# Steering gear

4-40

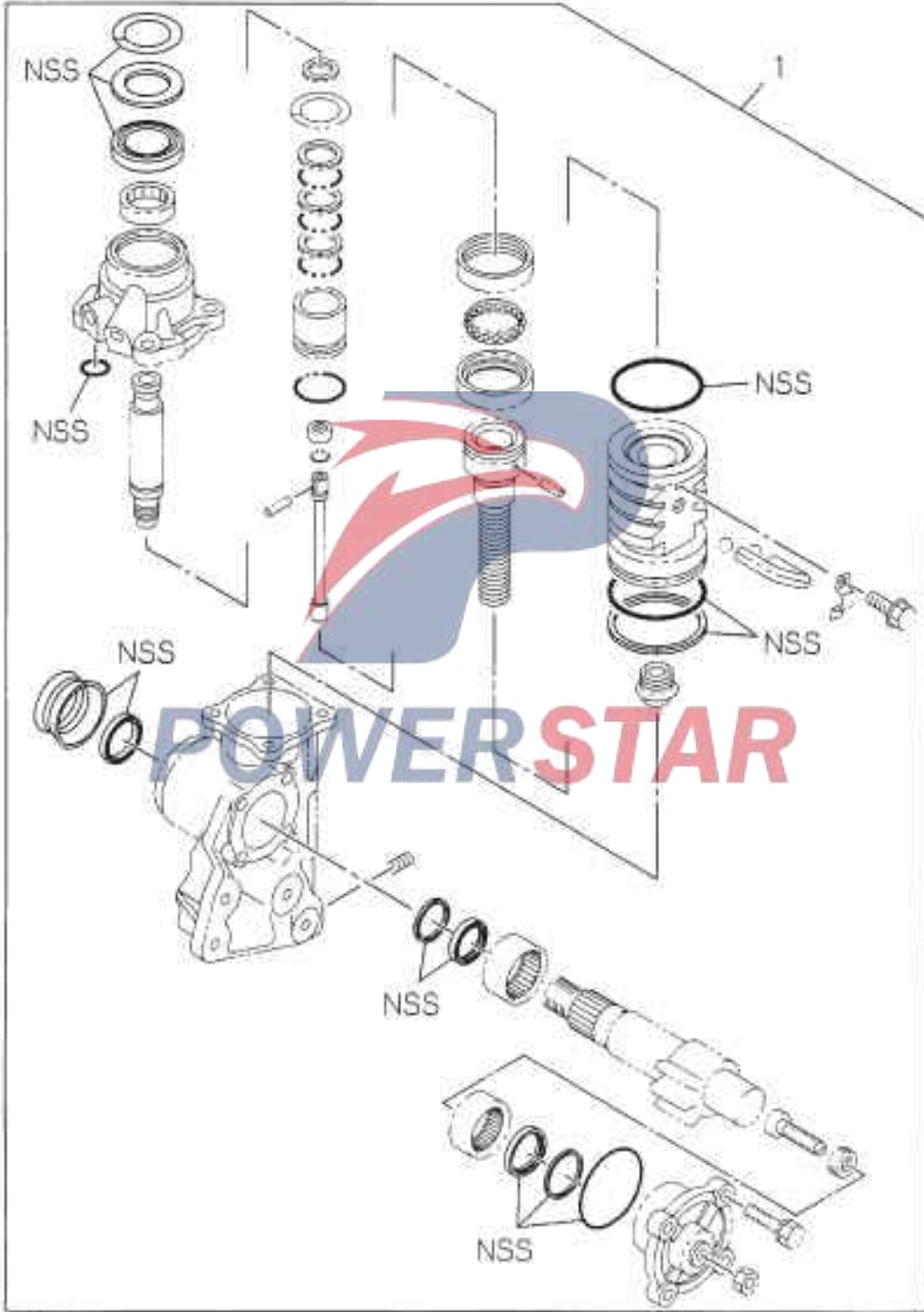
Figure No.



4-40

Steering gear

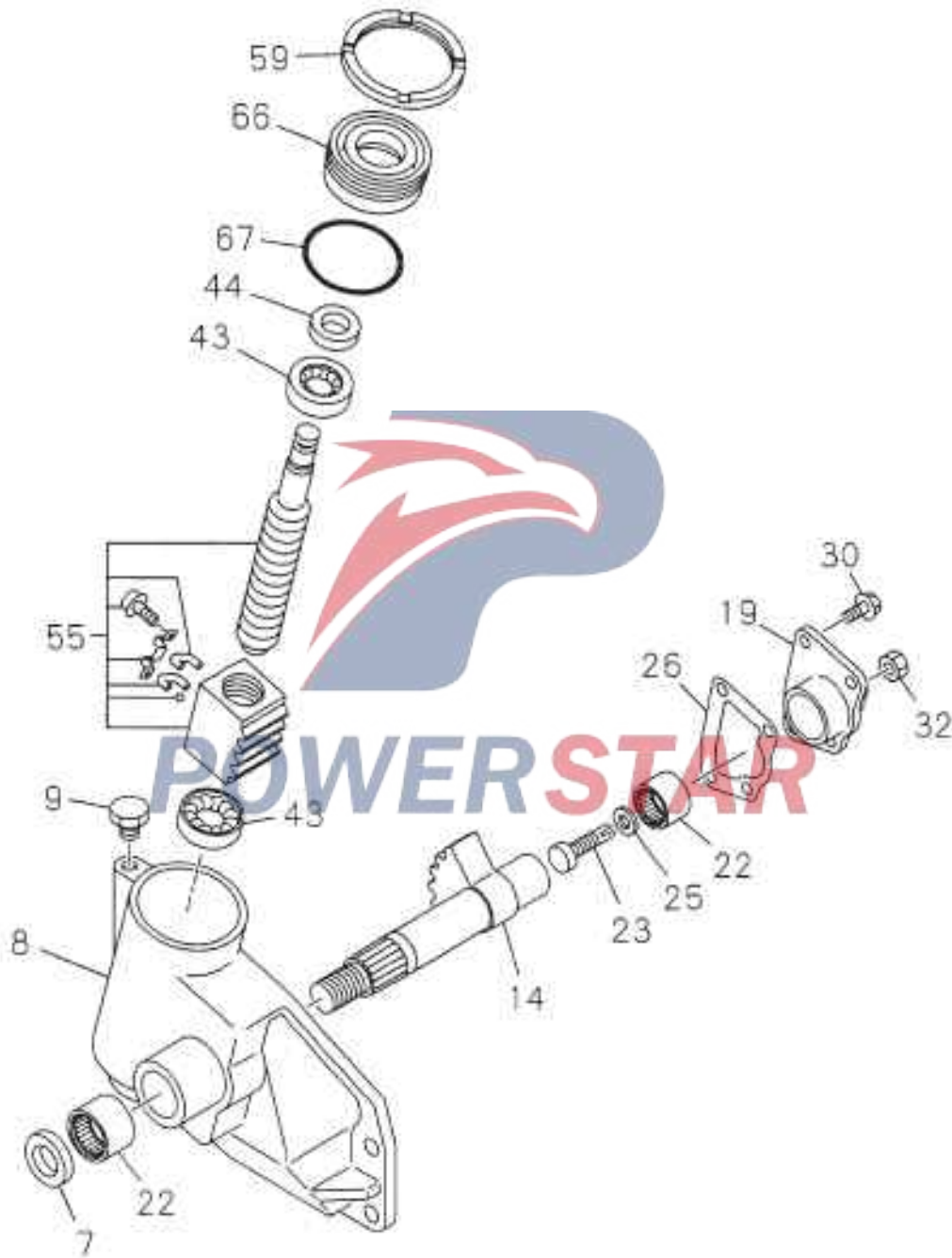
Figure No.



# Steering gear

4-40

Figure No.



4-40		Steering gear	
Figure No.		Recommended specification / name of part	
S/N	Part Number	Partial parts / quantity / notes	
		QTY	REMARKS
1	--- Repair kit - steering gear 8-97356-138-0	01	
7	--- Oil seal - sector axle of steering gear 9-09924-502-0	01	
8	--- Shell assembly - steering gear 8-97108-213-0 8-97356-126-0	01 01	
9	--- Clogging - steering gear 5-09605-020-0 8-97014-820-0	01 01	
14	--- Fan shaft—Steering gear 8-97107-731-0 8-97356-137-0	01 01	
19	--- Side cover - steering gear 8-97107-733-0 8-97014-933-1	01 01	
22	--- Bearing - side cover 5-09811-039-0	02	
23	--- Adjusting screw - fan shaft 9-44277-014-0 8-97014-842-0	01 01	
24	--- Holder - fan shaft 8-97014-841-0	01	

# Steering gear

4-40

Figure No.

S/N	Recommended specification / name of part		
	Part Number	Partial parts / quantity / notes	
		QTY	UNIT
25	--- Washer - adjusting screw		
	9-44279-008-0	As required	Thickness 1.515-1.535
	9-44279-009-0	As required	Thickness 1.545-1.565
	9-44279-010-0	As required	Thickness 1.575-1.595
	9-44279-011-0	As required	Thickness 1.605-1.625
	9-44279-012-0	As required	Thickness 1.635-1.655
26	--- Gasket - fan shaft		
	8-97107-737-0	01	
30	--- Bolt - sector shaft cap		
	9-01911-022-0	04	M10× 22
	8-97014-836-0	04	
32	--- Nut - adjusting screw		
	9-09111-410-0	01	M10
	8-97014-834-0	01	
35	--- Housing - screw assembly - steering gear		
	8-97356-135-0	01	

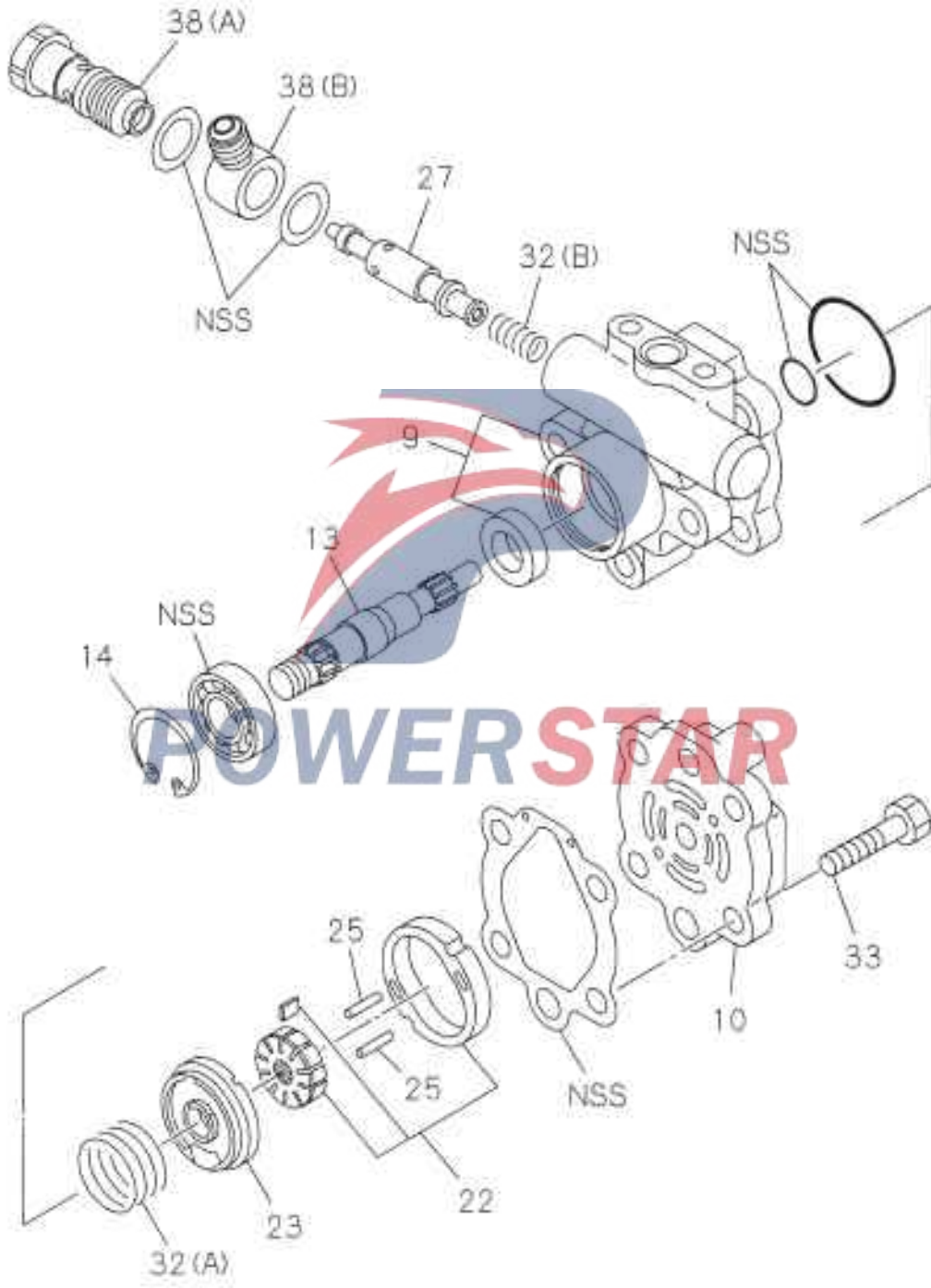


4-40		Steering gear	
Figure No.		Recommended specification / name of part	
S/N	Part Number	Partial parts / quantity / notes	
		QTY	REMARKS
43	--- Bearing - steering nut rod 8-94128-202-0	02	
44	--- Oil seal - steering nut rod 5-09625-070-0	01	
55	--- Steering nut 8-97108-218-0	01	
59	--- Locknut - steering nut rod 8-94128-207-0	01	M7.2
66	--- Cover - steering nut rod 8-97107-735-0	01	
67	--- Washer - steering nut rod 8-97107-738-0	01	
72	--- Bolt - steering gear housing 1-44519-110-0	04	

# Power steering pump Decomposition body

4-42

Figure No.



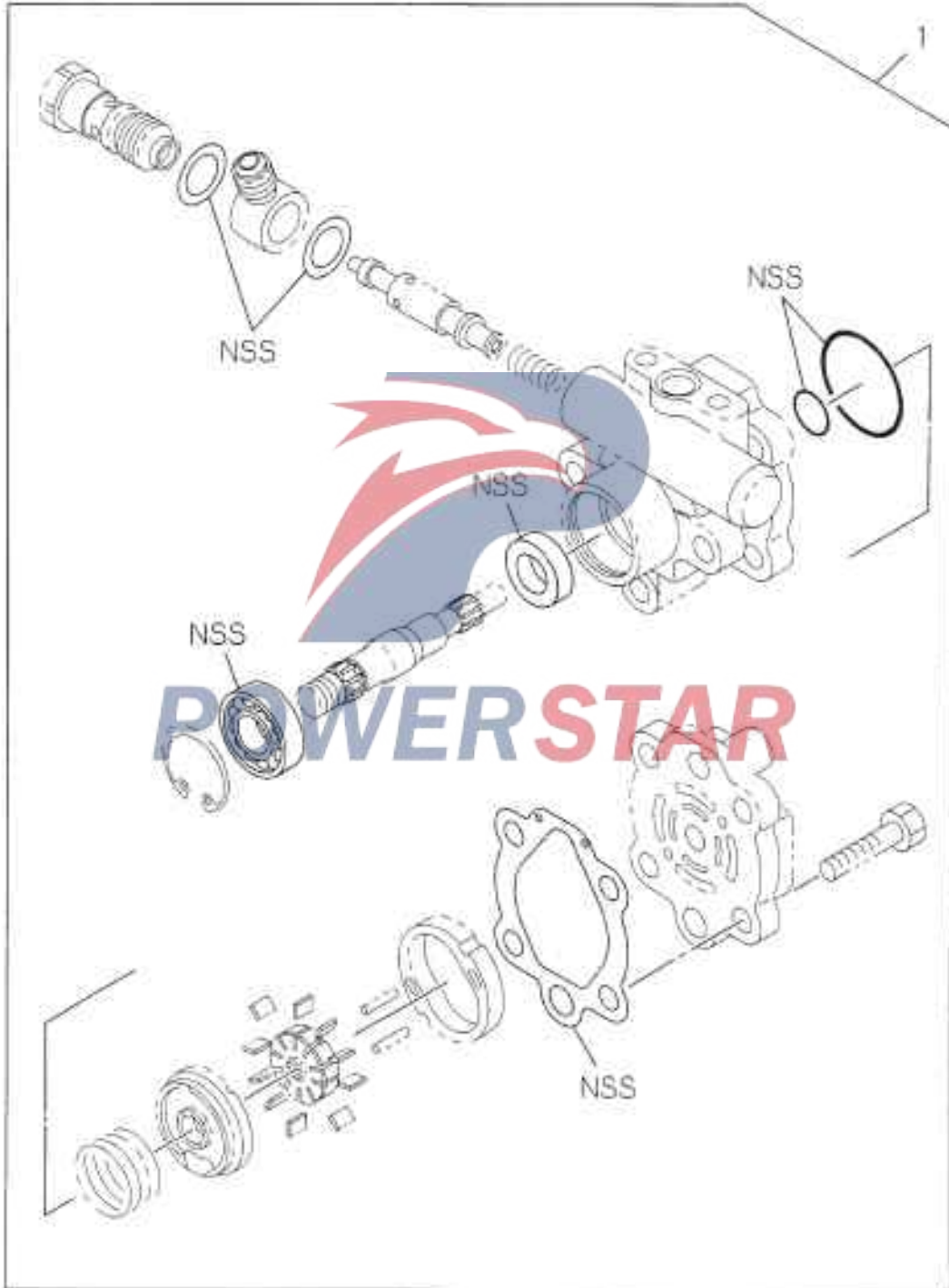


4-42

# Power steering pump

Figure No.

## Repair kit



P-370

## Power steering pump

4-42

Figure No.

S/N	Recommended specification / name of part	
	Part Number	Partial parts / quantity / notes
1	<p>--- Repair kit - power steering pump</p> <p>8-97354-944-0   01</p>	
9	<p>--- Front housing assembly - pump</p> <p>8-97354-933-0   01</p>	
10	<p>--- Rear housing assembly - pump</p> <p>8-97102-294-0   01</p>	
13	<p>--- Axle - retaining ring</p> <p>8-97354-935-0   01</p>	
14	<p>--- Retaining ring - pump</p> <p>8-97064-620-0   01</p>	
22	<p>--- Pump core assembly - pump</p> <p>8-97313-095-0   01</p>	
23	<p>--- Side plate - pump</p> <p>8-97354-679-0   01</p>	
25	<p>--- Pin - pump</p> <p>8-97080-859-0   02</p>	
27	<p>--- Valve assembly - pump</p> <p>8-97094-142-0   01</p>	

<b>4-42</b>		<b>Power steering pump</b>	
Figure No.			
S/N	Recommended specification / name of part		
	Part Number	Partial parts / quantity / notes	
32		--- Spring - pump	
	8-97064-982-0	01	(A)
	8-97064-987-0	01	(B)
33	--- Bolt - cover		
	8-97064-979-0	04	
38	--- Connector - pump		
	8-97354-941-0	01	(A)
	8-97354-943-0	01	(B)

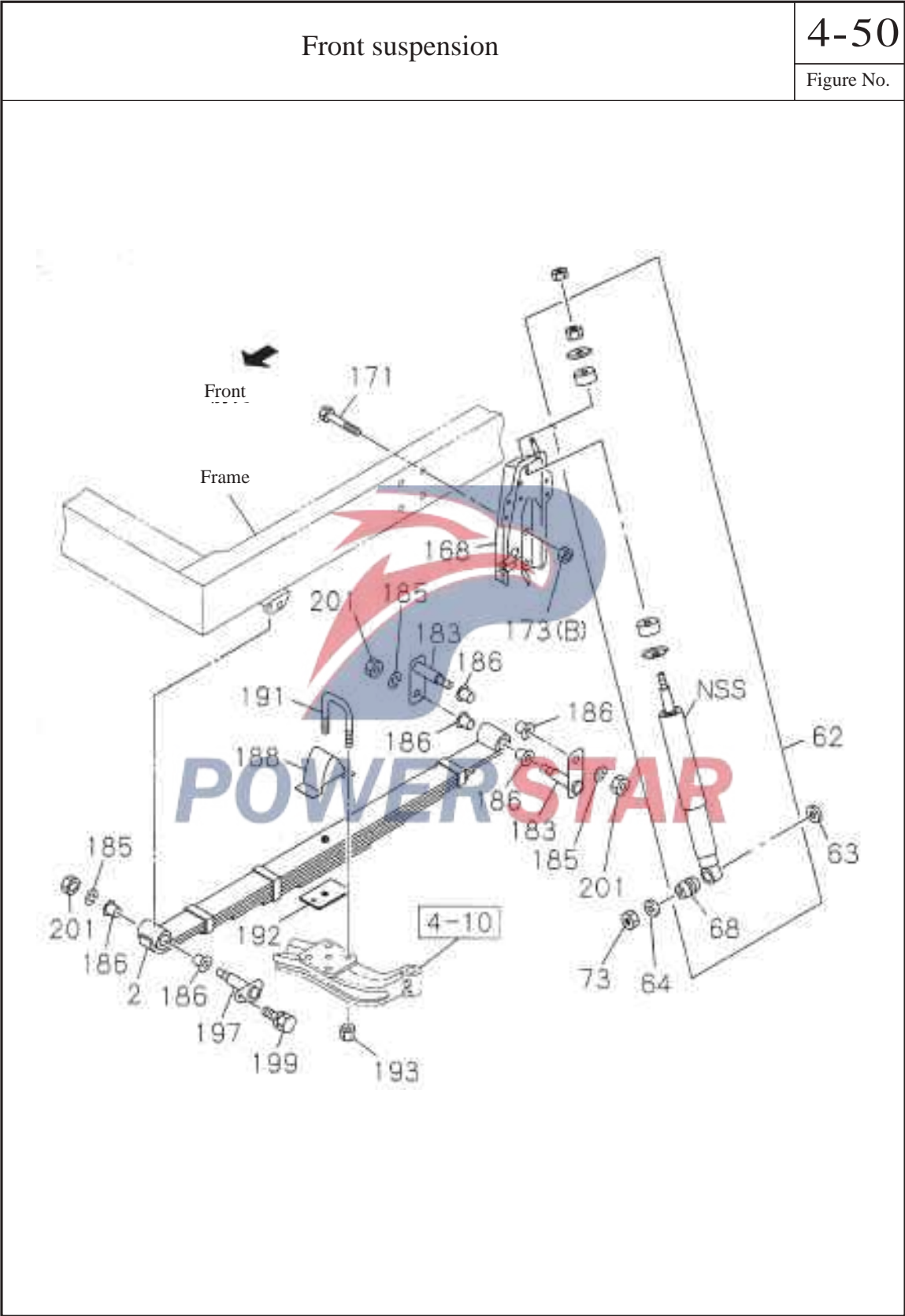


**POWERSTAR**

# Front suspension

4-50

Figure No.



4-50		Front suspension				
Figure No.		Recommended specification / name of part				
S/N	Isuzu figure No.	QingLing figure No.	Left/Right	Qty.	Applicable models / applicable status / notes	
					A	B C D
						Wheelbase 2490mm
						Wheelbase 2765mm
						Wheelbase 3360mm
						Wheelbase 3815mm
2	--- Front leaf spring assembly					
	8-97071-625-2	2902020-10	Right	01	AB	Only for single cab vehicle model with 4JB1 engine, wheelbase of 2490, payload of 2T and crew cab vehicle model with payload of 2.75T; applicable for single cab vehicle model with wheelbase of 2765, payload of 1.95T and crew cab vehicle model with payload of 1.75T
	8-97071-626-2	2902010-10	Left	01	AB	6-piece Only for single cab vehicle model with 4JB1 engine, wheelbase of 2490, payload of 2T and crew cab vehicle model with payload of 2.75T; applicable for single cab vehicle model with wheelbase of 2765, payload of 1.95T and crew cab vehicle model with payload of 1.75T
		2902020-11	Right	01	A	6-piece Only for single cab vehicle model with 4JB1 engine, wheelbase of 2490, payload of 1.45T and crew cab vehicle model with payload of 1.25T
		2902010-11	Left	01	A	5-piece Only for single cab vehicle model with 4JB1 engine, wheelbase of 2490, payload of 1.45T and crew cab vehicle model with payload of 1.25T
		2902020-850	Right	01	BCD	5-piece Only 4KH1 engine
		2902010-850	Left	01	BCD	8-piece Only 4KH1 engine
	8-94343-094-3	2902020-15	Right	01	BC	8-piece Except single cab vehicle model with 4JB1 engine, wheelbase of 2765, payload of 1.95T and crew cab vehicle model with payload of 1.85T
	8-94343-095-3	2902010-15	Left	01	BC	7-piece Except single cab vehicle model with 4JB1 engine, wheelbase of 2765, payload of 1.95T and crew cab vehicle model with payload of 1.85T
						7-piece

Front suspension						4-50
						Figure No.
S/N	Recommended specification / name of part					
	Isuzu figure No.	QingLing figure No.	Left/Right	Qty.	Applicable models / applicable status / notes	
A					Wheelbase 2490mm	
					B	Wheelbase 2765mm
					C	Wheelbase 3360mm
					D	Wheelbase 3815mm
14	--- Nut - upper part of shock absorber					
	8-94317-772-0			02	ABCD	M10
17	--- Washer - shock absorber					
	9-51631-603-0			04	ABCD	
62	--- Shock absorber assembly					
	8-97253-613-0	2905010-10		02	A	Only for 4JB1 engine
	8-97253-605-0			02	BCD	Only 4KH1 engine
					BC	Only for 4JB1 engine
63	--- Flat washer - downward installation of front shock absorber					
	9-09164-616-0	Q40116		02	ABCD	Inside diameter =17 Outer diameter = 32
64	--- Washer—Front shock absorber					
	9-51679-022-0	2905211-803		02	ABCD	Inside diameter =12.5
65	--- Washer - shock absorber					
	9-51631-062-0			04	ABCD	Inside diameter =10.5 Outer diameter = 38
68	--- Rubber sleeve - front shock absorber					
	8-94224-694-0			02	ABCD	Only 4JB1 engine with wheel base of 2490

4-50		Front suspension				
Figure No.		Recommended specification / name of part				
S/N	Isuzu figure No.	QingLing figure No.	Left/Right	Qty.	Applicable models / applicable status / notes	
					A	Wheelbase 2490mm
					B	Wheelbase 2765mm
					C	Wheelbase 3360mm
					D	Wheelbase 3815mm
73	--- Thin nut - downward installation of front shock absorber					
	9-99111-512-0	Q351B12T		02	ABCD	M12
168	--- Bracket - front shock absorber					
	8-97045-613-0	2905110-10	Left	01	ABC	Only for 4JB1 engine
	8-97045-613-0	2905110-850	Left	01	BCD	Only 4KH1 engine
	8-97045-616-0	2905120-10	Right	01	ABC	Only for 4JB1 engine
	8-97045-616-0	2905120-850	Right	01	BCD	Only 4KH1 engine
171	--- Bolt - front shock absorber support and carframe					
	0-28681-030-0	Q1841030		08	ABCD	M10×30
173	--- Nut - front shock absorber support and carframe					
	0-91150-210-0	Q32010T13		08	ABCD	(B) M10
183	--- Lug assembly					
	8-94468-235-2	2902130-10		04	ABCD	
185	--- Spring washer- front hanging pin					
	8-97070-925-1	Q40316		06	ABCD	Inside diameter =16.5



Front suspension						4-50
						Figure No.
S/N	Recommended specification / name of part					
	Isuzu figure No.	QingLing figure No.	Left/Right	Qty.	Applicable models / applicable status / notes	
A					Wheelbase 2490mm	
					B	Wheelbase 2765mm
					C	Wheelbase 3360mm
					D	Wheelbase 3815mm
186	--- Bushing - front leaf spring					
	8-97081-531-0			12	ABCD	
188	--- Rubber bumper block assembly - front suspension					
	8-94150-265-2	2902230-803		02	ABCD	
191	--- U-bolt - front leaf spring					
	8-94127-916-3	2902111-10		04	AB	4JB1 engine only for single cab vehicle model with payload of 2T and crew cab with payload of 1.75T with wheel base of 2490, and the single cab vehicle model with payload of 1.95T and crew cab with payload of 1.75T with wheel base of 2765
		2902111-11		04	A	Length = 95 4JB1 engine only for single cab vehicle model with payload of 1.45T and crew cab with payload of 1.25T with wheel base of 2490
	8-94252-452-4	2902111-15		04	BC	Length = 95 4JB1 engine only for single cab vehicle model with wheel base of 2765 and payload of 2.2T and the crew-can vehicle model with wheel base of 3360 and payload of 1.85T
		2902111-861		04	BCD	Length = 104 Only 4KH1 engine
192	--- Baffle - master pin of front axle					
	8-94249-413-1	2902141-802		02	AB	4JB1 engine only for single cab vehicle model with wheel base of 2490 and those with payload of 1.95T and wheel base of 2765
193	--- Nut - front U-bolt					
	8-94137-483-0	2902113-10		08	ABCD	M14

4-50		Front suspension				
Figure No.		Recommended specification / name of part				
S/N	Isuzu figure No.	QingLing figure No.	Left/Right	Qty.	Applicable models / applicable status / notes	
					A	Wheelbase 2490mm
					B	Wheelbase 2765mm
					C	Wheelbase 3360mm
					D	Wheelbase 3815mm
197	--- Front pin assembly - front leaf spring					
	8-94117-900-1	2902120-10		02	ABCD	
199	--- Bolt - front pin assembly					
	0-28681-025-0	2902142-803		02	ABCD	
						M10× 25
201	--- Nut - front pin assembly					
	9-99110-416-0	Q341B16		06	ABCD	
						M16

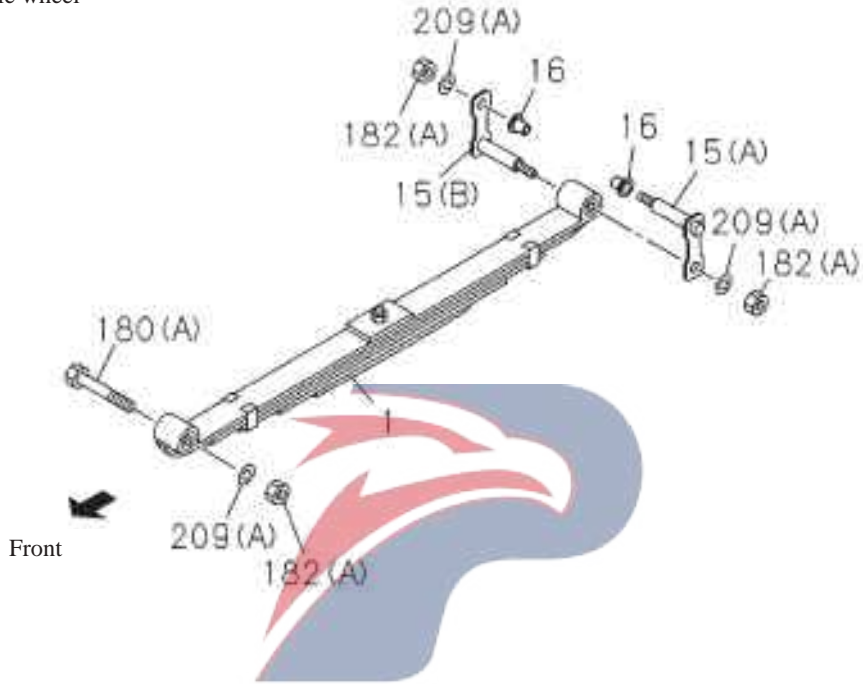


# Rear suspension

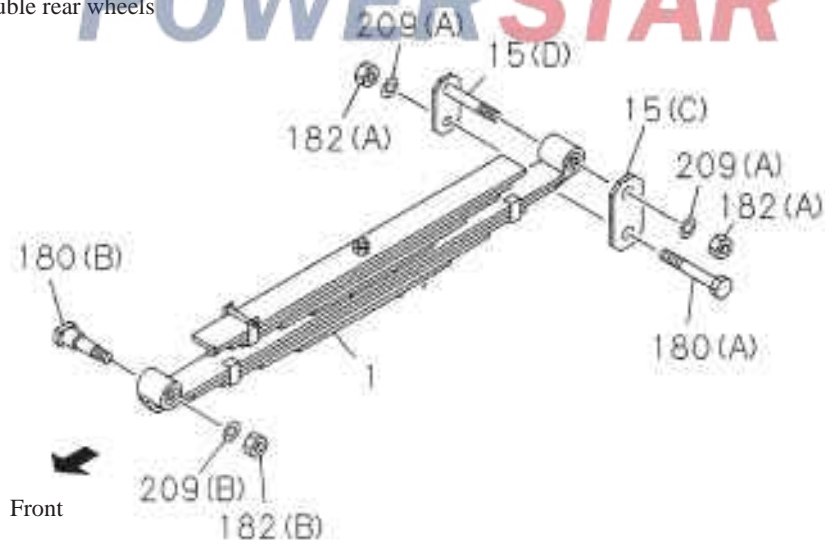
4-60

Figure No.

Single wheel



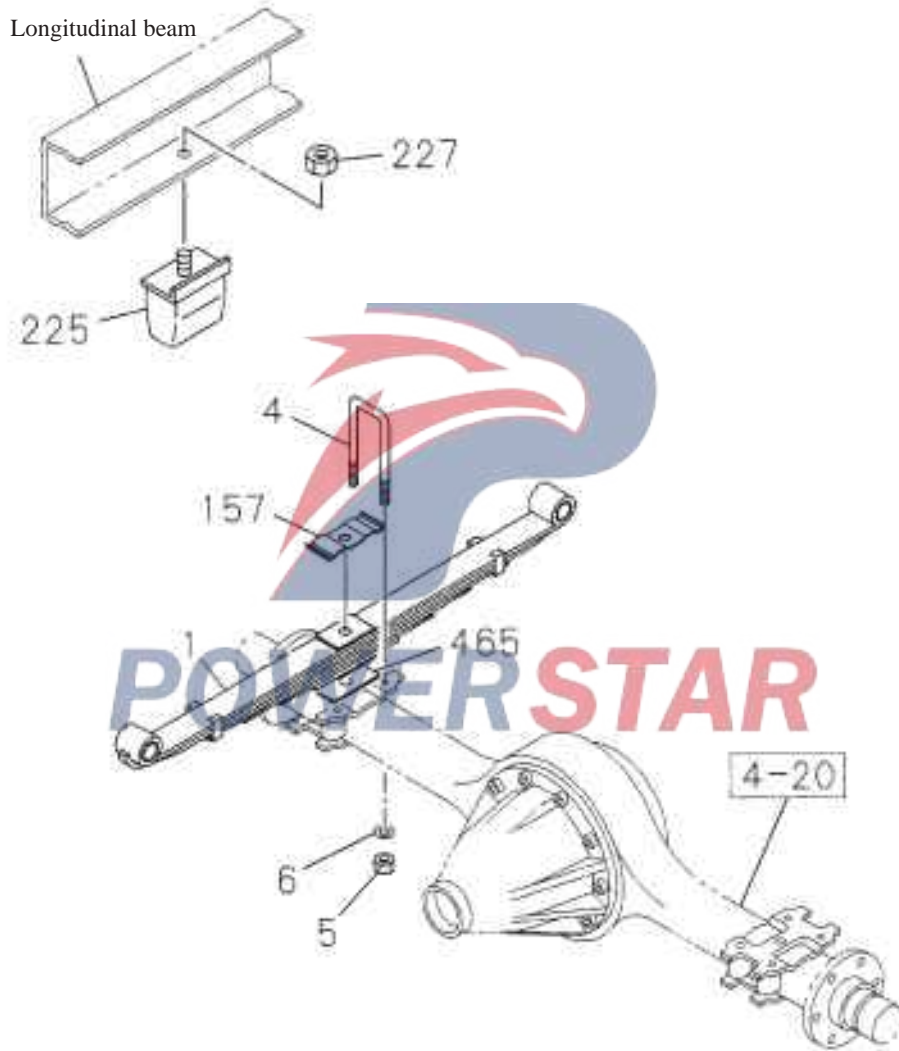
Double rear wheels



4-60

Rear suspension

Figure No.



P-380

Rear suspension

4-60

Figure No.

S/N	Recommended specification / name of part				
	Isuzu figure No.	QingLing figure No.	Left/Right	Qty.	Applicable models / applicable status / notes
					A B C D
1	<b>--- Rear leaf spring assembly</b>				
	8-97033-505-1	2912010-10		02	AB 4JB1 engine only for single cab vehicle model with payload of 2T and crew cab with payload of 1.75T with wheel base of 2490, and the single cab vehicle model with payload of 1.95T and crew cab with payload of 1.75T with wheel base of 2765
		2912010-11		02	A 5-piece Only for single cab vehicle model with 4JB1 engine, wheelbase of 2490, payload of 1.45T and crew cab vehicle model with payload of 1.25T
	8-97070-508-1	2912010-15		02	BC 5-piece Only for single cab vehicle model with 4JB1 engine, wheelbase of 2765, payload of 2.2T and crew cab vehicle model with payload of 1.85T, wheelbase of 3360
		2912010-850		02	BC 10-piece Only 4KH1 engine
		2912010-861		02	D 11-piece Only 4KH1 engine
4	<b>--- U-bolt - rear leaf spring</b>				
	8-94127-920-2	2912151-10		04	A 4JB1 engine only for single cab vehicle model with payload of 2T and crew cab with payload of 1.75T with wheel base of 2490
		2912151-11		04	Length = 235 Only for single cab vehicle model with 4JB1 engine, wheelbase of 2490, payload of 1.45T and crew cab vehicle model with payload of 1.25T
		2912151-861		04	BCD Length = 235 Only 4KH1 engine
	8-94127-923-2	2912151-15		04	BC Length = 265 Only for 4JB1 engine
					Length = 265

4-60		Rear suspension				
Figure No.						
S/N	Recommended specification / name of part					
	Isuzu figure No.	QingLing figure No.	Left/Right	Qty.	Applicable models / applicable status / notes	
A					B	C
					Wheelbase 2490mm	
					Wheelbase 2765mm	
					Wheelbase 3360mm	
					Wheelbase 3815mm	
5	--- Nut - rear U-bolt					
	8-94107-767-0	2912154-10		08	ABCD M16	
6	--- Flat washer - rear U-bolt					
	8-94137-482-1	2912155-10		08	ABCD Inside diameter =16.4	
15	--- Lifting lugs assembly - rear suspension					
	8-94113-322-3	2912130-10		02	AB Only for single cab vehicle model with 4JB1 engine, wheelbase of 2490 and 2765, payload of 1.95T and crew cab vehicle model with payload of 1.75T	
	8-97033-966-1	2912140-10		02	AB (B) Only for single cab vehicle model with 4JB1 engine, wheelbase of 2490 and 2765, payload of 1.95T and crew cab vehicle model with payload of 1.75T	
	8-94118-511-3	2912132-15		02	BCD (A) Only 4KH1 engine BC 4JB1 engine only for single cab vehicle model with wheel base of 2765 and payload of 2.2T and the crew-can vehicle model with wheel base of 3360 and payload of 1.95T	
	8-94118-512-4	2912130A-15		02	BCD (C) Only 4KH1 engine BC 4JB1 engine only for single cab vehicle model with wheel base of 2765 and payload of 2.2T and the crew-can vehicle model with wheel base of 3360 and payload of 1.95T	
16	--- Bushing - rear steel plate spring					
	8-94113-323-2			04	AB (D) Only for single cab vehicle model with 4JB1 engine, wheelbase of 2490 and 2765, payload of 1.95T and crew cab vehicle model with payload of 1.75T	

Rear suspension

4-60

Figure No.

S/N	Recommended specification / name of part				
	Isuzu figure No.	QingLing figure No.	Left/Right	Qty.	Applicable models / applicable status / notes
					A B C D
					Wheelbase 2490mm Wheelbase 2765mm Wheelbase 3360mm Wheelbase 3815mm
157	--- Top board - rear leaf spring				
	8-94119-069-2	2912153-10		02	ABCD Length =130 Width=4.5
180	--- Pin - rear leaf spring				
	9-51361-602-2	2912121-10		02	AB Only for single cab vehicle model with 4JB1 engine, wheelbase of 2490 and 2765, payload of 1.95T and crew cab vehicle model with payload of 1.75T (A)
	9-51361-602-2	2912121-10		02	BCD M16×122 4JB1 engine only for single cab vehicle model with wheel base of 2765 and payload of 2.2T and the crew-can vehicle model with wheel base of 3360 and payload of 1.95T (A)
	8-97033-967-0	2912121-15		02	BCD M16×122 4KH1 engine BC 4JB1 engine only for single cab vehicle model with wheel base of 2765 and payload of 2.2T and the crew-can vehicle model with wheel base of 3360 and payload of 1.95T (B)
					M18×130
182	--- Nut - front installation of rear steel plate spring				
	9-99110-516-0	Q341B16		02	AB Only for single cab vehicle model with 4JB1 engine, wheelbase of 2490 and 2765, payload of 1.95T and crew cab vehicle model with payload of 1.75T (A) M16



4-60		Rear suspension			
Figure No.					
S/N	Recommended specification / name of part				
	Isuzu figure No.	QingLing figure No.	Left/Right	Qty.	Applicable models / applicable status / notes
				A	Wheelbase 2490mm
				B	Wheelbase 2765mm
				C	Wheelbase 3360mm
				D	Wheelbase 3815mm
182	--- Nut - front installation of rear steel plate spring				
	9-99110-516-0	Q341B16		04	BCD 4KH1 engine ABC 4JB1 engine (A) M16
	9-99110-518-0	Q341B18		02	BCD 4KH1 engine BC 4JB1 engine only for single cab vehicle model with wheel base of 2765 and payload of 2.2T and the crew-cab vehicle model with wheel base of 3360 and payload of 1.85T (B) M18
209	--- Spring washer - installation of rear leaf spring				
	9-97070-925-1	Q40316		04	ABCD (A) Inside diameter =16.5
	8-97070-925-1	Q40318		02	AB Only for single cab vehicle model with 4JB1 engine, wheelbase of 2490 and 2765, payload of 1.95T and crew cab vehicle model with payload of 1.75T  Inside diameter =16.5
225	--- Rubber bumper block assembly - rear suspension				
	8-94142-044-3	2902240-802		02	A 4JB1 engine
		2902240-38		02	B 4JB1 engine only for single cab vehicle model with payload of 1.95T and crew cab with payload of 1.75T with wheel base of 2765
	8-94118-510-4	2902240-803		02	BCD 4KH1 engine BC 4JB1 engine only for single cab vehicle model with wheel base of 2765 and payload of 2.2T and the crew cab vehicle model with wheel base of 3360 and payload of 1.95T

### Rear suspension

4-60

Figure No.

S/N	Recommended specification / name of part				
	Isuzu figure No.	QingLing figure No.	Left/Right	Qty.	Applicable models / applicable status / notes
					A B C D
					Wheelbase 2490mm Wheelbase 2765mm Wheelbase 3360mm Wheelbase 3815mm
227	--- Nut - installation of rear buffer rubber block				
	0-91150-112-0	Q32012		02	ABCD M12
465	--- Base plate - rear axle				
		2912112-861		02	B 4JB1 engine only for single cab vehicle model with payload of 1.95T and crew cab with payload of 1.75T with wheel base of 2765

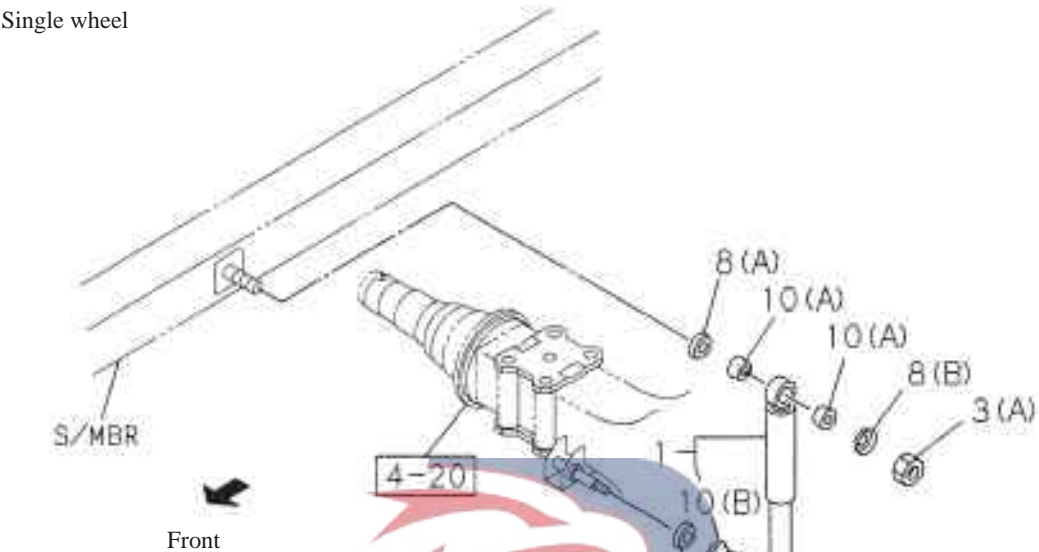
**POWERSTAR**

# 4-61

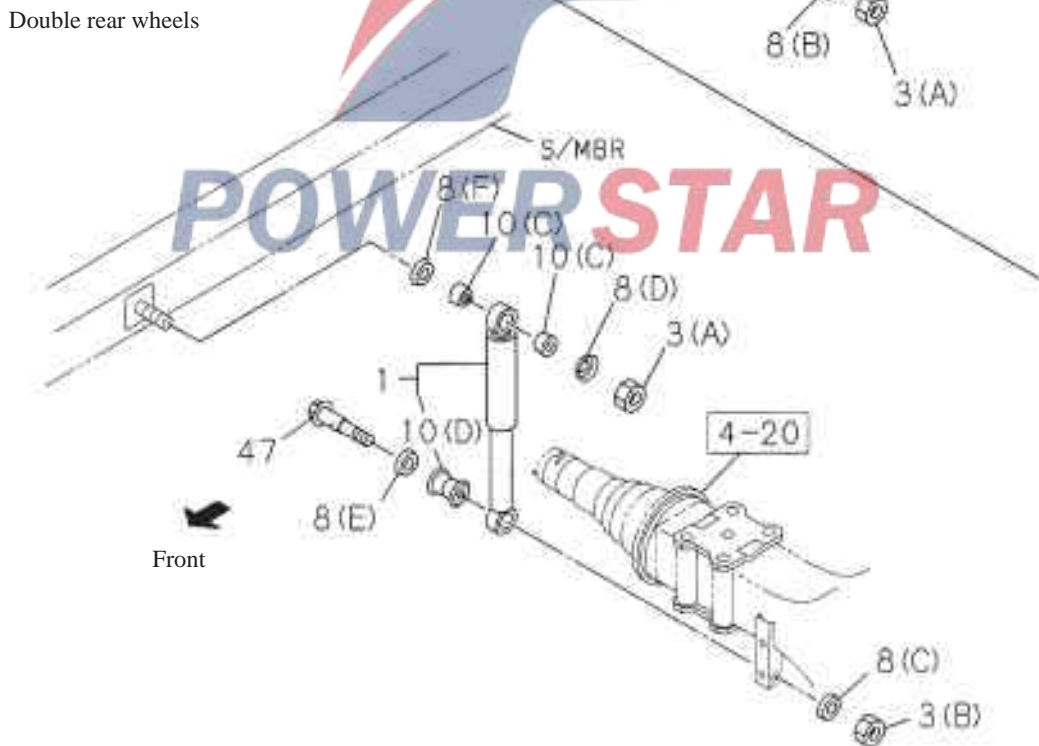
## Rear shock absorber

Figure No.

Single wheel



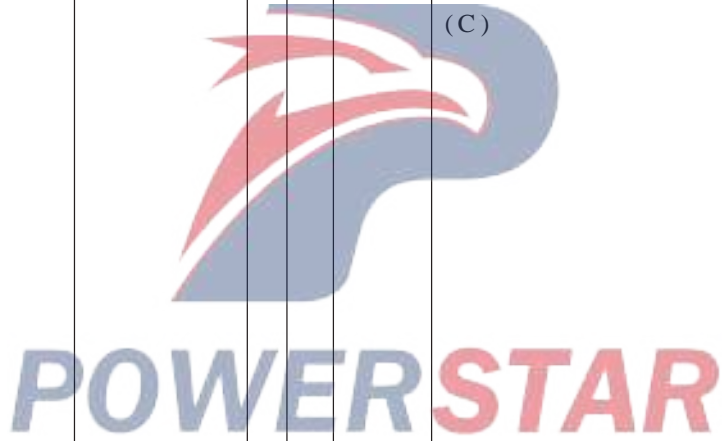
Double rear wheels



Rear shock absorber						4-61
						Figure No.
S/N	Recommended specification / name of part					
	Isuzu figure No.	QingLing figure No.	Left/Right	Qty.	Applicable models / applicable status / notes	
A					Wheelbase 2490mm	
					B	Wheelbase 2765mm
					C	Wheelbase 3360mm
					D	Wheelbase 3815mm
1	--- Rear shock absorber installation					
	8-97253-657-0	2915010-10		02	AB	Only for single cab vehicle model with 4JB1 engine, wheelbase of 2490 and 2765, payload of 1.95T and crew cab vehicle model with payload of 1.75T
	8-97253-651-0			02	BCD	4KH1 engine
					BC	4JB1 engine
3	--- Nut - shock absorber					
	9-99110-412-0	Q341B12		04	AB	Only for single cab vehicle model with 4JB1 engine, wheelbase of 2490 and 2765, payload of 1.95T and crew cab vehicle model with payload of 1.75T
					(A)	
					M12	
	9-99111-414-0	Q351B14		02	BCD	Only 4KH1 engine
					BC	Only for single cab vehicle model with 4JB1 engine, wheelbase of 2765, payload of 2.2T and crew cab vehicle model with payload of 1.85T, wheelbase of 3360.
					(A)	
					M14	
	9-99111-516-0	Q351B16T		02	BCD	Only 4KH1 engine
					BC	Only for single cab vehicle model with 4JB1 engine, wheelbase of 2765, payload of 2.2T and crew cab vehicle model with payload of 1.85T, wheelbase of 3360
					(B)	
					M16	
8	--- washer - outside the shock absorber					
	9-51679-021-0	2915211-801		04	AB	Only for single cab vehicle model with 4JB1 engine, wheelbase of 2490 and 2765, payload of 1.95T and crew cab vehicle model with payload of 1.75T
					(A)	
					Inside diameter =16.5	

4-61		Rear shock absorber				
Figure No.						
S/N	Recommended specification / name of part					
	Isuzu figure No.	QingLing figure No.	Left/Right	Qty.	Applicable models / applicable status / notes	
					A _____ Wheelbase 2490mm B _____ Wheelbase 2765mm C _____ Wheelbase 3360mm D _____ Wheelbase 3815mm	
8	--- Washer - outside the shock absorber					
	9-51679-022-0	2905211-803		04 AB	Only for single cab vehicle model with 4JB1 engine, wheelbase of 2490 and 2765, payload of 1.95T and crew cab vehicle model with payload of 1.75T  (B) Inside diameter =12.5	
	9-51679-012-0	2915212-803		02 BCD BC	Only 4KH1 engine  Only for single cab vehicle model with 4JB1 engine, wheelbase of 2765, payload of 2.2T and crew cab vehicle model with payload of 1.85T, wheelbase of 3360	
	9-51679-013-0	2915211-803		02 BCD BC	(D) Inside diameter =15.0 Only 4KH1 engine  Only for single cab vehicle model with 4JB1 engine, wheelbase of 2765, payload of 2.2T and crew cab vehicle model with payload of 1.85T, wheelbase of 3360	
					(F) Inside diameter =20.0	
10	--- Rubber sleeve - rear shock absorber assembly					
	8-94132-727-1	2915111-10		04 AB	Only for single cab vehicle model with 4JB1 engine, wheelbase of 2490 and 2765, payload of 1.95T and crew cab vehicle model with payload of 1.75T	
	9-51631-014-0			04 BCD BC	(A) Only 4KH1 engine  Only for single cab vehicle model with 4JB1 engine, wheelbase of 2765, payload of 2.2T and crew cab vehicle model with payload of 1.85T, wheelbase of 3360	
					(C)	

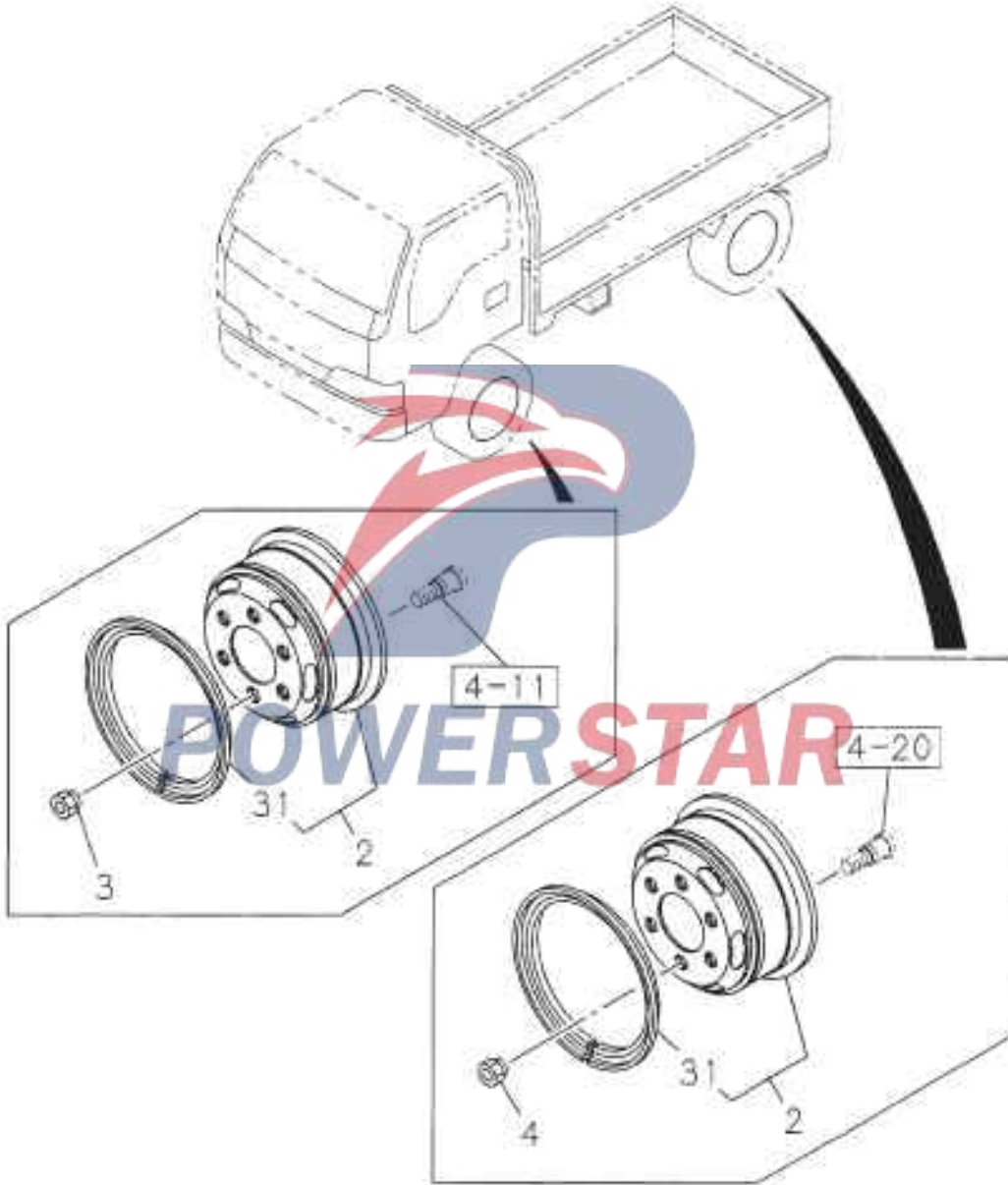
Rear shock absorber						4-61
						Figure No.
S/N	Recommended specification / name of part					
	Isuzu figure No.	QingLing figure No.	Left/Right	Qty.	Applicable models / applicable status / notes	
A					Wheelbase 2490mm	
					B	Wheelbase 2765mm
					C	Wheelbase 3360mm
					D	Wheelbase 3815mm
47	--- Bolt - sock absorber to rear axle					
	8-97316-972-0	2915213-803		02	BCD	Only 4KH1 engine
					BC	Only for single cab vehicle model with 4JB1 engine, wheelbase of 2765, payload of 2.2T and crew cab vehicle model with payload of 1.85T wheelbase of 3360
					(C)	



4-80

Wheel  
Single rear wheel

Figure No.

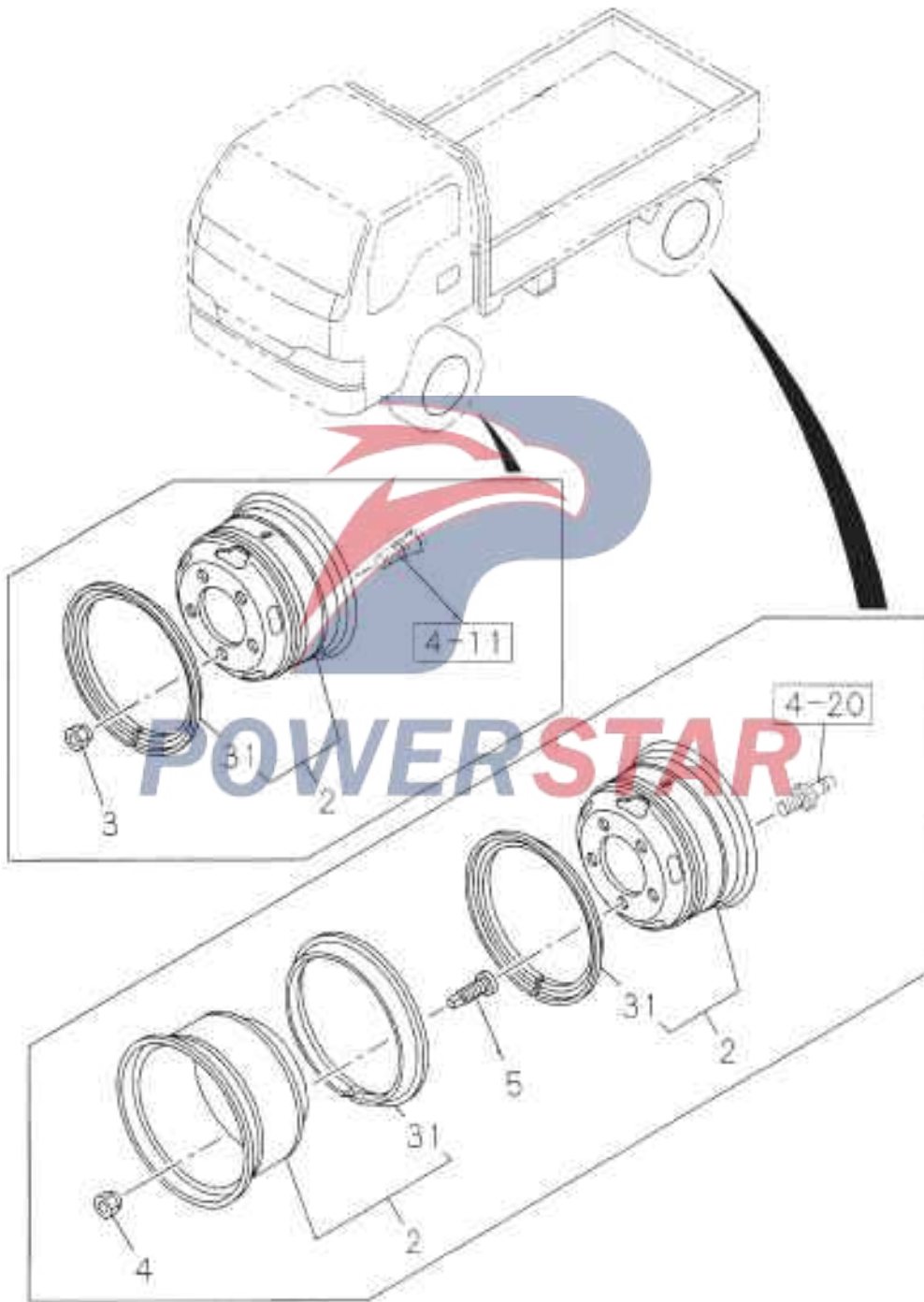




Wheel  
Double rear wheels

4-80

Figure No.

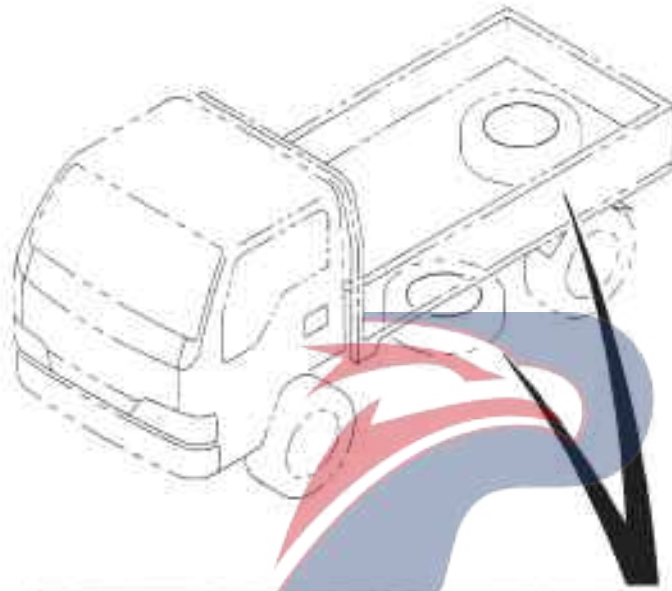


P-391

4-80

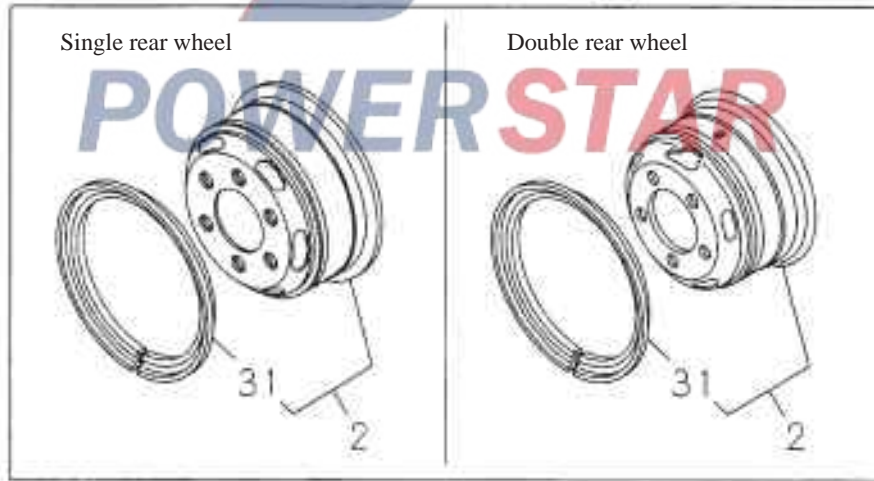
Wheel  
Spare wheel

Figure No.



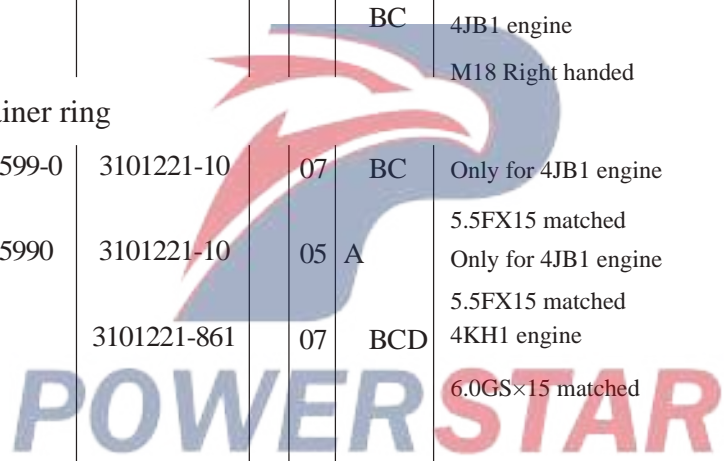
Single rear wheel

Double rear wheel



Wheel						4-80
						Figure No.
S/N	Recommended specification / name of part					
	Isuzu figure No.	QingLing figure No.	Left/Right	Qty.	Applicable models / applicable status / notes	
A					Wheelbase 2490mm	
					B	Wheelbase 2765mm
					C	Wheelbase 3360mm
					D	Wheelbase 3815mm
2	--- Steel ring assembly					
	8-94128-017-0	3101220-10		05	A	4JB1
	8-94116-198-0	3101220-15		07	BC	5.50F×15-25 Only for 4JB1 engine
		3101220-861B		07	BCD	5.50FX×15-115 4KH1 engine
						6.0GS×1 Silver
3	--- Nut - rear wheel					
	5-42334-002-0	3103011-10A	Left	06	A	Only for 4JB1 engine
	5-42333-008-0	3103011-801	Right	06	A	M14 Left handed Only for 4JB1 engine
	8-94365-148-0	3103011-15A	Left	05	BCD	M14 Right handed 4KH1 engine
					BC	4JB1 engine
	8-94365-147-0	3103012-15A	Right	05	BCD	M18 Left handed 4KH1 engine
					BC	4JB1 engine
						M18 Right handed
4	--- Nut - rear wheel					
	5-42334-002-0	3103011-10A	Left	06	A	Only for 4JB1 engine
	5-42333-008-0	3103011-801	Right	06	A	M14 Left handed Only for 4JB1 engine
	8-94365-146-0	3104017-15A	Left	05	BCD	M14 Right handed 4KH1 engine
					BC	4JB1 engine
	8-94365-145-0	3104018-15A	Right	05	BCD	M27 Left handed 4KH1 engine
					BC	4JB1 engine
						M27 Right handed

4-80		Wheel				
Figure No.						
S/N	Recommended specification / name of part					
	Isuzu figure No.	QingLing figure No.	Left/Right	Qty.	Applicable models / applicable status / notes	
A					Wheelbase 2490mm	
					B	Wheelbase 2765mm
					C	Wheelbase 3360mm
					D	Wheelbase 3815mm
5	--- Nut - rear wheel					
	8-94365-144-1	3104015-15A	Left	05	BCD	4KH1 engine
					BC	4JB1 engine
	8-94365-143-1	3104016-15A	Right	05	BCD	M18 Left handed 4KH1 engine
					BC	4JB1 engine M18 Right handed
31	--- Retainer ring					
	8-94135-599-0	3101221-10		07	BC	Only for 4JB1 engine
	8-941355990	3101221-10		05	A	5.5FX15 matched Only for 4JB1 engine
		3101221-861		07	BCD	5.5FX15 matched 4KH1 engine 6.0GS×15 matched



## Catalogue of 4KH1 - TC engine

Car frame and other components Bracket	5-01 <small>Figure No.</small>

P- 399

5-01 <small>Figure No.</small>	Car frame and other components Other parts; rivets, bolts, nuts																														
<table border="1" style="margin: 5px auto; border-collapse: collapse;"> <tr> <td>SIZE</td> <td>05X0</td> <td>05X2</td> <td>05X3</td> <td>010X24</td> </tr> <tr> <td>KEY NO.</td> <td>375(A)</td> <td>375(B)</td> <td>375(C)</td> <td>375(D)</td> </tr> </table> <table border="1" style="margin: 5px auto; border-collapse: collapse;"> <tr> <td>SIZE</td> <td>010X26</td> <td>010X28</td> <td>010X30</td> <td>010X32</td> </tr> <tr> <td>KEY NO.</td> <td>375(E)</td> <td>375(F)</td> <td>375(G)</td> <td>375(H)</td> </tr> </table> <table border="1" style="margin: 5px auto; border-collapse: collapse;"> <tr> <td>SIZE</td> <td>010X38</td> <td>012X30</td> <td>012X34</td> <td>012X38</td> </tr> <tr> <td>KEY NO.</td> <td>376(I)</td> <td>376(J)</td> <td>376(K)</td> <td>376(L)</td> </tr> </table>		SIZE	05X0	05X2	05X3	010X24	KEY NO.	375(A)	375(B)	375(C)	375(D)	SIZE	010X26	010X28	010X30	010X32	KEY NO.	375(E)	375(F)	375(G)	375(H)	SIZE	010X38	012X30	012X34	012X38	KEY NO.	376(I)	376(J)	376(K)	376(L)
SIZE	05X0	05X2	05X3	010X24																											
KEY NO.	375(A)	375(B)	375(C)	375(D)																											
SIZE	010X26	010X28	010X30	010X32																											
KEY NO.	375(E)	375(F)	375(G)	375(H)																											
SIZE	010X38	012X30	012X34	012X38																											
KEY NO.	376(I)	376(J)	376(K)	376(L)																											
<table border="1" style="margin: 5px auto; border-collapse: collapse;"> <tr> <td>SIZE</td> <td>M10X20</td> </tr> <tr> <td>KEY NO.</td> <td>175</td> </tr> </table> <table border="1" style="margin: 5px auto; border-collapse: collapse;"> <tr> <td>SIZE</td> <td>M8</td> </tr> <tr> <td>KEY NO.</td> <td>118</td> </tr> </table>		SIZE	M10X20	KEY NO.	175	SIZE	M8	KEY NO.	118																						
SIZE	M10X20																														
KEY NO.	175																														
SIZE	M8																														
KEY NO.	118																														

P- 400

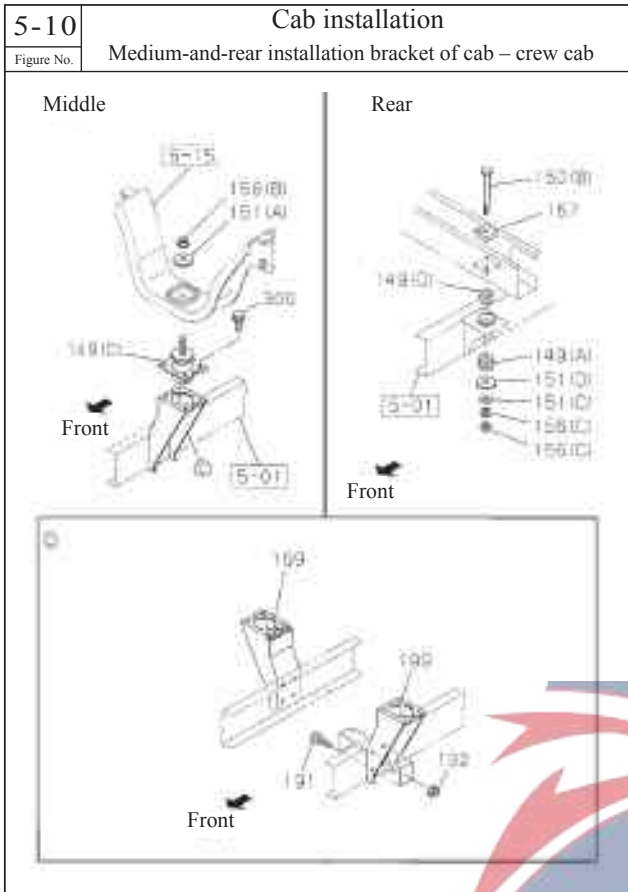
5-10 <small>Figure No.</small>	Cab installation Front installation bracket of cab

P- 410

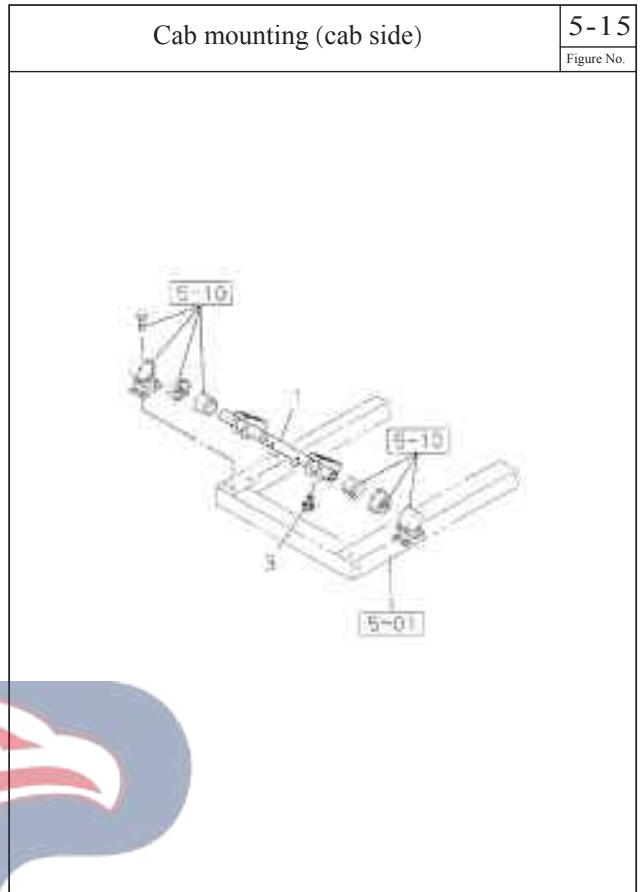
5-10 <small>Figure No.</small>	Cab installation Rear suspension bracket of cab- single cab

P- 411

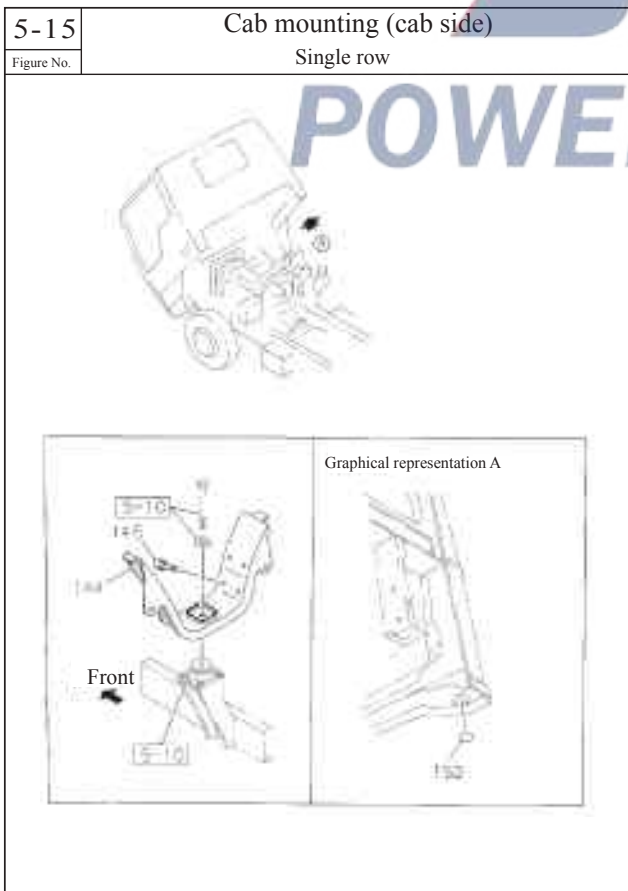
## Catalogue of 4KH1 - TC engine



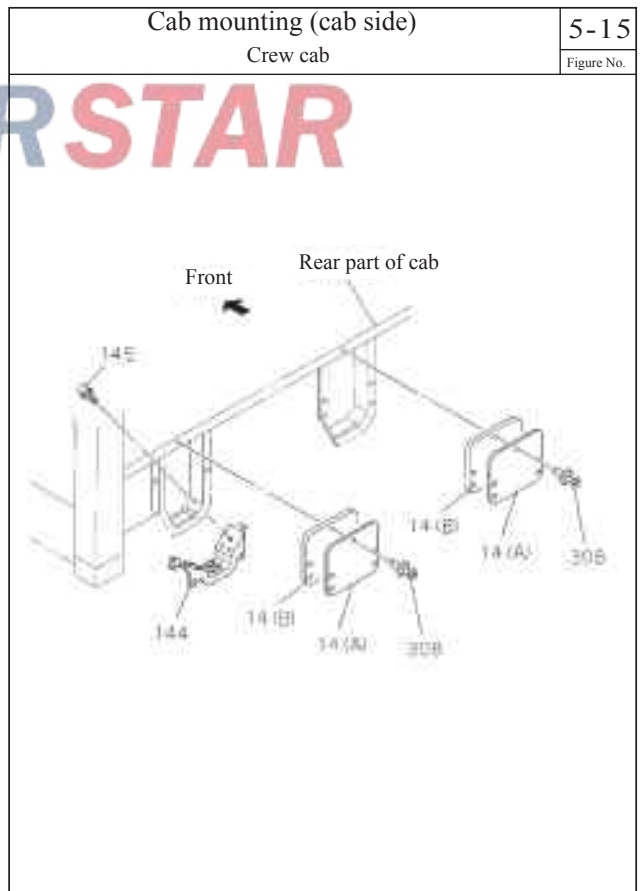
P- 412



P- 417

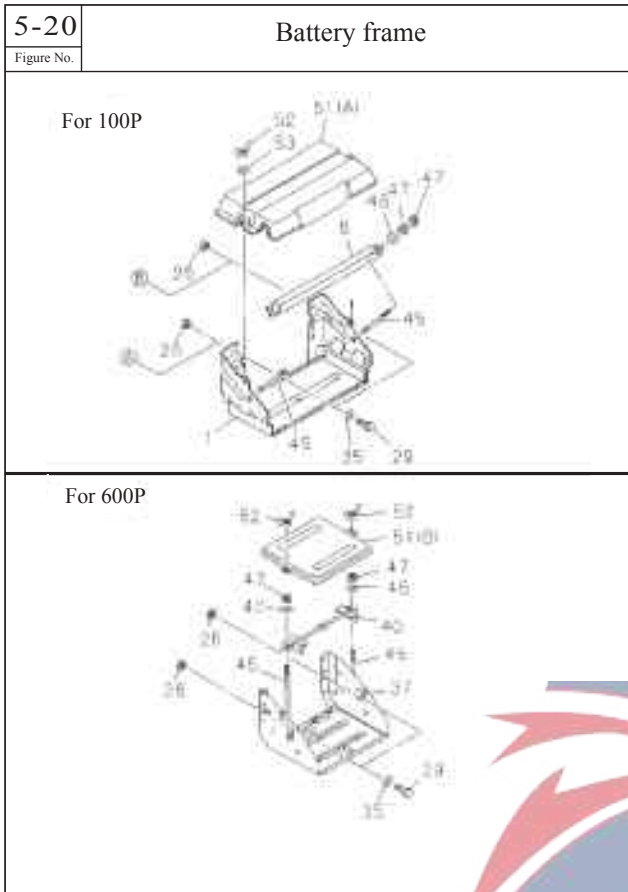


P- 418

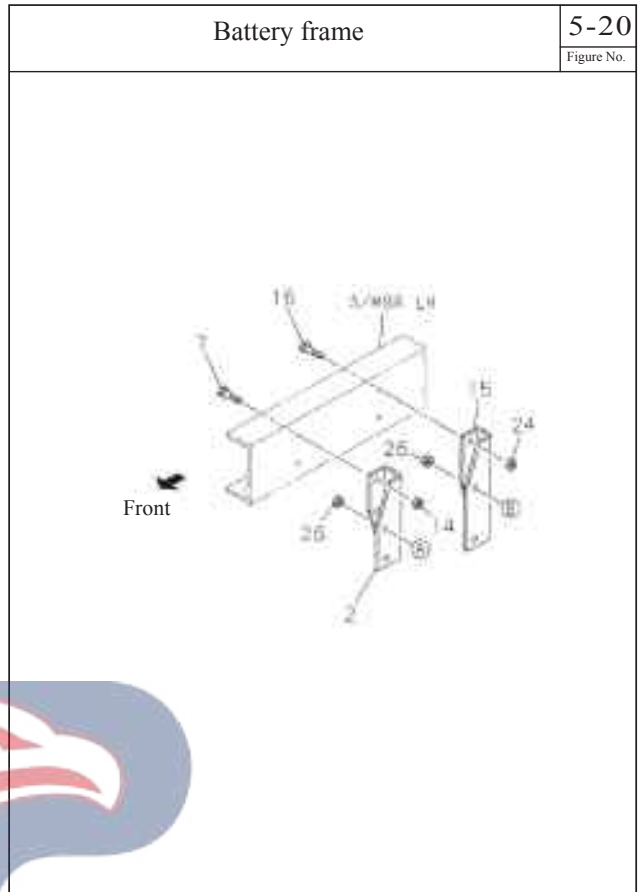


P- 419

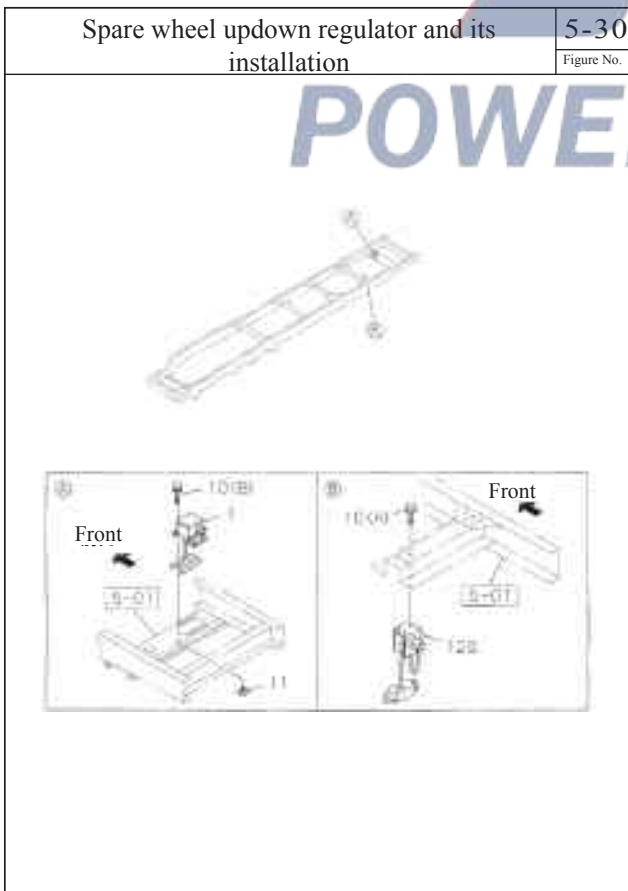
### Catalogue of 4KH1-TC engine



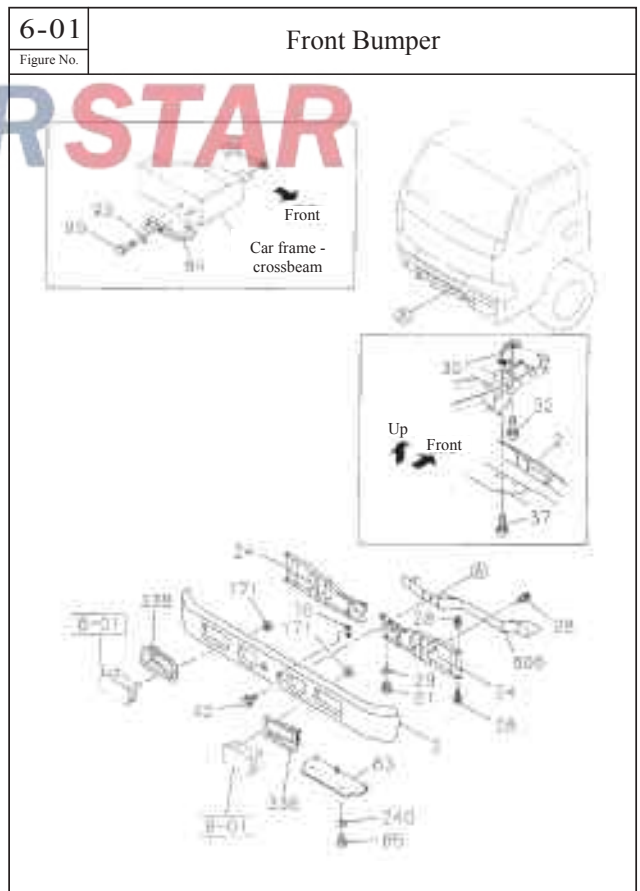
P- 422



P- 423



P- 427



P- 430



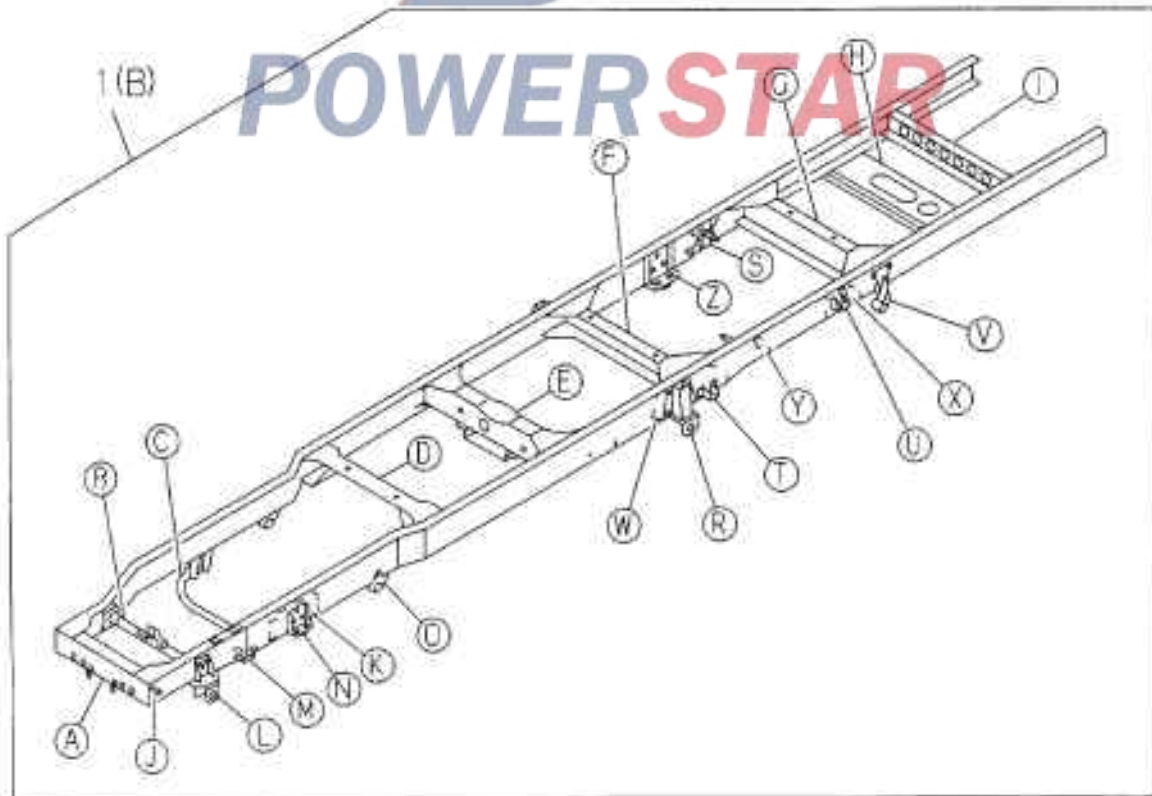
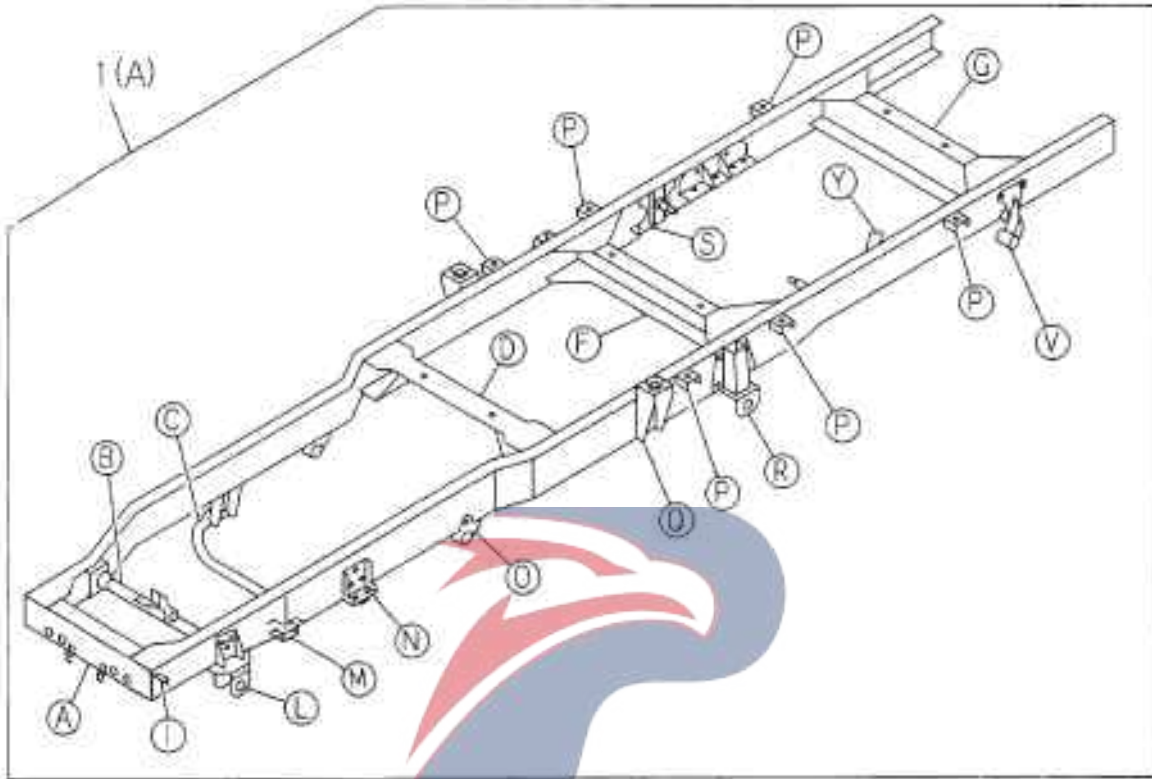


5-01

Car frame and other components

Figure No.

Car frame assembly

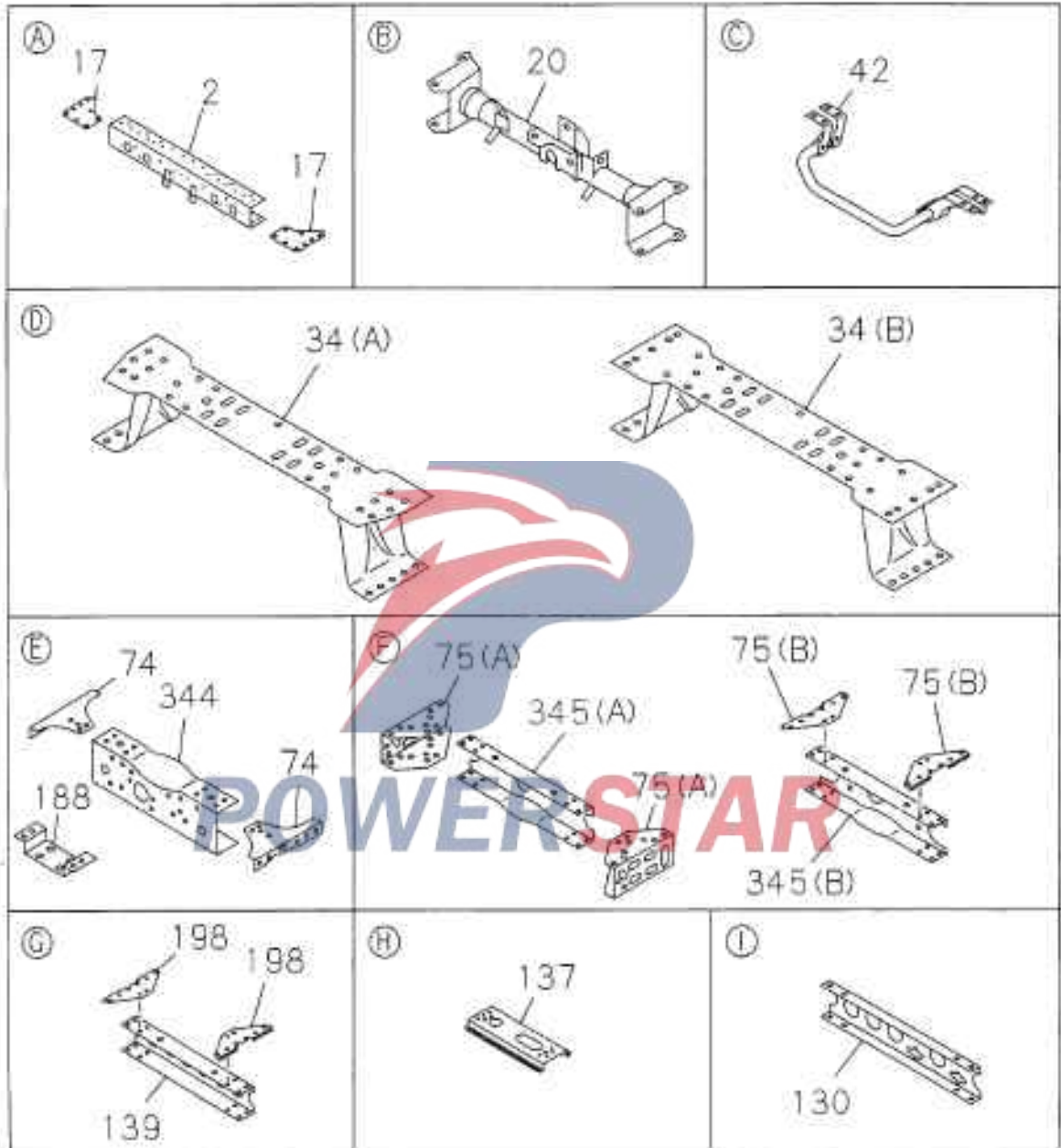


Car frame and other components

Crossbeam

5-01

Figure No.

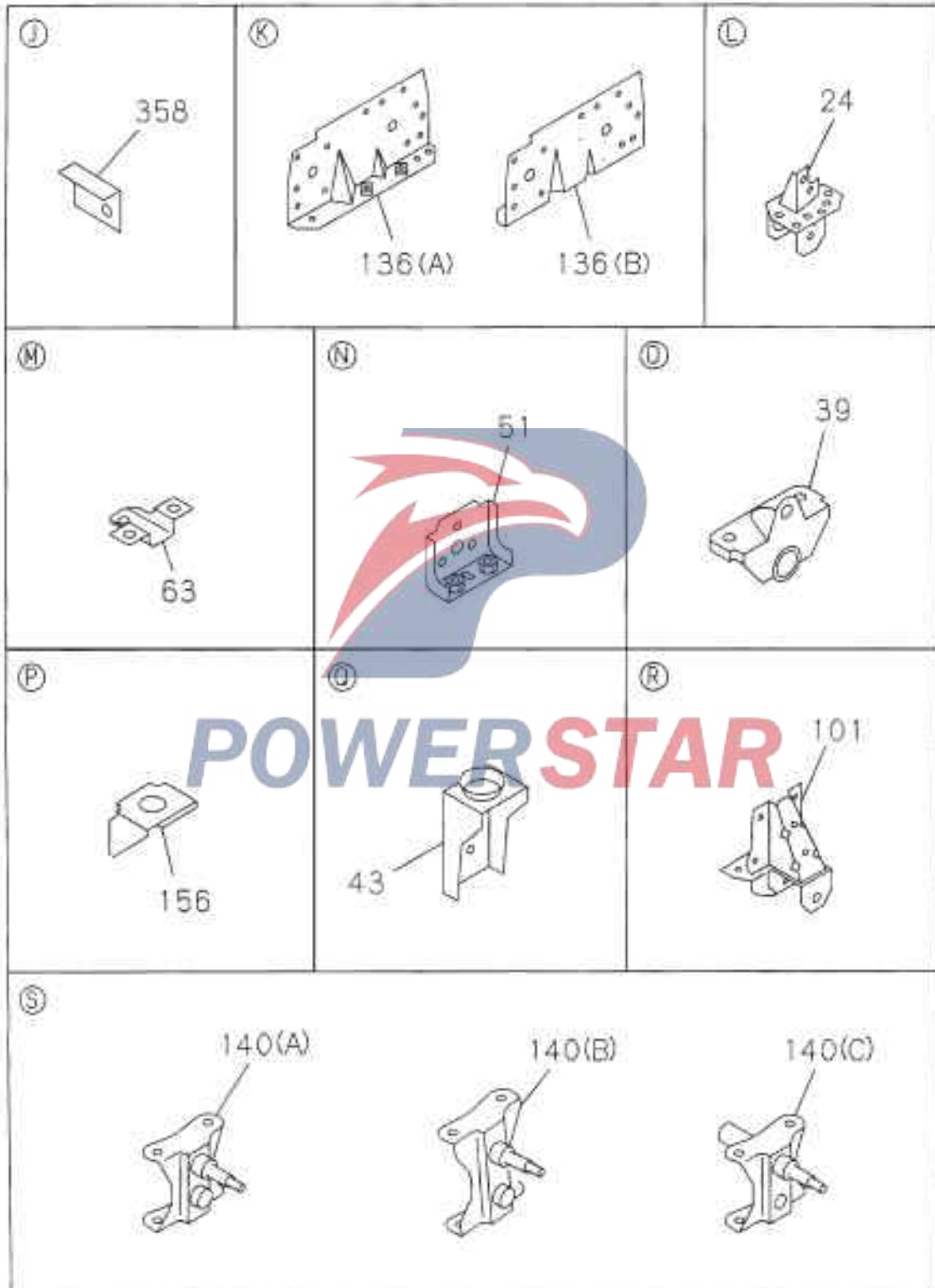


5-01

Car frame and other components

Figure No.

Bracket

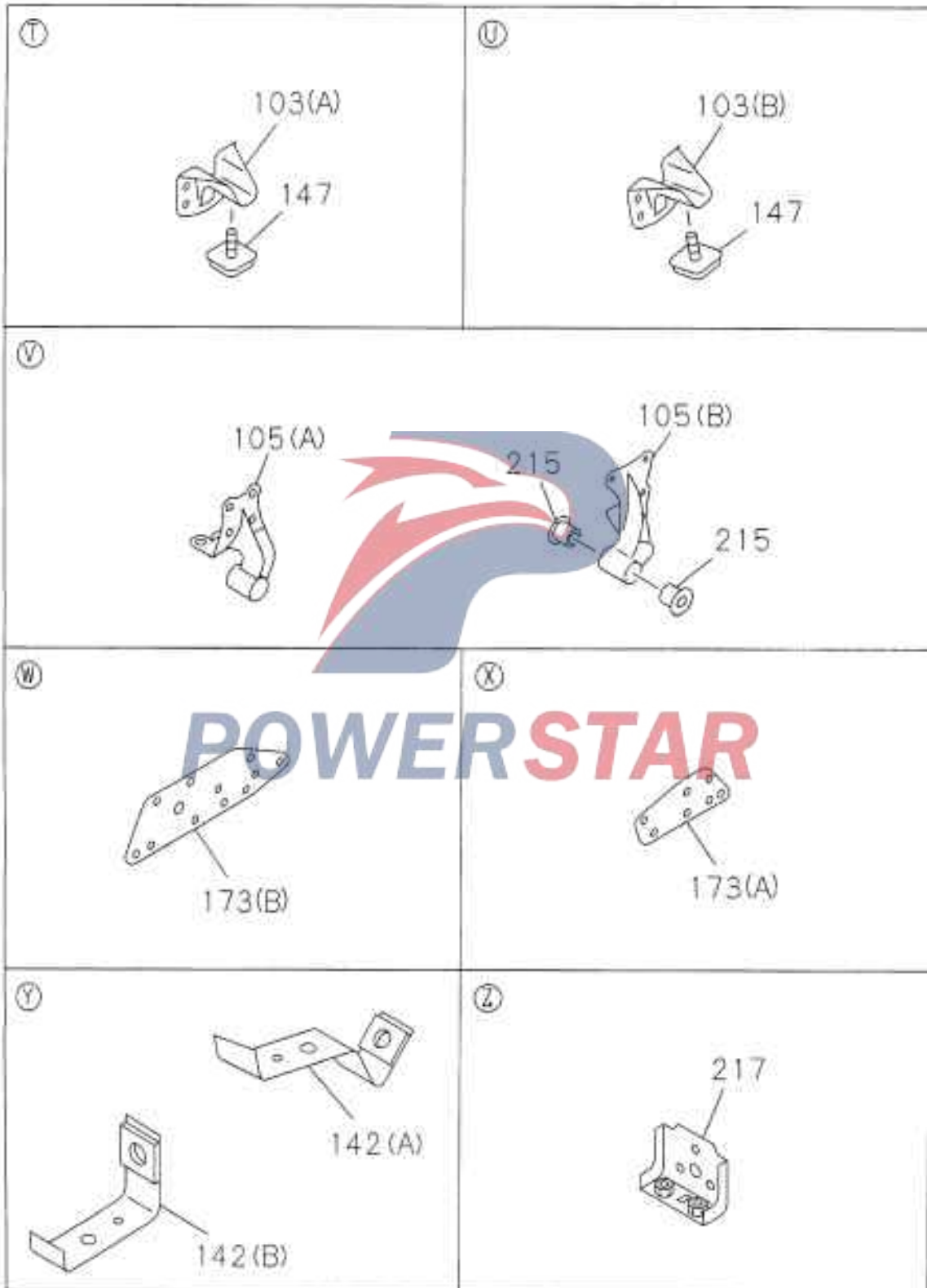


Car frame and other components

Bracket

5-01

Figure No.

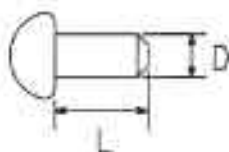


5-01

Car frame and other components

Figure No.

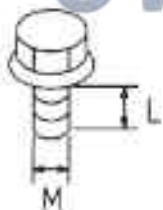
Other parts; rivets, bolts, nuts



DXL

SIZE	D8X20	D8X22	D8X28	D10X24
KEY NO.	376(A)	376(B)	376(C)	376(D)
SIZE	D10X26	D10X28	D10X30	D10X32
KEY NO.	376(E)	376(F)	376(G)	376(H)
SIZE	D10X36	D12X30	D12X34	D12X38
KEY NO.	376(I)	376(J)	376(K)	376(L)

**POWERSTAR**



MXL

SIZE	M10X25
KEY NO.	176

SIZE	M8
KEY NO.	118



Car frame and other components

5-01

Figure No.

S/N	Recommended specification / name of part					
	Isuzu figure No.	QingLing figure No.	Left/Right	Qty.	Applicable models / applicable status / notes	
					A	Wheelbase 2490mm
					B	Wheelbase 2765mm
C					Wheelbase 3360mm	
D	Wheelbase 3815mm					
1	--- Car frame assembly					
8-97205-869-2	2800010-802		01	A	Apply to single-cab vehicle model with payload of 2T, Europe II (A)	
	2800010-804		01	A	Only apply to crew-cab vehicle model with payload of less than 1.25T, Europe II	
8-97205-878-2	2800010-803		01	C	4JB1 engine applies to single-cab vehicle model with payload of 2.75T Europe II (B)	
	2800010-805		01	C	4JB1 engine applies to crew -cab vehicle model with payload of 1.95T Europe II	
	2800010-807		01	B	4JB1 engine applies to crew -cab vehicle model with payload of 1.48T Europe II (B)	
	2800010-38		01	B	4JB1 engine applies to crew -cab vehicle model with payload of 1.75T Europe II	
8-97357-414-0	2800010-801A		01	A	Apply to crew-cab vehicle model with payload of 1.75T, Europe II (A)	
	2800010-806		01	A	Apply to single - cab vehicle model with payload of 1.45T, Europe II	
	2800010-811		01	B	4JB1 engine applies to single-cab vehicle model with payload of 2.2T Europe II	
	2800010-36		01	B	4JB1 engine applies to single-cab vehicle model with payload of 1.95T Europe II	
	2800010-850A1		01	C	4KH1 engine applies to single-cab vehicle model with payload of 4.5T	
	2800010-852A		01	B	4KH1 engine applies to crew -cab vehicle model with payload of 1.4T	
	2800010-856A		01	C	4KH1 engine, applicable for crew-cab vehicle model with payload of 3.5T	
	2800010-861B1		01	D	4KH1 engine applies to single-cab wide-bodied vehicle model with payload of 4T	
	2800010-864B1		01	D	4KH1 engine, applicable for crew-cab vehicle model with payload of 3.5T	
	2800010-853		01	B	4KH1 engine applies to single-cab vehicle model with payload of 1.95T	
	2800010-865		01	B	4KH1 engine applies to single-cab vehicle model with payload of 4.0T	



5-01		Car frame and other components				
Figure No.						
S/N	Recommended specification / name of part					
	Isuzu figure No.	QingLing figure No.	Left/Right	Qty.	Applicable models / applicable status / notes	
					A Wheelbase 2490mm	
					B Wheelbase 2765mm	
					C Wheelbase 3360mm	
					D Wheelbase 3815mm	
2	--- 1st beam assembly					
	8-97034-332-2	2801050-10		01	ABCD	
17	--- Connecting plate-first beam					
	8-97088-205-1	2801052-10		02	ABCD	
20	--- 2nd beam assembly					
	8-97078-581-1	2801110-10		01	ABCD	
24	--- Front bracket assembly - front leaf spring					
	8-97065-789-1	2801410-10	Left	01	ABCD	
	8-94366-818-1	2801420-10	Right	01	ABCD	
34	--- 3rd beam assembly					
	8-97039-670-1	2801210-10		01	A	
	8-97115-578-0	2801210-15		01	BC 4JB1 engine BCD 4KH1 engine (A)	
39	--- Rear bracket assembly - front leaf spring					
	8-94258-091-0	2801430-10		02	ABC 4JB1 engine	
		2801430-861		02	BCD 4KH1 engine	
42	--- Engine mounting beam assembly					
	8-94246-127-7	2801160-10		01	ABC 4JB1 engine	
		2801160-815		01	BCD 4KH1 engine	

## Car frame and other components

# 5-01

Figure No.

S/N	Recommended specification / name of part					
	Isuzu figure No.	QingLing figure No.	Left/Right	Qty.	Applicable models / applicable status / notes	
					A	B
						Wheelbase 2490mm
						Wheelbase 2765mm
						Wheelbase 3360mm
						Wheelbase 3815mm
43	<b>--- Rear bracket assembly-cab mounting</b>					
	8-97042-541-0	2801730-10	Left	01	A	Only for crew cab
		2801730-26	Left	01	BC	4JB1 engine, only for crew cab
		2801730-856A	Left	01	BCD	4KH1 engine
	8-97042-540-0	2801740-10	Right	01	A	Only for crew cab
		2801740-26	Right	01	BC	4JB1 engine, only for crew cab
		2801740-856A	Right	01	BCD	4KH1 engine
51	<b>--- Outer bracket assembly- engine mounting beam</b>					
	8-94258-086-1	2801630-10		02	ABCD	
63	<b>--- Left bracket- water tank mounting</b>					
	8-94257-950-1	2801641-10		01	ABCD	
74	<b>--- Connection plate - The 4th beam</b>					
	8-97101-837-1	2801253-15	Left	02	C	
	8-97101-838-0	2801254-15	Right	02	C	
75	<b>--- Connection plate - The 5th , 6th beam</b>					
	8-94258-075-3	2801252-10		02	A	(A)
	8-97062-499-0	2801314-15	Right	02	B	4JB1 engine (B)
	8-97062-500-0	2801313-15	Left	02	B	4JB1 engine BCD 4KH1 engine (B)
101	<b>--- Front bracket assembly - rear steel plate spring</b>					
		2841450-38		02	B	4JB1 engine only applies to vehicle model with payload of 1.75T-1.95T
	8-94258-093-1	2801450-10		02	A	
		2801450-861		02	BCD	4KH1 engine

5-01		Car frame and other components				
Figure No.						
S/N	Recommended specification / name of part					
	Isuzu figure No.	QingLing figure No.	Left/Right	Qty.	Applicable models / applicable status / notes	
					A Wheelbase 2490mm B Wheelbase 2765mm C Wheelbase 3360mm D Wheelbase 3815mm	
101	--- Front bracket assembly - rear steel plate spring					
	8-97034-156-1			02	BC 4JB1 engine B 4KH1 engine, only for single cab	
103	--- Bracket-rear leaf spring bracket					
		2801451-10		02	A	
		2801451-15		02	BCD 4KH1 engine	
				02	BC 4JB1 engine	
		2801451-38		02	B 4JB1 engine, applicable for vehicle model with payload of 1.75T – 1.95T	
105	---Rear bracket-rear leaf spring					
	8-94126-621-1	2801461-10	Left	01	A For vehicle model with the payload of 1.75T (A)	
	8-94101-395-0	2801470-11	Left	01	A For vehicle model with the payload of 1.5T or less (A)	
		2801480-11	Right	01	A For vehicle model with the payload of 1.5T or less	
	8-94126-620-1	2801471-10	Right	01	A For vehicle model with the payload of 1.75T (A)	
	8-94459-512-1	2801471-15	Left	01	BC 4JB1 engine BCD 4KH1 engine (B)	
	8-94459-511-1	2801481-15	Right	01	BC 4JB1 engine BCD 4KH1 engine (B)	
118	---Nut-bracket					
	9-09131-508-0			04	ABCD M8	

Car frame and other components

5-01

Figure No.

S/N	Recommended specification / name of part				
	Isuzu figure No.	QingLing figure No.	Left/Right	Qty.	Applicable models / applicable status / notes
					A B C D
130	--- 7th beam				
	8-94257-620-2	2801361-15		01	B
136	--- Inner reinforcing plate assembly- engine mounting beam				
	8-94370-228-1	2801610-10	Left	01	ABCD (A)
	8-97083-311-1	2801620-10	Right	01	B (B)
137	--- Spare wheel beam assembly				
	8-97076-885-1	2801350-15		01	BCD 4KH1 engine
139	--- Crossbeam				
	8-97045-542-2	2801311-10		01	A 5th beam
	8-97062-497-3	2801311-15		01	BC The 5th beam of 4JB1 engine BCD The 5th beam of 4KH1 engine
	8-97062-498-1	2801331-15		01	BC The 6th beam of 4JB1 engine BCD The 6th beam of 4KH1 engine
140	--- Bracket assembly - rear shock absorber				
	8-94258-104-1	2801710-10	Left	01	A (A)
		2801710-35	Left	01	B 4JB1 engine, applicable for vehicle model with payload of 1.85T - 2.2T
		2801710-38	Left	01	B 4JB1 engine, applicable for vehicle model with payload of 1.75T - 1.95T
		2801710-853	Left	01	B 4KH1 engine
		2801710-861	Left	01	D 4KH1 engine
	8-94258-103-1	2801720-10	Right	01	A
	8-94258-103-1	2801720-853	Right	01	B 4KH1 engine (A)

5-01		Car frame and other components				
Figure No.		Recommended specification / name of part				
S/N	Isuzu figure No.	QingLing figure No.	Left/Right	Qty.	Applicable models / applicable status / notes	
					A	B
						Wheelbase 2490mm
						Wheelbase 2765mm
						Wheelbase 3360mm
						Wheelbase 3815mm
140	--- Bracket assembly - rear shock absorber					
		2801720-850	Right	01	C	4KH1 engine
		2801720-861B	Right	01	D	4KH1 engine
8-97012-285-0		2801710-15	Left	01	C	4JB1 engine (B)
		2801710-850	Left	01	C	4KH1 engine
8-94101-303-0		2801720-15	Right	01	BC	4JB1 engine (C)
		2801720-35	Right	01	B	4JB1 engine, applicable for vehicle model with payload of 1.85T – 2.2T
		2801720-38	Right	01	B	4JB1 engine, applicable for vehicle model with payload of 1.75T – 1.95T
142	--- Bracket assembly- rear brake tube					
8-97047-775-1		2801650-10		01	A	(A)
8-97035-308-0		2801650-15		01	BC	4JB1 engine (B)
		2801650-861		01	BCD	4KH1 engine
147	--- Glue cushion assembly- auxiliary spring					
		2801530-15		04	BC	
		2801530-861		04	D	4KH1 engine
156	--- Bracket- truck body mounting					
8-94101-398-1		2801771-10		06	A	4JB1 engine, only for crew cab
173	--- Reinforcing plate-rear spring rear bracket					
8-94372-324-1		2801851-15		02	BC	4JB1 engine
				02	BCD	4KH1 engine (A)
8-94408-191-2		2801820-15		01	BC	4JB1 engine reinforcing plate assembly- rear spring rear bracket
					BCD	4KH1 engine reinforcing plate assembly- rear spring rear bracket
8-94403-508-2		2801821-15		01	BC	4JB1 engine
					BCD	4KH1 engine (B)

Car frame and other components

5-01

Figure No.

S/N	Recommended specification / name of part					Applicable models / applicable status / notes
	Isuzu figure No.	QingLing figure No.	Left/Right	Qty.		
						Wheelbase 2490mm
						Wheelbase 2765mm
						Wheelbase 3360mm
						Wheelbase 3815mm
176	--- Nut- beam mounted on carling					
	0-28081-025-0	Q150B1025		08	ABCD	M10× 25
188	--- Bracket assembly- intermediate support of transmission shaft					
	8-97078-869-1	2801280-15		01	BC	4JB1 engine
					BCD	4KH1 engine
198	--- Connection plate - The 5th , 6th beam					
	8-94258-081-1	2801312-10		02	A	Connection plate - The 5th beam
	8-97062-499-0	2801314-15	Right	02	D	4KH1 engine
		2801314-15	Right	02	BC	
	8-97062-500-0	2801313-15	Left	02	BC	
			Left	01	D	4KH1 engine
215	--- Bushing - Rear suspension support					
	8-97184-699-1			04	BC	
217	--- Outer bracket- engine mounting beam					
	8-94258-963-0	2801631-10		02	BC	4JB1 engine
					BCD	4KH1 engine
344	--- The fourth crossbeam assembly					
	8-97078-707-3	2801250-15		01	C	4JB1 engine
					CD	4KH1 engine
345	--- 4th beam					
	8-97081-061-2	2801251-10		01	A	(A)
		2801251-15		01	C	4JB1 engine
					BCD	4KH1 engine

5-01		Car frame and other components					
Figure No.							
S/N	Recommended specification / name of part						
	Isuzu figure No.	QingLing figure No.	Left/Right	Qty.	Applicable models / applicable status / notes		
					A	Wheelbase 2490mm	
					B	Wheelbase 2765mm	
					C	Wheelbase 3360mm	
					D	Wheelbase 3815mm	
345	--- The fourth crossbeam assembly						
	8-97062-497-3	2801311-15		01	B	4JB1 engine (B)	
358	--- Bracket assembly- cab bonding						
	8-97065-790-3	2801790-10		01	ABCD		
376	--- Rivet						
	9-06750-820-0	Q4500820		As required	ABCD	(A)	
	9-06750-822-0	Q4500820		As required	ABCD	Outer diameter 8×20 (B)	
	9-06750-828-0	Q4500830		As required	ABCD	Outer diameter 8×22 (C)	
	9-06751-024-0	Q4501022		As required	ABCD	Outer diameter 8×28 (D)	
	9-06751-026-0	Q4501026		As required	ABCD	Outer diameter 10×24 (E)	
	9-06751-028-0	Q4501030		As required	ABCD	Outer diameter 10×26 (F)	
	9-06751-030-0	Q4501030		As required	ABCD	Outer diameter 10×28 (G)	
	9-06751-032-0	Q4501032		As required	ABCD	Outer diameter 10×30 (H)	
						Outer diameter 10×32	



Car frame and other components

5-01

Figure No.

S/N	Recommended specification / name of part				
	Isuzu figure No.	QingLing figure No.	Left/Right	Qty.	Applicable models / applicable status / notes
					A B C D
376	---	Rivet			
	9-06751-036-0	Q4501034		As required	ABCD (I) Outer diameter 10×36
	9-06751-230-0	Q4501224		As required	ABCD (J) Outer diameter 12×30
	9-06751-234-0	Q4501232		As required	ABCD (K) Outer diameter 12×34
	9-06751-238-0	Q4501036		As required	ABCD (L) Outer diameter 12×38

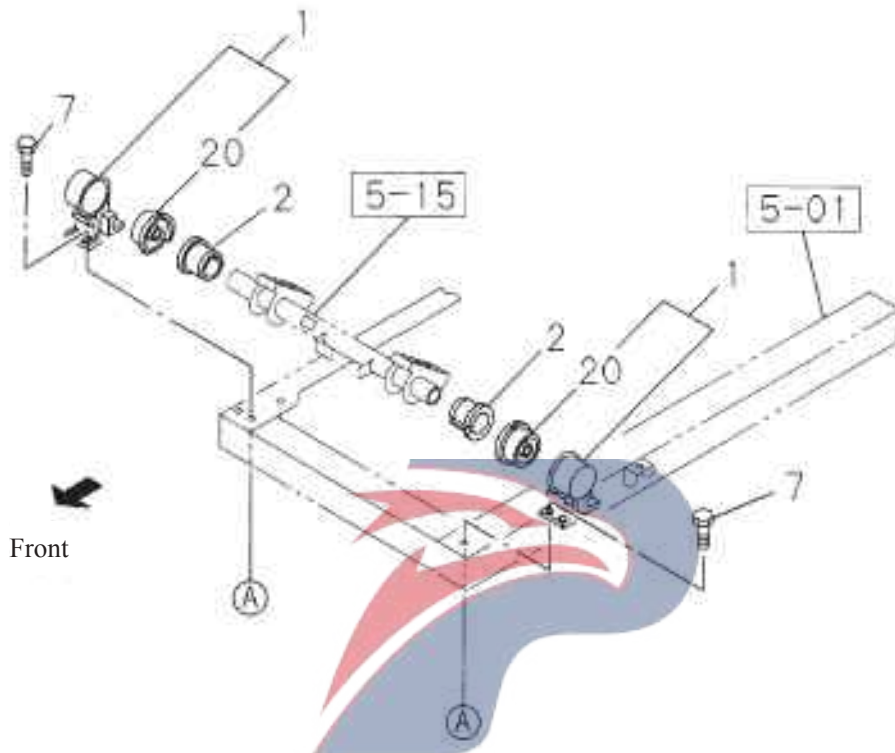
POWERSTAR

5-10

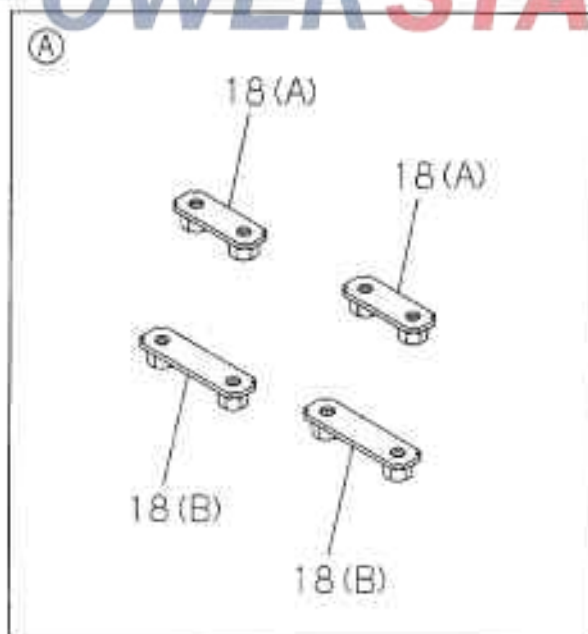
### Cab installation

Figure No.

Front installation bracket of cab



**POWERSTAR**

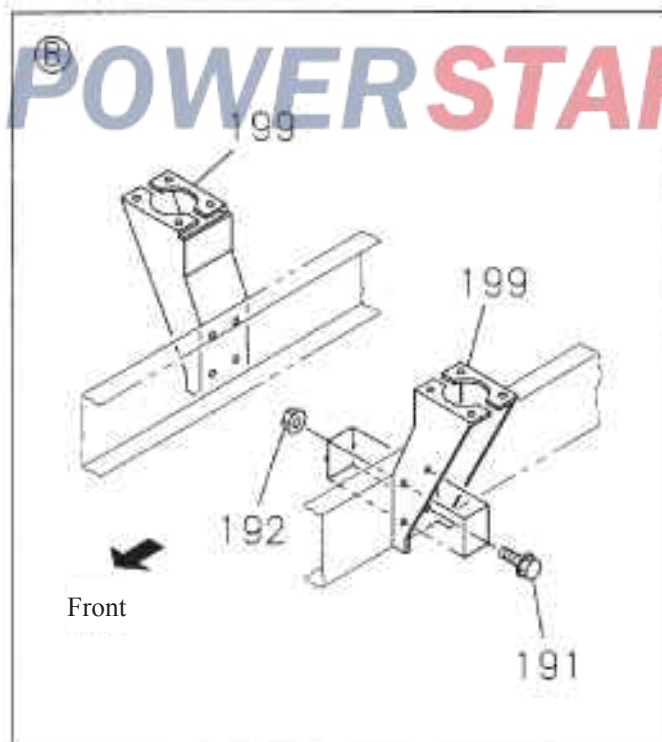
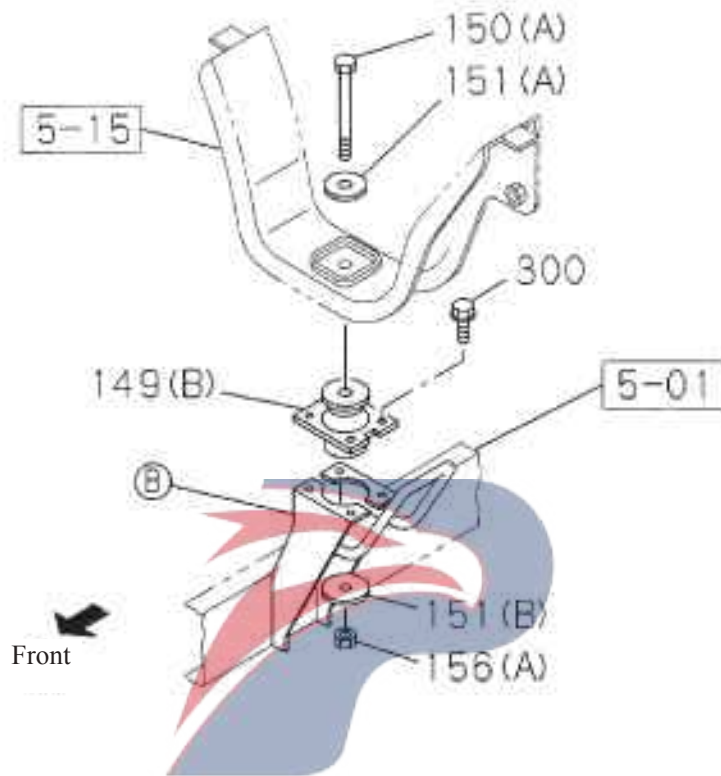


# Cab installation

Rear suspension bracket of cab- single cab

5-10

Figure No.



5-10

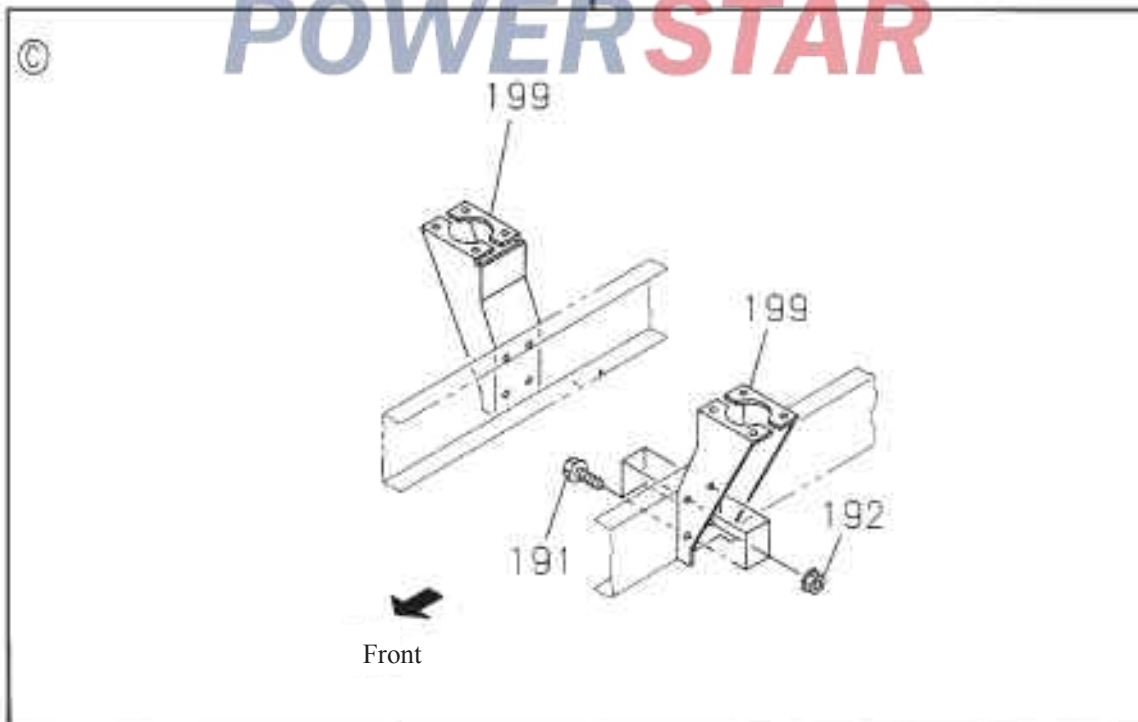
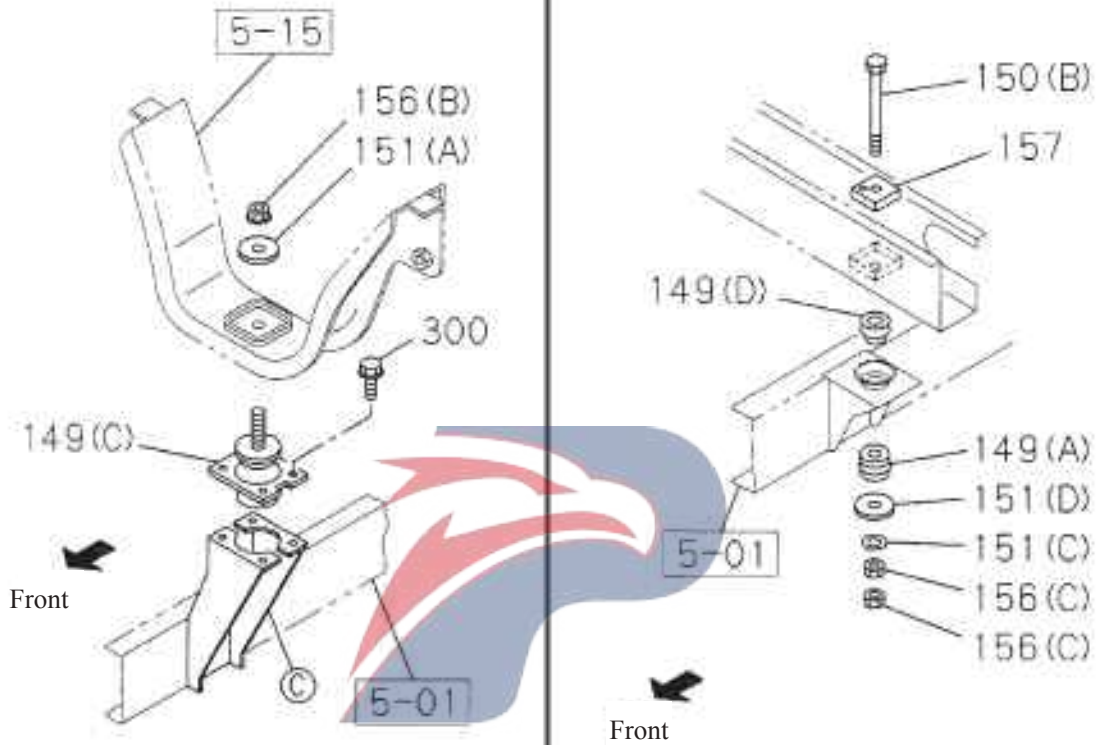
### Cab installation

Figure No.

Medium-and-rear installation bracket of cab – crew cab

Middle

Rear



Cab mounting (Car frame side)

5-10

Figure No.

S/N	Recommended specification / name of part					
	Isuzu figure No.	QingLing figure No.	Left/Right	Qty	Applicable models / applicable status / notes	
					A	Wheelbase 2490mm
					B	Wheelbase 2765mm
C					Wheelbase 3360mm	
D	Wheelbase 3815mm					
1	--- Front cab mounting bracket assembly					
	8-97033-350-3		Left	01	ABCD	
	8-97033-348-5		Right	01	ABCD	
2	--- Lining- front cab mounting rod					
	8-97061-514-0			02	ABCD	
7	--- Flange bolt- front cab mounting bracket fixation					
	0-28681-240-0	Q1841240		08	ABCD M12×40	
18	--- Nut plate- front cab mounting bracket fixation					
	8-97034-139-2	2700210-803		02	ABCD (B)	
	8-97034-140-2	2700220-803		02	ABCD (A)	
20	--- Rubber blanket- front cab mounting bracket					
	8-97033-368-2			02	ABCD	
149	--- Rubber blanket- front and rear cab mounting					
	8-97086-442-3	2700230-803		02	ABCD Single cab (B)	
		2700113-801		02	ABC 4JB1 engine only for rear mounting of crew cab -upper BCD 4 KH1 engine only for rear mounting of crew cab -upper	
	5-53459-041-0	2700114-801		02	BC 4JB1 engine seat rear mounting-lower	
				02	BCD 4KH1 engine seat rear mounting-lower Height = 26.5	

5-10		Cab mounting (Car frame side)				
Figure No.						
S/N	Recommended specification / name of part					
	Isuzu figure No.	QingLing figure No.	Left/Right	Qty	Applicable models / applicable status / notes	
					A _____ Wheelbase 2490mm B _____ Wheelbase 2765mm C _____ Wheelbase 3360mm D _____ Wheelbase 3815mm	
149	<b>--- Rubber blanket-front and rear mounting of cab</b>					
	8-94128-501-0	2700112-801		02	ABC 4JH1 engine only for rear mounting of crew cab-middle BCD 4KH1 engine, only for crew-cab, rear mounting-middle (A) Height = 30.6	
	8-97086-440-1	2700130-801		02	ABC 4JB1 engine seat only for rear mounting of crew cab-middle BCD 4KH1 engine, only for crew-cab, rear mounting-middle (C)	
150	<b>--- Bolt- rear mounting of cab</b>					
	0-28881-690-0	Q1841690		02	ABC 4JH1 engine only for single cab BCD 4KH1 engine, only for single cab (A)	
	8-94128-717-1	5001211-26		02	ABC 4JB1 engine seat only for crew cab BCD 4KH1 engine, only for crew cab (B) M10× 105	
151	<b>--- Flat washer – rear installation at cab</b>					
	8-97034-382-0	2700214-803		02	BCD 4JB1 engine, only for single cab ABC 4JB1 engine, only for single cab (B) Inside diameter =16.4 Outer diameter = 62	
	8-97034-383-1	2700213-803		02	ABCD (A) Inside diameter =16.5 Outer diameter = 58	

Cab mounting (Car frame side)

5-10

Figure No.

S/N	Recommended specification / name of part					
	Isuzu figure No.	QingLing figure No.	Left/Right	Qty.	Applicable models / applicable status / notes	
					A	Wheelbase 2490mm
					B	Wheelbase 2765mm
C					Wheelbase 3360mm	
D	Wheelbase 3815mm					
151	--- Flat washer – rear installation at cab					
9-09851-423-0	Q40210		02	ABC	4JB1 engine, only for crew cab	
				BCD	4KH1 engine, only for crew cab	
				(C)	Outer diameter =33 Inner diameter =10 Thickness =3.2	
9-53459-048-0	5001212-26		02	ABC	4JB1 engine, only for crew cab	
				BCD	4KH1 engine, only for crew cab	
				(D)	Inside diameter =14 Outer diameter = 60	
156	--- Nut-cab mounting					
9-99111-416-0	Q351B16		02	ABC	4JB1 engine, only for single cab	
				BCD	4KH1 engine, only for single cab	
				(A)	M16	
0-91150-114-0	Q32014		02	ABC	4JB1 engine, only for crew cab	
				BCD	4KH1 engine, only for crew cab	
				(B)	M14	
9-09110-410-0	Q341C10		04	ABC	4JB1 engine, only for crew cab	
				BCD	4KH1 engine, only for crew cab	
				(C)	M10	
157	--- Rear mounting of rubber blanket in cab-upper					
9-53459-603-0	2700113-801		02	ABC	4JB1 engine, only for single cab	

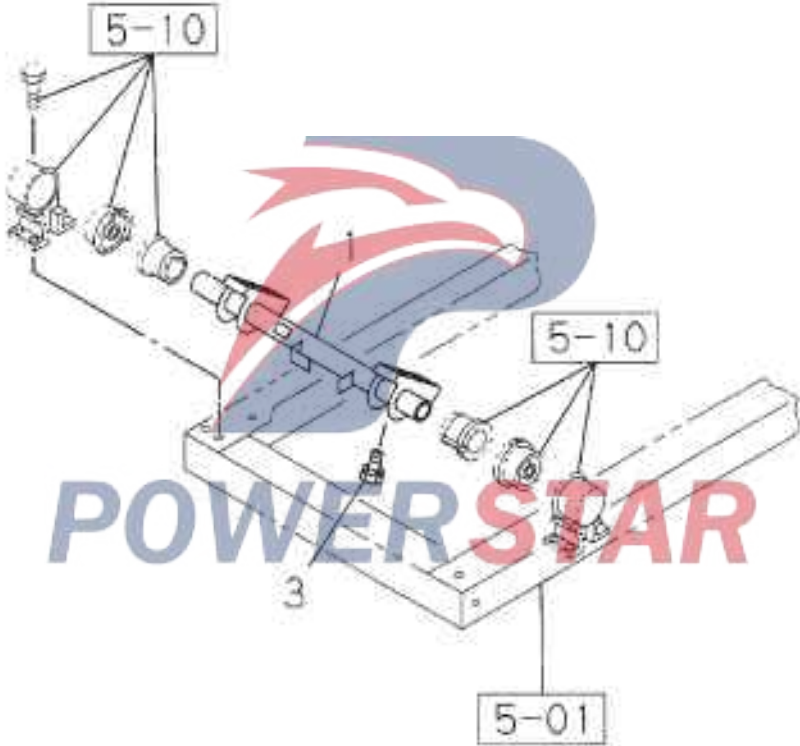


5-10		Cab mounting (Car frame side)				
Figure No.						
S/N	Recommended specification / name of part					
	Isuzu figure No.	QingLing figure No.	Left/Right	Qty.	Applicable models / applicable status / notes	
					A Wheelbase 2490mm B Wheelbase 2765mm C Wheelbase 3360mm D Wheelbase 3815mm	
191	--- Flange bolt-mounting bracket of cab					
	0-28681-235-0	Q1841235		08	ABCD M12× 35	
192	--- Flange nut-mounting bracket of cab					
	0-91150-112-0	Q32012		08	ABCD M12	
199	--- Mounting bracket of cab					
	8-97086-445-2	2700050-803	Left	01	ABCD	
	8-97086-447-1	2700060-803	Right	01	ABCD	
300	--- Flange bolt- rubber mounted to the bracket of cab					
	0-28681-020-0	Q1841020		08	ABCD M10× 20	

Cab mounting (cab side)

5-15

Figure No.

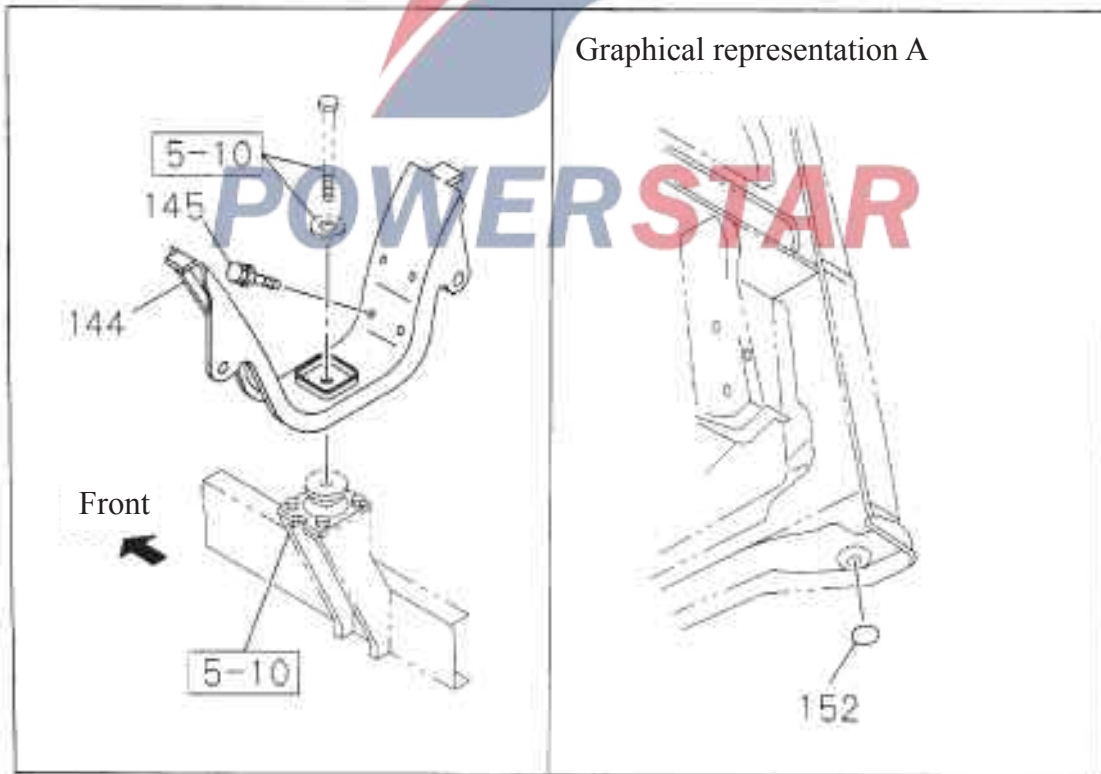
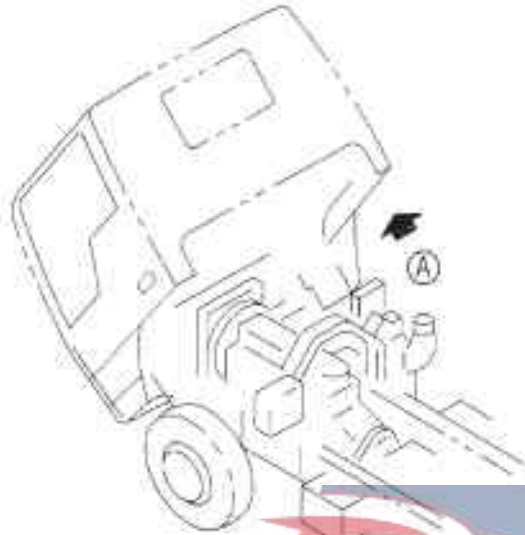


5-15

Cab mounting (cab side)

Figure No.

Single row

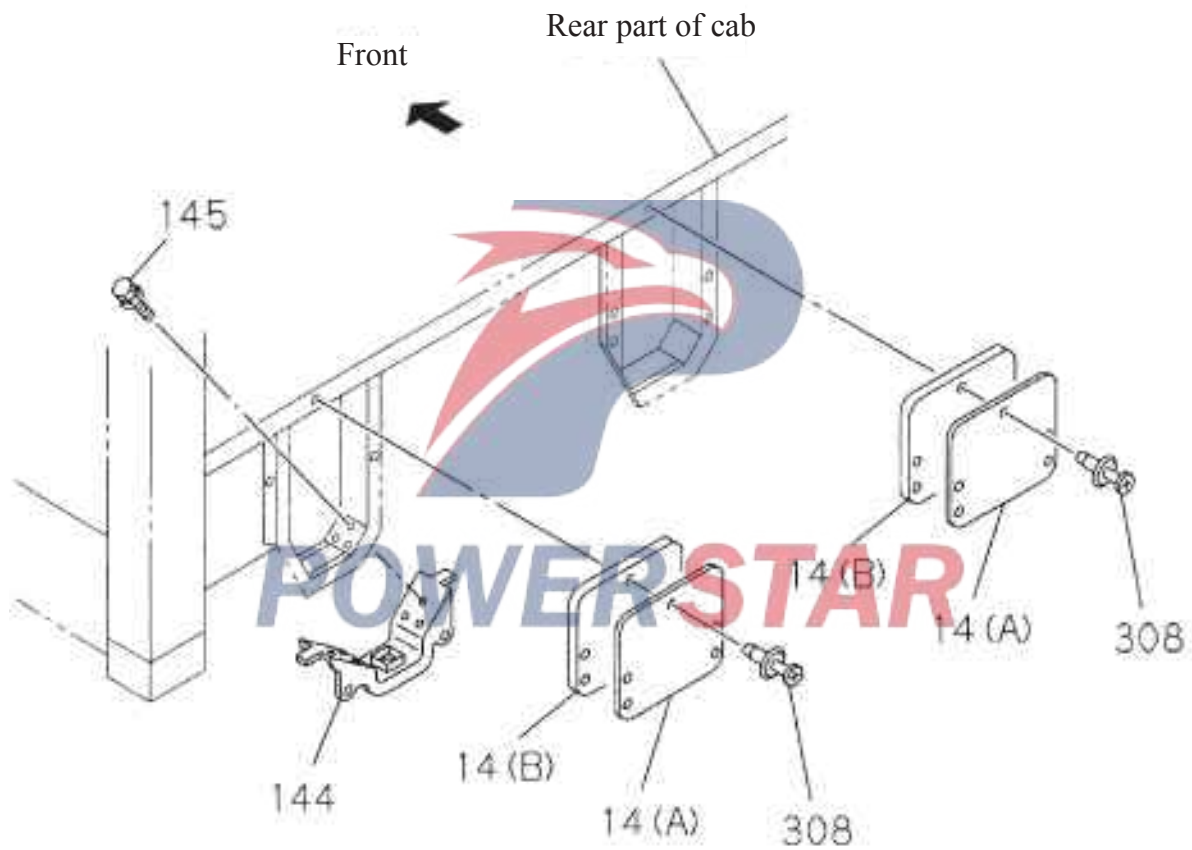


Cab mounting (cab side)

Crew cab

5-15

Figure No.



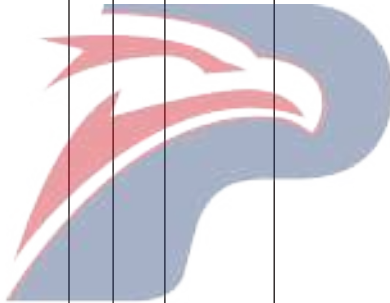
5-15		Cab mounting (cab side)				
Figure No.						
S/N	Recommended specification / name of part					
	Isuzu figure No.	QingLing figure No.	Left/Right	Qty.	Applicable models / applicable status / notes	
					A Wheelbase 2490mm B Wheelbase 2765mm C Wheelbase 3360mm D Wheelbase 3815mm	
1	--- Front cab mounting rod assembly					
	8-97328-488-0	2700010-803		01	ABCD	
3	--- Bolt-cab to mounting rod					
	8-97326-378-0	700211-803		04	ABCD M12×37	
14	--- Hole cover-rear mounting bracket					
	8-94273-738-3	5107161-10		02	ABC 4JB1 engine, only for crew cab BCD 4KH1 engine, only for crew-cab (A) Length = 125	
	8-94273-857-3	6204135-801		02	ABC 4JB1 engine only for sealing pad of crew cab-hole cover BCD 4KH1 engine only for sealing pad of crew cab-hole cover (B) Length = 124	
144	--- Bracket assembly-rear mounting					
	8-97853-066-4	5101710-10		02	ABC 4JB1 engine, single cab BCD 4KH1 engine, single cab	
	8-97853-060-4	5101710-10		02	ABC 4JB1 engine, only for crew cab BCD 4KH1 engine, only for crew cab	
145	--- Assembling bolt- bracket assembly					
	8-94279-208-0	Q1460825		12	ABCD M8×20	
152	--- Sealing cover sheet					
	1-76798-019-0	8200143-803		04	ABC 4JH1 engine for single cab BCD 4KH1 engine, single cab Outer diameter=25	

Cab mounting (cab side)

5-15

Figure No.

S/N	Recommended specification / name of part					
	Isuzu figure No.	QingLing figure No.	Left/Right	Qty.	Applicable models / applicable status / notes	
					A	Wheelbase 2490mm
					B	Wheelbase 2765mm
C					Wheelbase 3360mm	
D	Wheelbase 3815mm					
308	--- Blocking nail-mounting of decorative cover					
8-94146-425-0	5107235-805		06	ABC	4JB1 engine, only for crew cab	
				BCD	4KH1 engine, only for crew cab	
					Outer diameter 6×12.5	



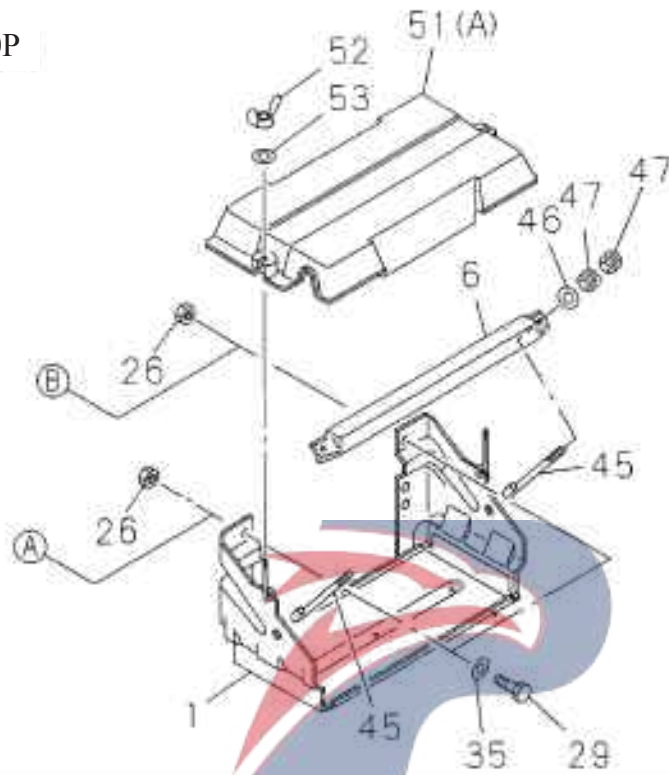
**POWERSTAR**

5-20

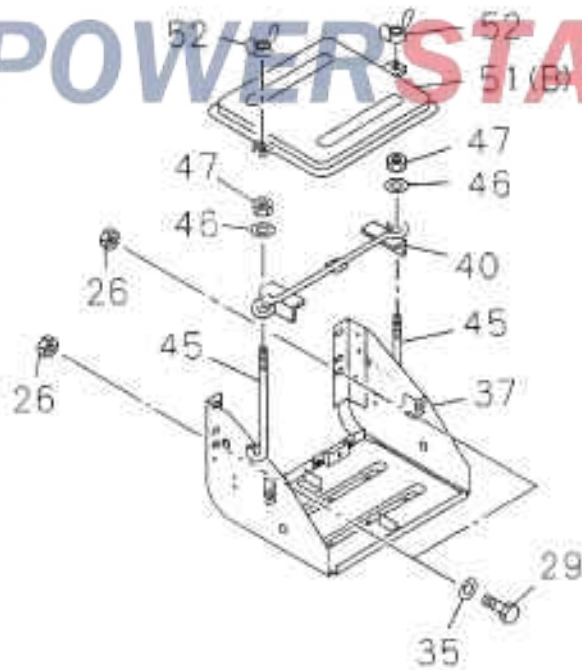
Battery frame

Figure No.

For 100P



For 600P

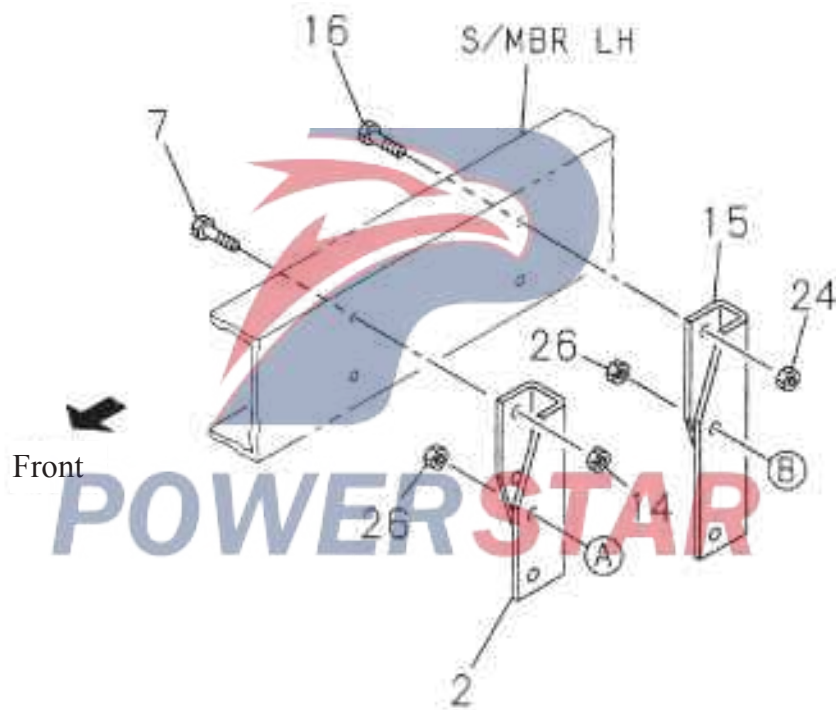




Battery frame

5-20

Figure No.



5-20		Battery frame				
Figure No.						
S/N	Recommended specification / name of part					
	Isuzu figure No.	QingLing figure No.	Left/Right	Qty.	Applicable models / applicable status / notes	
					A Wheelbase 2490mm	
					B Wheelbase 2765mm	
					C Wheelbase 3360mm	
					D Wheelbase 3815mm	
1	--- Battery frame assembly					
	8-97356-174-0	3703210-850		01	BCD 4KH1 engine	
	8-97072-544-0	3703210-10		01	ABC 4JB1 engine	
2	--- Front bracket- battery frame					
	8-97107-605-0	3703310-801		01	A	
		3703310-26		01	BC 4JB1 engine, only for crew cab	
					BCD 4KH1 engine, only for crew-cab	
6	--- Angle iron- battery frame					
	8-94108-314-0	3703231-10		01	ABC 4JB1 engine	
7	--- Flange bolts - bracket to car frame					
	0-28081-025-0	2902142-803		02	ABC 4JB1 engine, only for crew cab M10×25	
14	--- Flange nut- bracket to carframe					
	0-91150-210-0	Q32010T13		02	ABC 4JB1 engine, only for crew cab M10	
15	--- Rear bracket- battery frame					
	8-97107-606-0	3703320-801		01	A 4JB1 engine, only for crew cab	
16	--- Flange bolts - bracket to car frame					
	0-28081-025-0	2902142-803		02	BCD 4KH1 engine, only for crew-cab M10× 25	
24	--- Nut - bracket to carframe					
	9-09110-410-0	Q341C10		01	A 4JB1 engine, only for crew cab M10	

# Battery frame

# 5-20

Figure No.

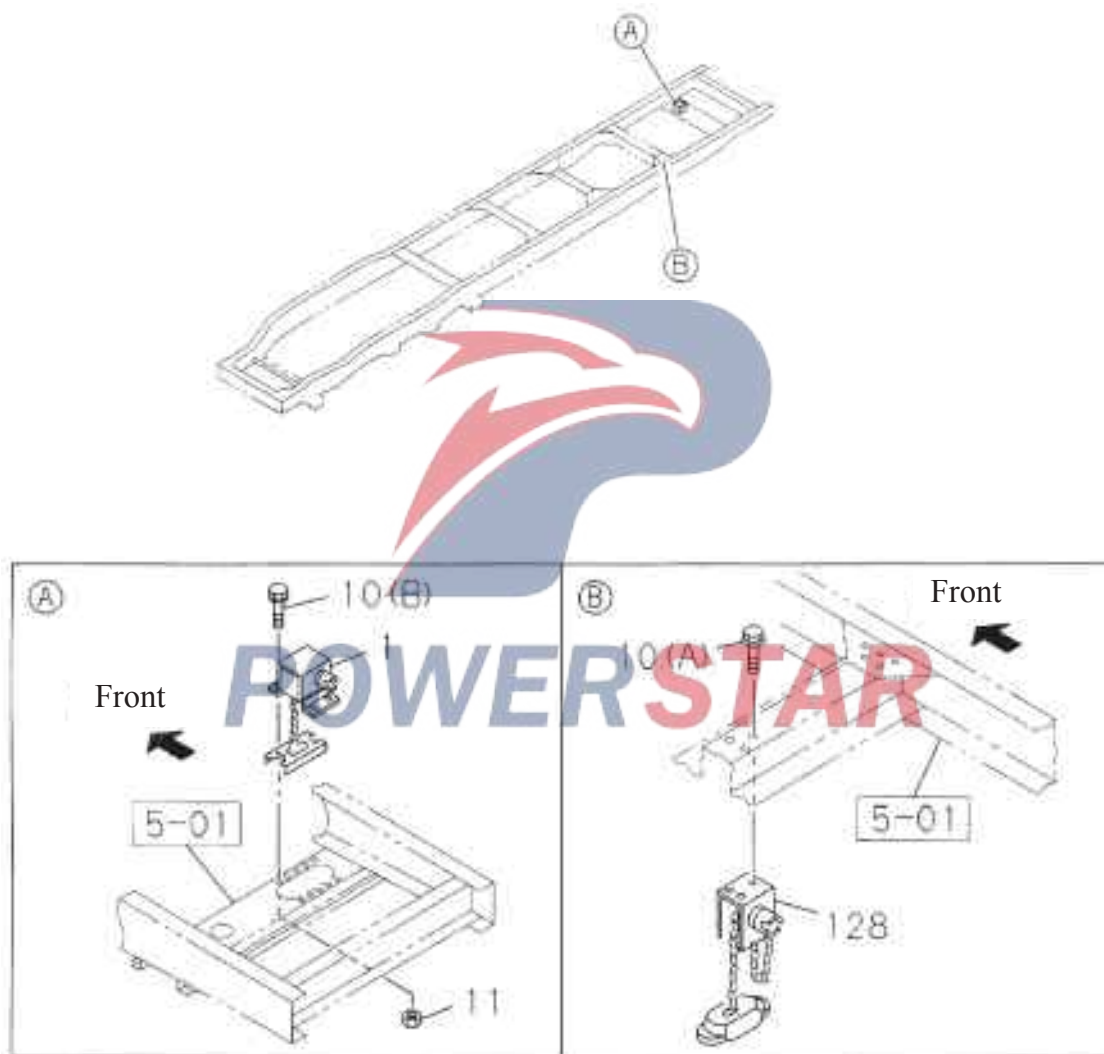
S/N	Recommended specification / name of part					
	Isuzu figure No.	QingLing figure No.	Left/Right	Qty.	Applicable models / applicable status / notes	
					A	Wheelbase 2490mm
	B	Wheelbase 2765mm				
C	Wheelbase 3360mm					
D	Wheelbase 3815mm					
26	--- Flange nut- bracket to carframe					
	0-91150-210-0	Q32010T13		04	ABC	4JB1 engine
					BCD	4KH1 engine
	0-91150-210-0	Q32010T13		02	A	4JB1 engine, only for crew cab M10
29	--- Assembling bolt- fixation of battery frame					
	0-50041-030-0	Q1421030		04	ABC	4JB1 engine
					BCD	4KH1 engine
						M10×30
35	--- Flat washer - fixation of battery frame					
	9-09160-610-0	Q40110		04	ABCD	Inside diameter =10 Thickness = 2.0
37	--- Battery frame assembly					
	8-97356-174-0	3703210-850		01	BCD	4KH1 engine
40	--- Keep plate					
	5-53615-004-1	3703410-850		01	BCD	
45	--- Tie rod bolt- battery					
	9-53616-615-0	3703221-10		02	ABCD	
46	--- Washer - fixation of battery					
	9-09160-508-0	Q40008		02	ABC	4JB1 engine Inside diameter =8
	9-09164-708-0	Q40208		02	BCD	4KH1 engine Inside diameter =8 Outer diameter = 22

5-20		Battery frame				
Figure No.						
S/N	Recommended specification / name of part					
	Isuzu figure No.	QingLing figure No.	Left/Right	Qty.	Applicable models / applicable status / notes	
A					Wheelbase 2490mm	
					B	Wheelbase 2765mm
					C	Wheelbase 3360mm
					D	Wheelbase 3815mm
47	--- Nut - fixation of battery frame					
	9-09110-408-0	Q340B08		04	ABC	4JB1 engine M8
	0-91150-108-0	Q32008		02	BCD	4KH1 engine M8
51	--- Battery cover					
	8-97313-780-0	3701421-803		01	ABC	4JB1 engine (A)
	8-97218-309-0	3703421-850		01	BCD	4KH1 engine (B)
52	--- Butterfly nut					
	9-09118-408-0	Q39008		02	BCD	4KH1 engine M8
53	--- Washer- Battery cover					
	9-09164-705-0			02	ABC	4JB1 engine Inside diameter =5.3 Outer diameter = 16

# Spare wheel up/down regulator and its installation

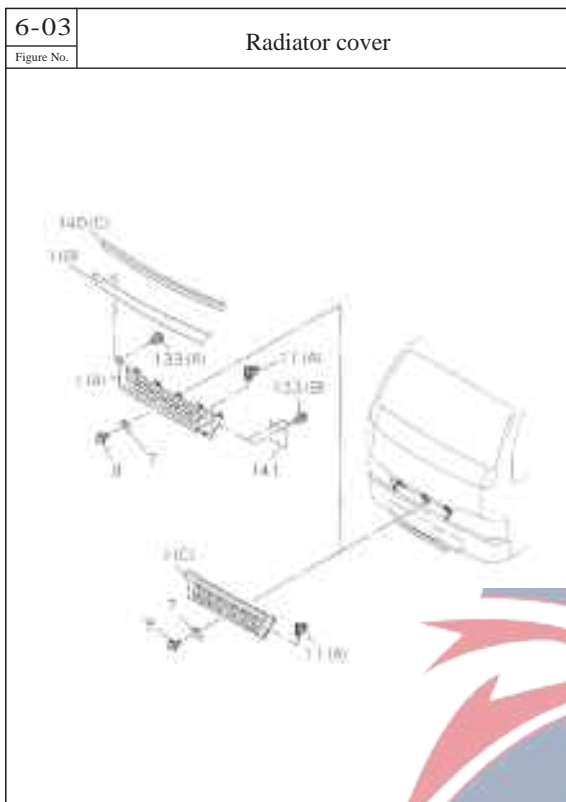
5-30

Figure No.

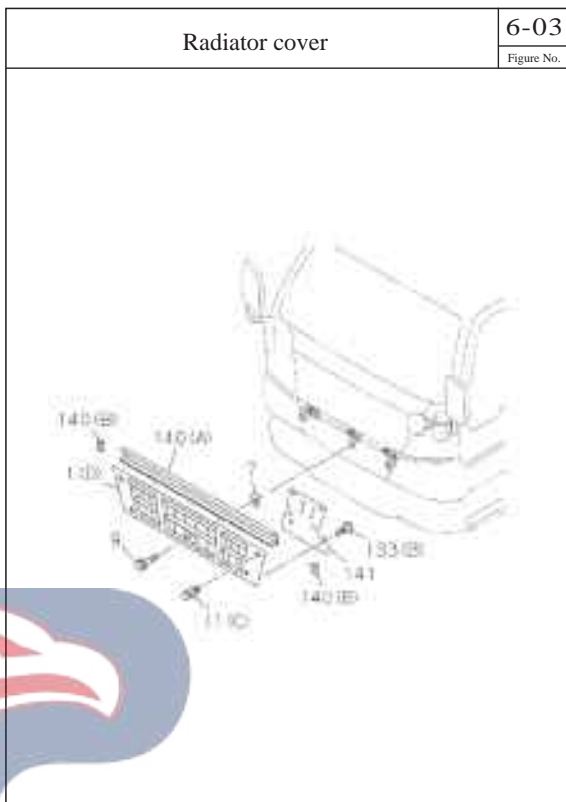


5-01		Spare wheel up/down regulator and its installation				
Figure No.						
S/N	Recommended specification / name of part					
	Isuzu figure No.	QingLing figure No.	Left/Right	Qty.	Applicable models / applicable status / notes	
					A _____ Wheelbase 2490mm	
					B _____ Wheelbase 2765mm	
					C _____ Wheelbase 3360mm	
					D _____ Wheelbase 3815mm	
1	--- Spare wheel lifter assembly					
	8-97182-113-2	3105010-15		01	BC 4JB1 engine BCD 4KH1 engine does not apply to single-cab wide body	
10	--- Flange bolt- spare wheel up-down regulator and carframe					
	0-28680-820-0	Q1840820		03	AB 4JB1 engine (A) M8× 20	
	0-28680-820-0	Q1840820		04	BC 4JB1 engine BCD 4KH1 engine (B) M8× 20	
11	--- Flange nut- spare wheel up-down regulator and car frame					
	0-91150-108-0	Q32008		04	BC 4JB1 engine BCD 4KH1 engine M8	
128	--- Spare wheel lifter assembly					
	8-94380-175-0	3105010-10		01	AB 4JB1 engine	
		3105010-861		01	D 4KH1 engine only applies to single-cab wide body	

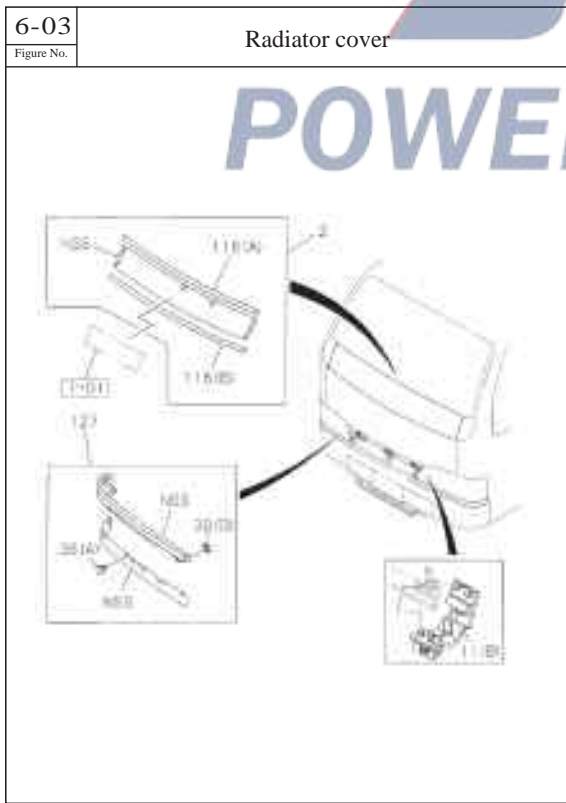
Catalogue of 4KH1 - TC engine



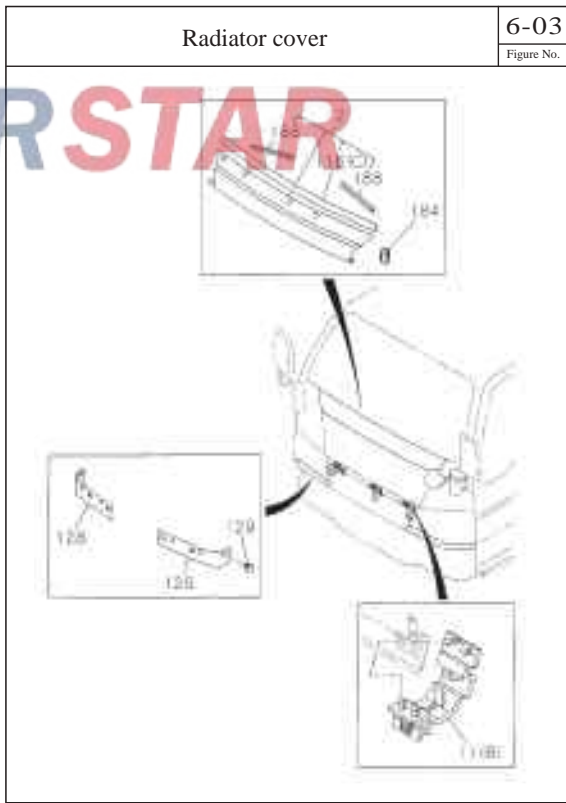
P- 434



P- 435



P- 436

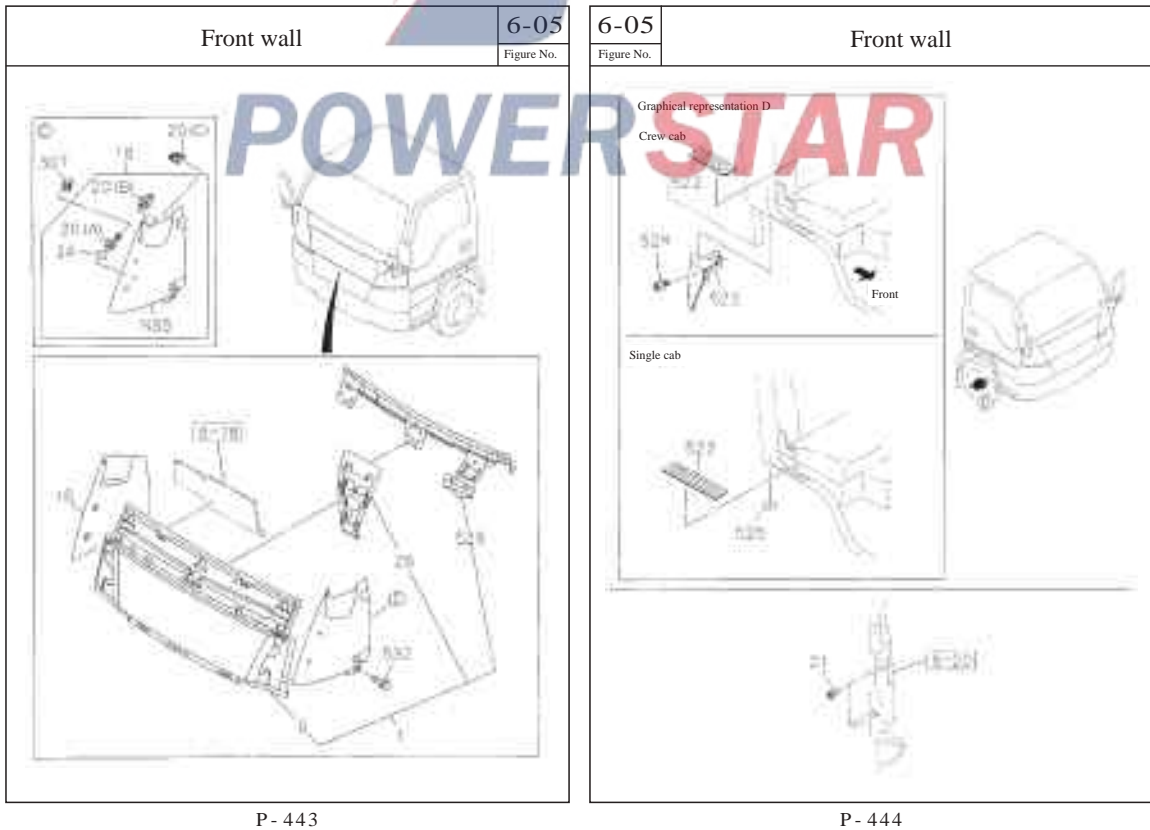
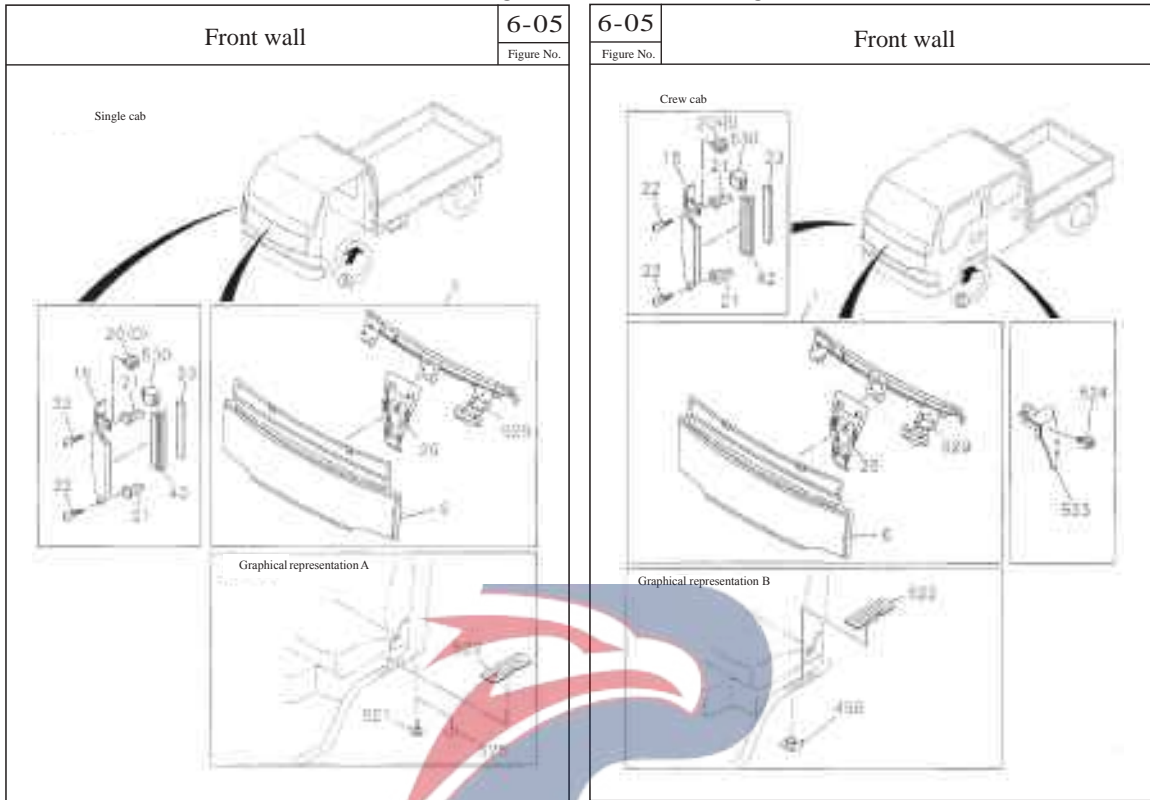


P- 437

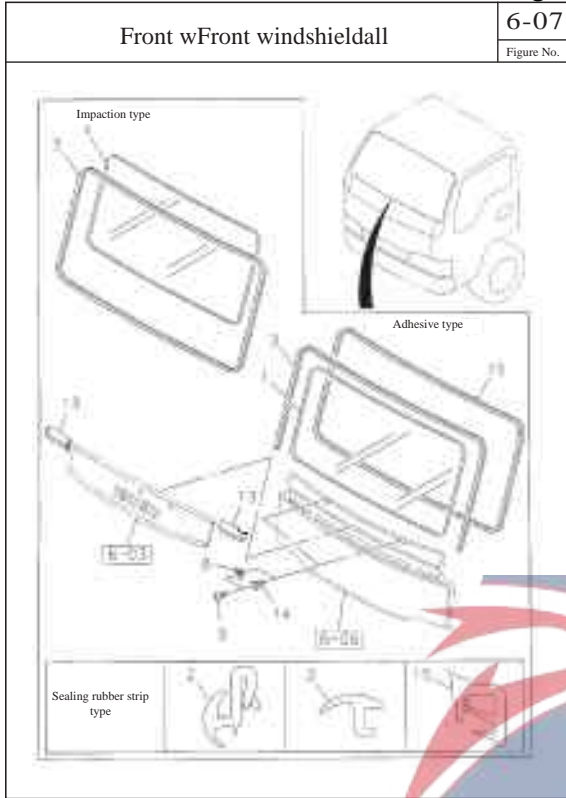
POWERSTAR



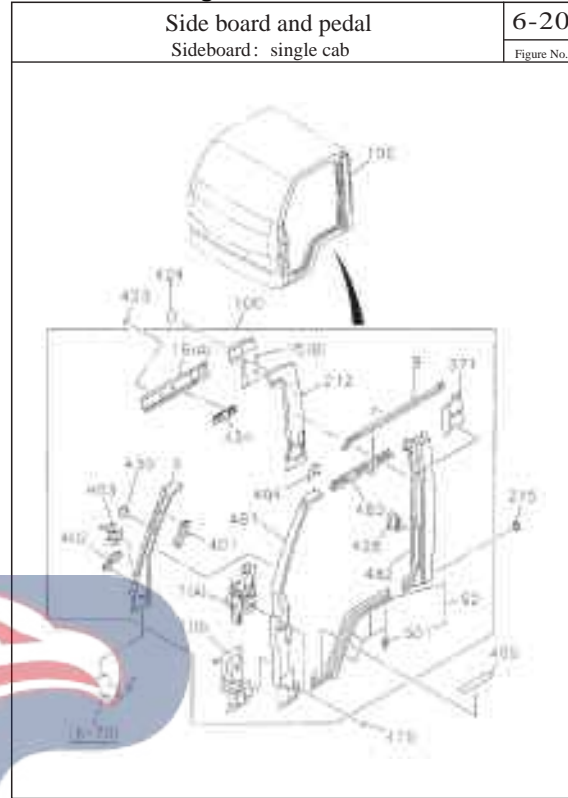
### Catalogue of 4KH1 - TC engine



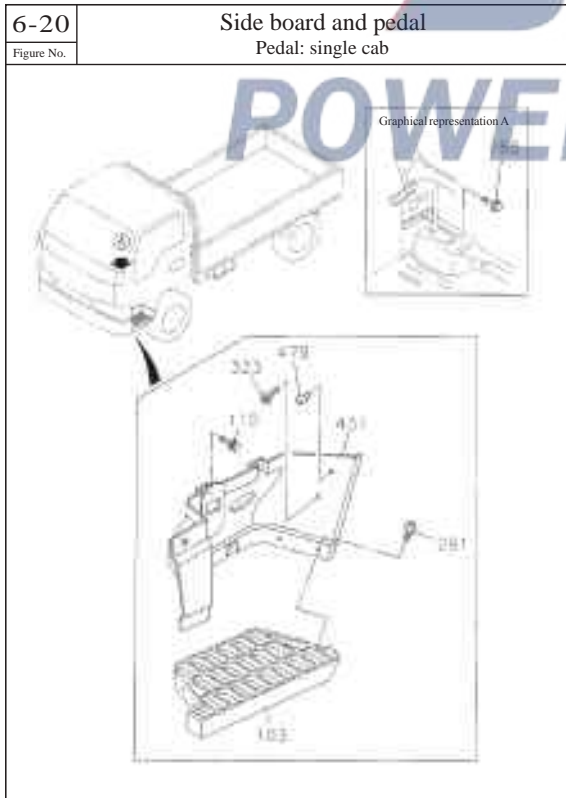
### Catalogue of 4KH1 - TC engine



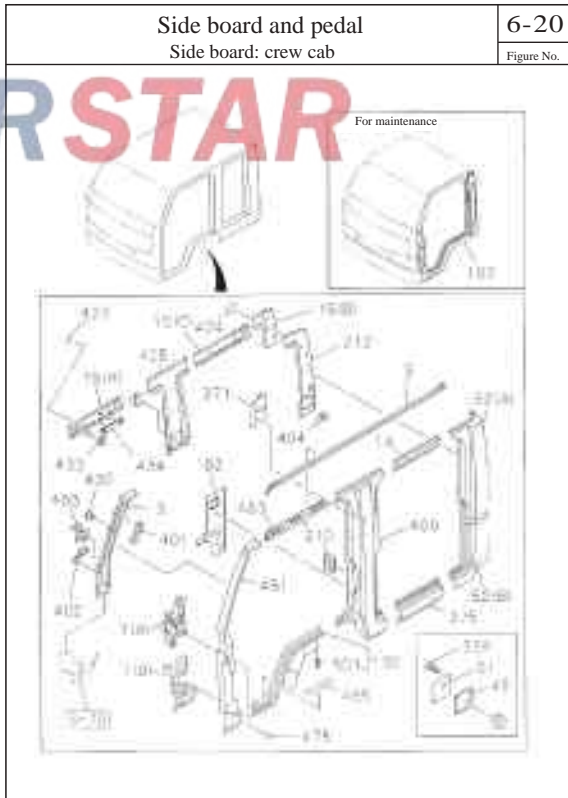
P - 449



P - 451

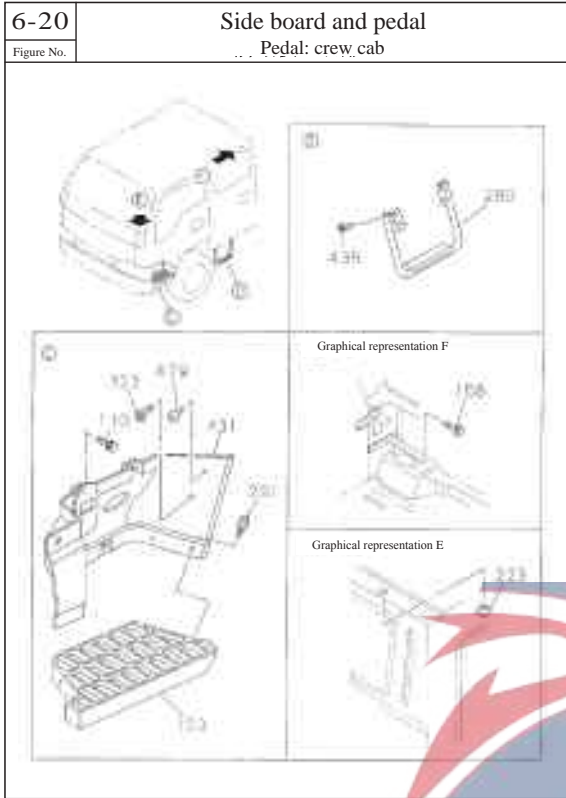


P - 452

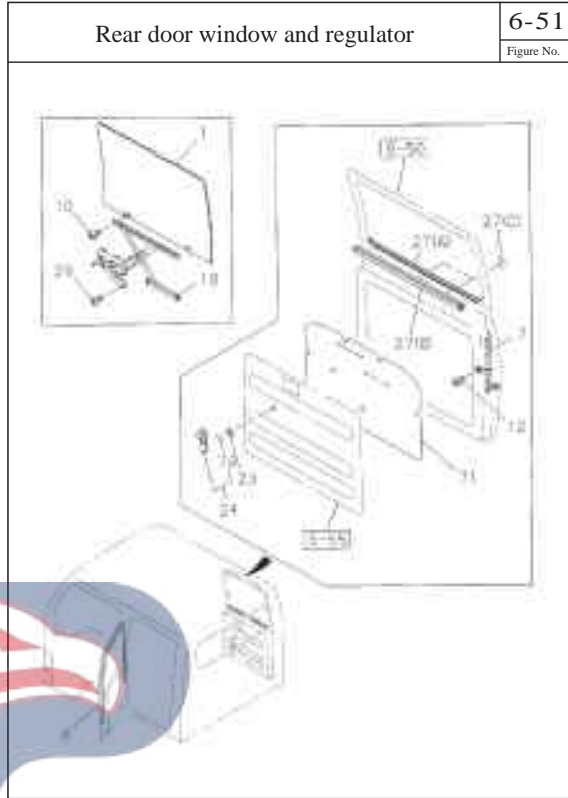


P - 453

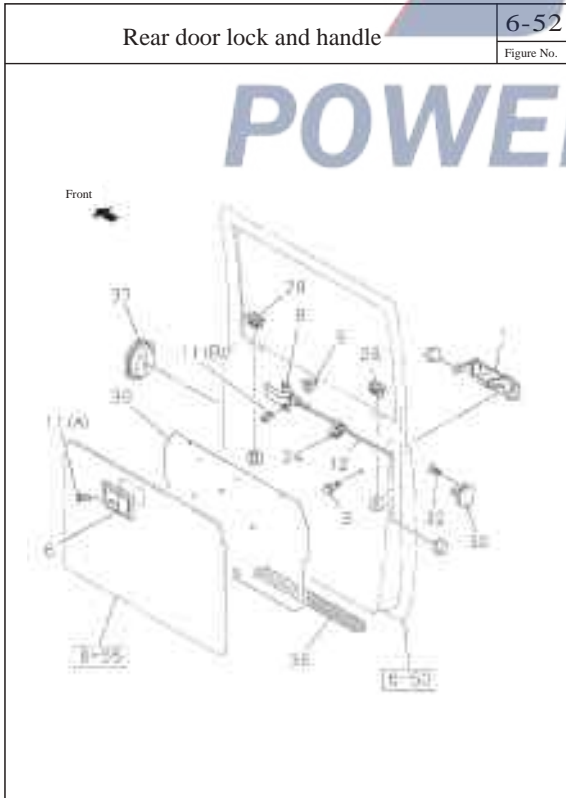
Catalogue of 4KH1 - TC engine



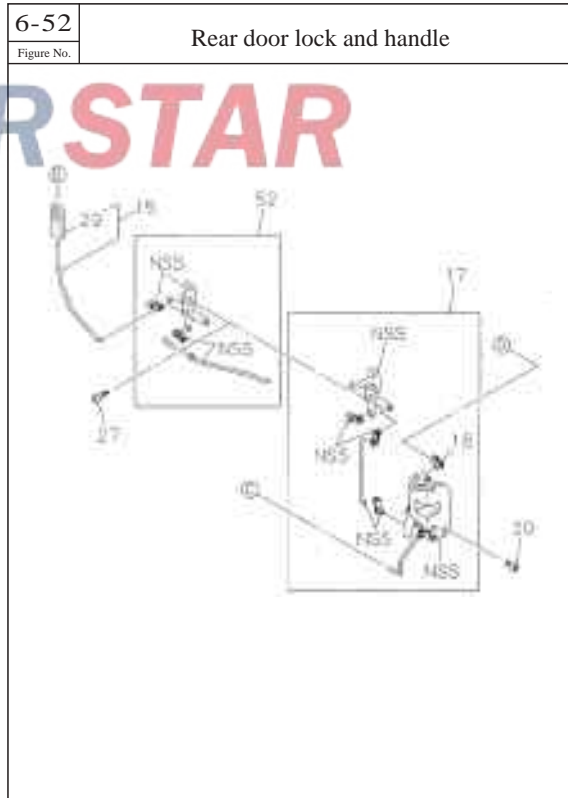
P - 454



P - 463



P - 467



P - 468

### Catalogue of 4KH1 - TC engine

<p>Internal trims of rear door</p> <p>6-55 Figure No.</p>	<p>6-60 Figure No.</p> <p>Roof cover Single cab</p>
<p>P - 473</p>	<p>P - 476</p>

<p>Roof cover Crew cab</p> <p>6-60 Figure No.</p>	<p>6-66 Figure No.</p> <p>Top cover lining and decorating parts Single cab</p>
<p>P - 477</p>	<p>P - 480</p>

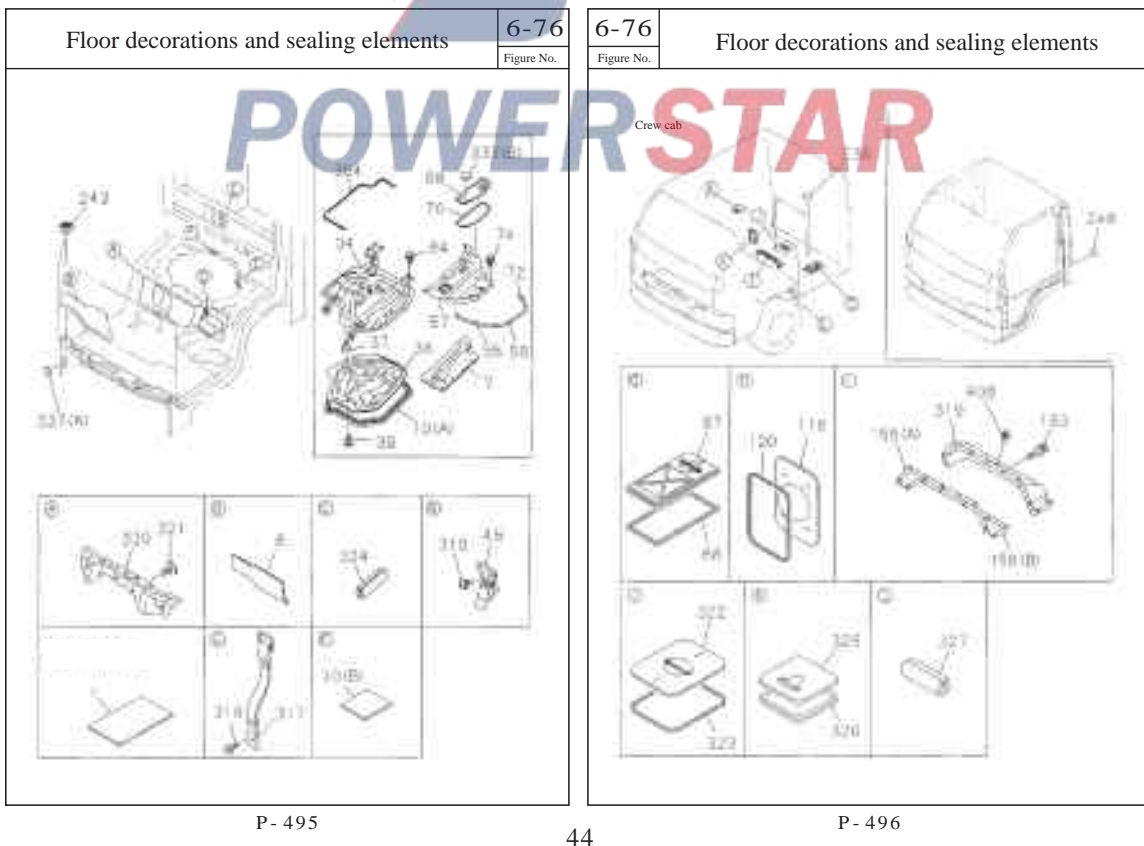
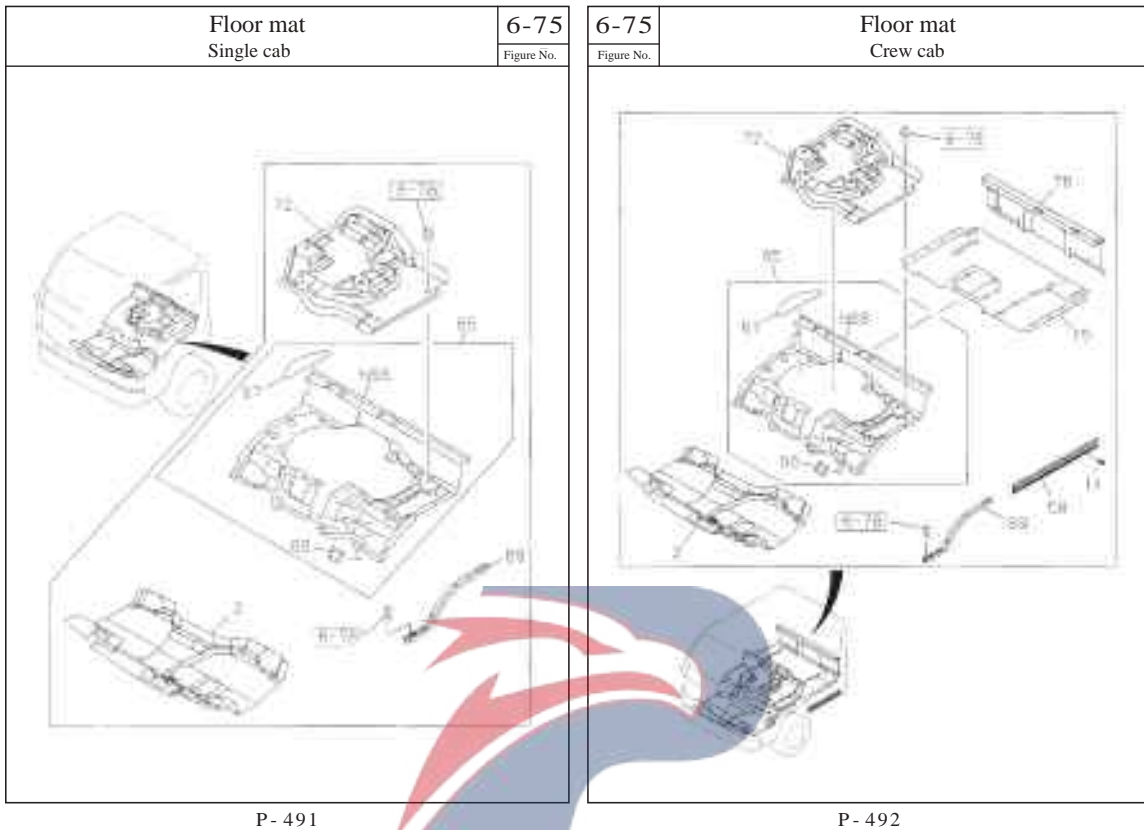
### Catalogue of 4KH1 - TC engine

<p>Top cover lining and decorating parts Crew cab</p> <p>Figure No. 6-66</p>	<p>Figure No. 6-70</p> <p>Floor Single cab</p>
<p>P - 481</p>	<p>P - 484</p>

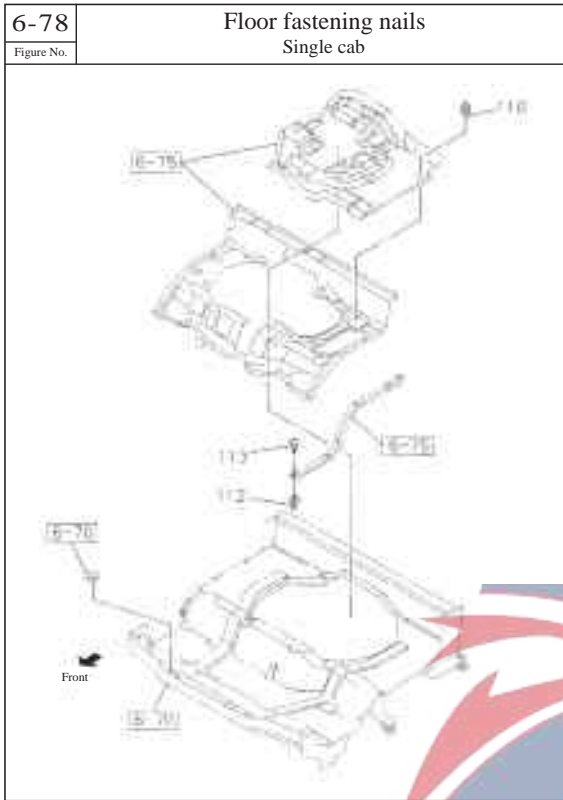
<p>Floor Crew cab</p> <p>Figure No. 6-70</p>	<p>Figure No. 6-70</p> <p>Floor Front mounting crossbeam</p>
<p>P - 485</p>	<p>P - 486</p>



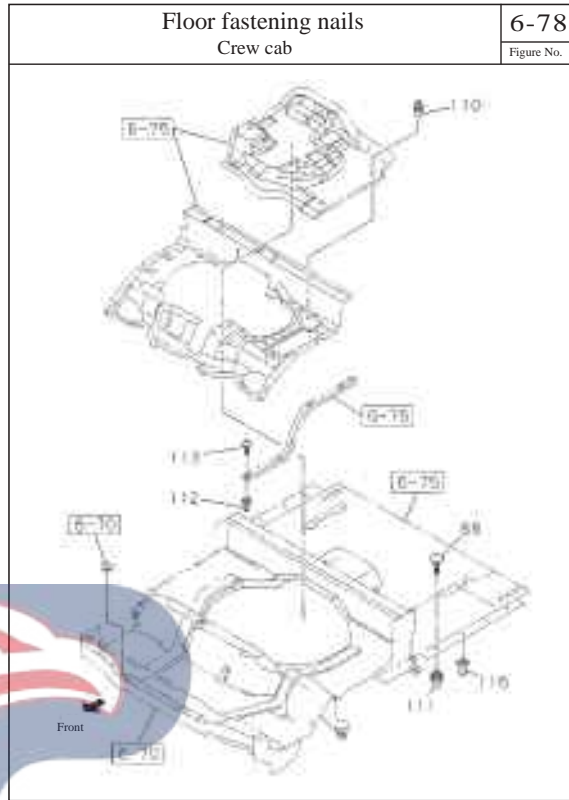
### Catalogue of 4KH1 - TC engine



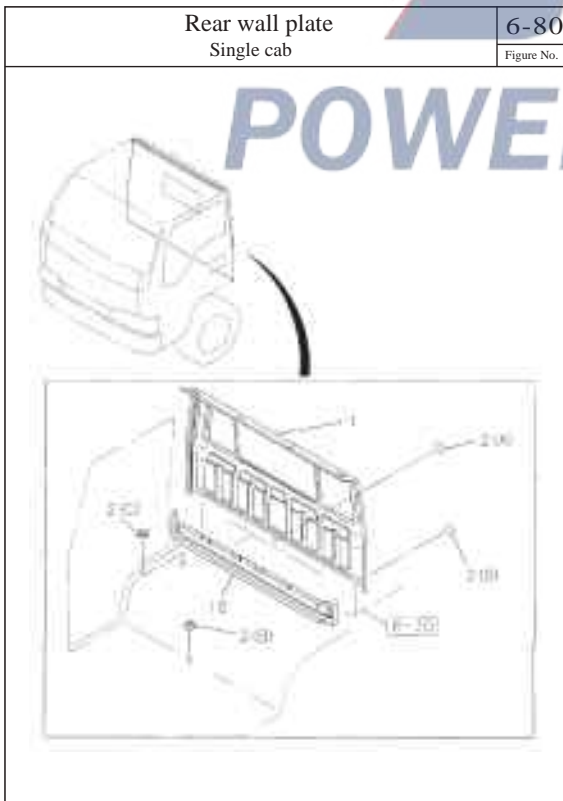
### Catalogue of 4KH1 - TC engine



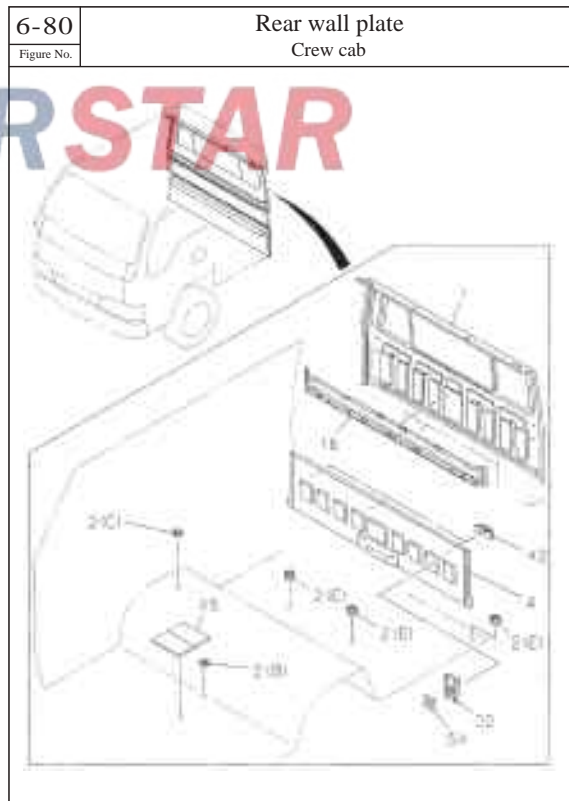
P - 504



P - 505



P - 507

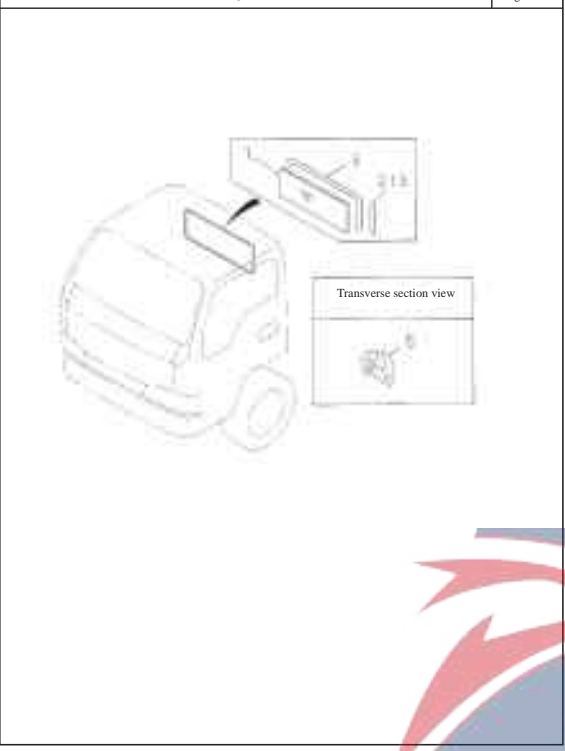
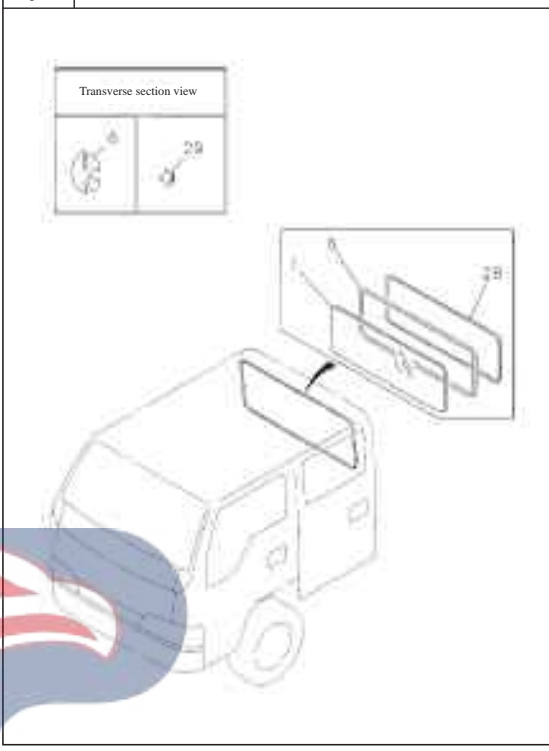


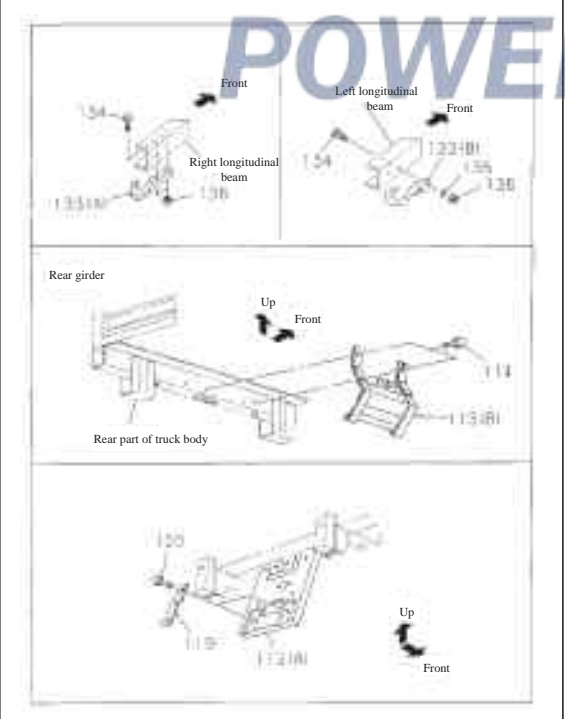
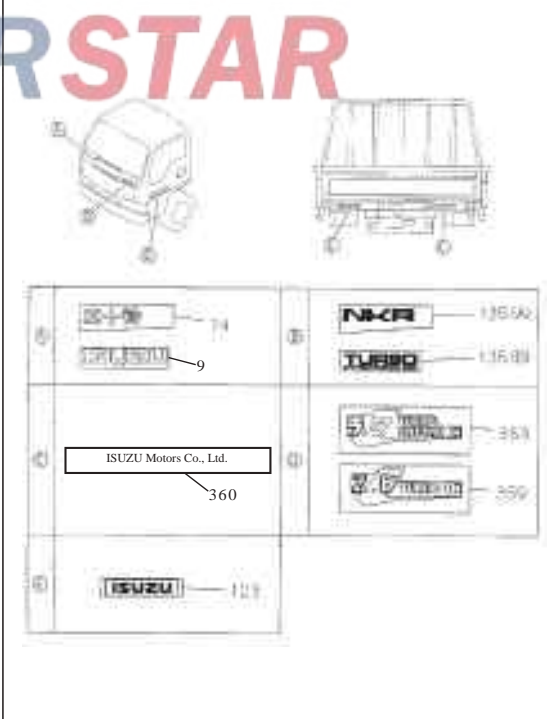
P - 508

**POWERSTAR**



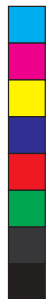
### Catalogue of 4KH1 - TC engine

<p><b>Rear window and sealing rubber strip</b> Single cab</p> <p style="text-align: right;"><b>6-82</b> Figure No.</p>  <p style="text-align: center;">P - 511</p>	<p><b>Rear window and sealing rubber strip</b> Crew cab</p> <p style="text-align: right;"><b>6-82</b> Figure No.</p>  <p style="text-align: center;">P - 512</p>
--	---

<p><b>6-90</b> Figure No.</p> <p style="text-align: center;"><b>Rear Bumper</b></p>  <p style="text-align: center;">P - 514</p>	<p><b>7-01</b> Figure No.</p> <p style="text-align: center;"><b>Lable and illustration plate</b></p>  <p style="text-align: center;">P - 518</p>
--	--



**POWERSTAR**

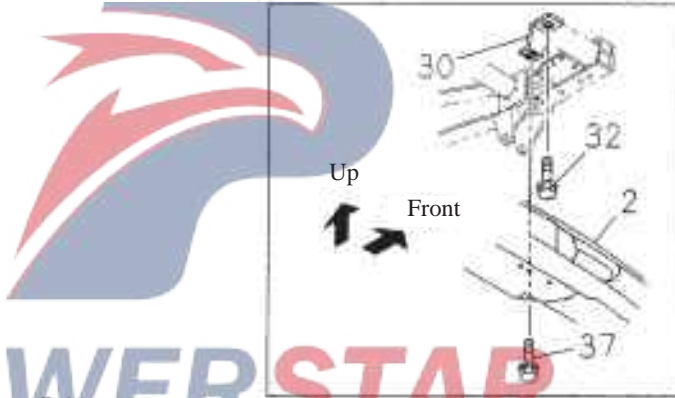
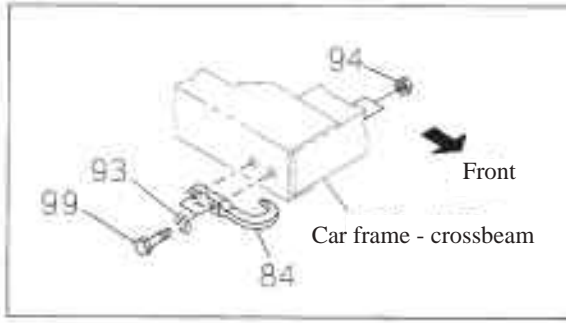




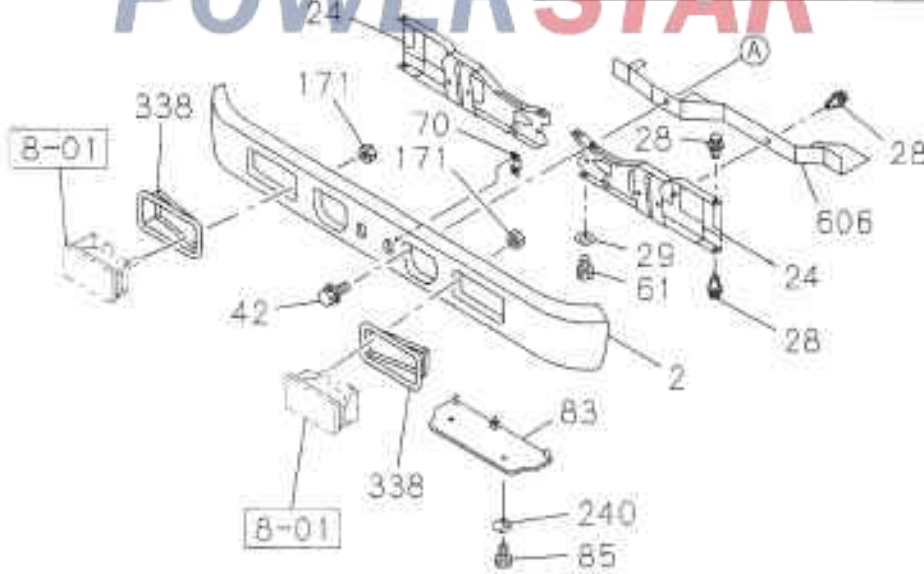
# 6-01

## Front Bumper

Figure No.



# POWERSTAR



## Front Bumper

6-01

Figure No.

S/N	Recommended specification / name of part					
	Isuzu figure No.	QingLing figure No.	Left/Right	Qty	Applicable models / applicable status / notes	
					A	Wheelbase 2490mm
					B	Wheelbase 2765mm
					C	Wheelbase 3360mm
					D	Wheelbase 3815mm
2	<b>--- Front Bumper</b>					
	8-97581-870-0	2803011-10		01	ABC	4JB1 engine orchid
		2803011-10		01	BCD	4KH1 engine, blue
		2803011-861		01	BCD	4KH1 engine, blue
24	<b>--- Framework assembly- automobile bumper</b>					
	8-97070-818-4	2803130-803	Left	01	BCD	4KH1 engine
	8-97070-818-4	2803130-803	Left	01	ABC	4JB1 engine
	8-97070-817-4	2803140-803	Right	01	BCD	4KH1 engine
	8-97070-817-4	2803140-803	Right	01	ABC	4JB1 engine
		2803140-861	Left	01	BCD	4KH1 engine
		2803140-861	Right	01	BCD	4KH1 engine
28	<b>---Fastening nail- framework</b>					
	8-94242-150-0	2803224-803		12	ABCD	Outer diameter = 5.8
29	<b>--- Flat washer- front bumper</b>					
	8-94167-476-0	2803223-803		06	ABCD	Inside diameter =8.5
30	<b>--- Bracket- front bumper on car frame</b>					
	8-97093-639-3	2803111-803		02	ABCD	
32	<b>--- Flange bolts- bracket to car frame</b>					
	0-28680-825-0	Q1840825		02	ABCD	M8× 25
37	<b>--- Bolt - automobile bumper to bracket</b>					
	8-94279-148-1	2803222-803		02	ABCD	M8× 22

6-01		Front Bumper				
Figure No.						
S/N	Recommended specification / name of part					
	Isuzu figure No.	QingLing figure No.	Left/Right	Qty.	Applicable models / applicable status / notes	
A					B	C
					Wheelbase 2490mm	
					Wheelbase 2765mm	
					Wheelbase 3360mm	
					Wheelbase 3815mm	
42	--- Bolt - front bumper on car frame					
	8-97101-865-0	2803221-803		04	ABCD M10× 35	
61	--- Combination bolt - framework					
	0-50040-818-0	Q1420818		06	ABCD M8× 18	
70	--- Bracket- license plate					
	8-94151-164-1	2803121-803		02	ABCD	
83	--- Wind deflector- front bumper					
	8-97076-832-2	2803012-10		01	ABCD	
84	--- Front towing hook					
	8-94249-270-2	2806011-10		01	ABCD	
85	--- Bolt - air guide sleeve					
	8-97012-072-0	2803225-803		03	ABCD M6× 22	
93	--- Heavy spring washer- front towing hook on car frame					
	9-09150-814-0	Q40514		02	ABCD Inside diameter =14	
94	--- Nut - front towing hook on car frame					
	9-99110-514-0	Q341B14T13		02	ABCD M14	

## Front Bumper

# 6-01

Figure No.

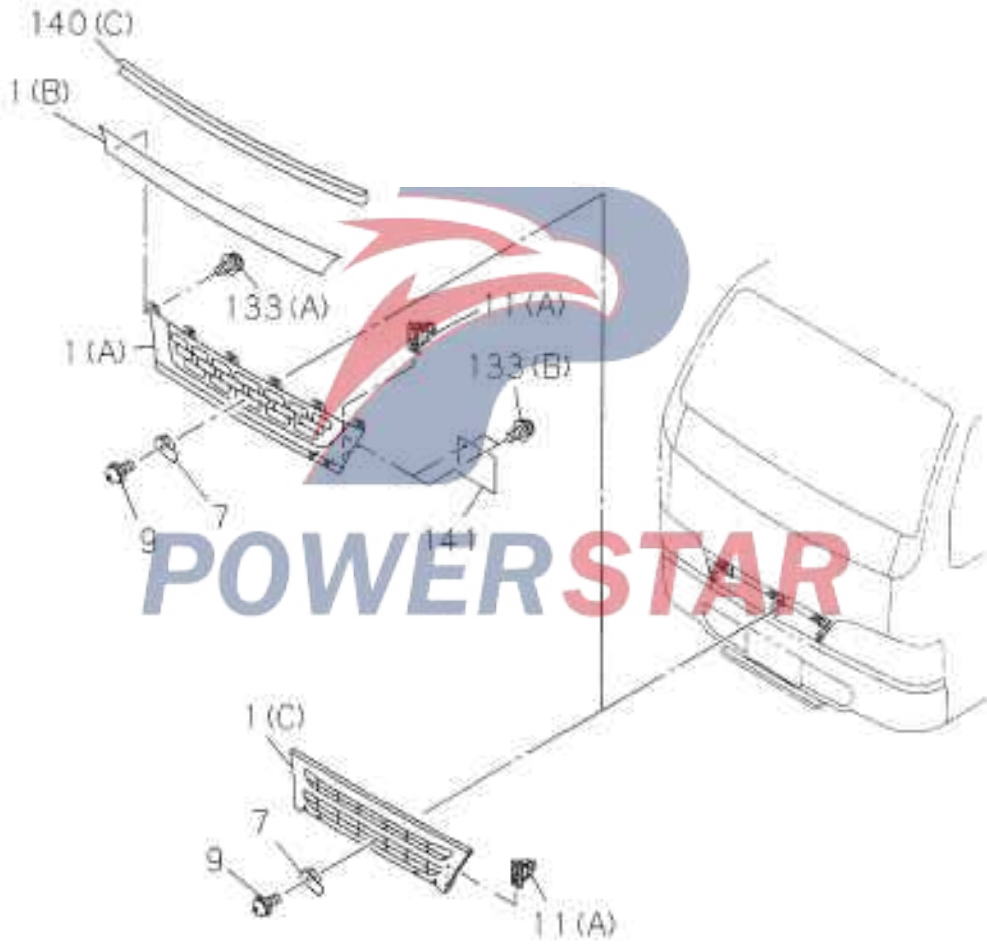
S/N	Recommended specification / name of part				
	Isuzu figure No.	QingLing figure No.	Left/Right	Qty.	Applicable models / applicable status / notes
					A B C D
99	--- Bolt - front towing hook on car frame 0-10806-450-0   Q151B1450     02   ABCD   <span style="float: right;">M14× 50</span>				
171	--- Nut - framework 1-09464-018-1   2803226-803     04   ABCD   <span style="float: right;">M8</span>				
240	--- Wedge-shaped nut-wind deflector 8-97210-973-1   2803228-803     03   ABCD   <span style="float: right;">M6</span>				
338	--- Lamp frame-foglight 8-97866-836-0     Left   01   ABCD   8-97866-835-0     Right   01   ABCD				
606	--- Sealing strip-bumper framework 8-97867-844-0   2803115-803     02   ABCD				



# 6-03

## Radiator cover

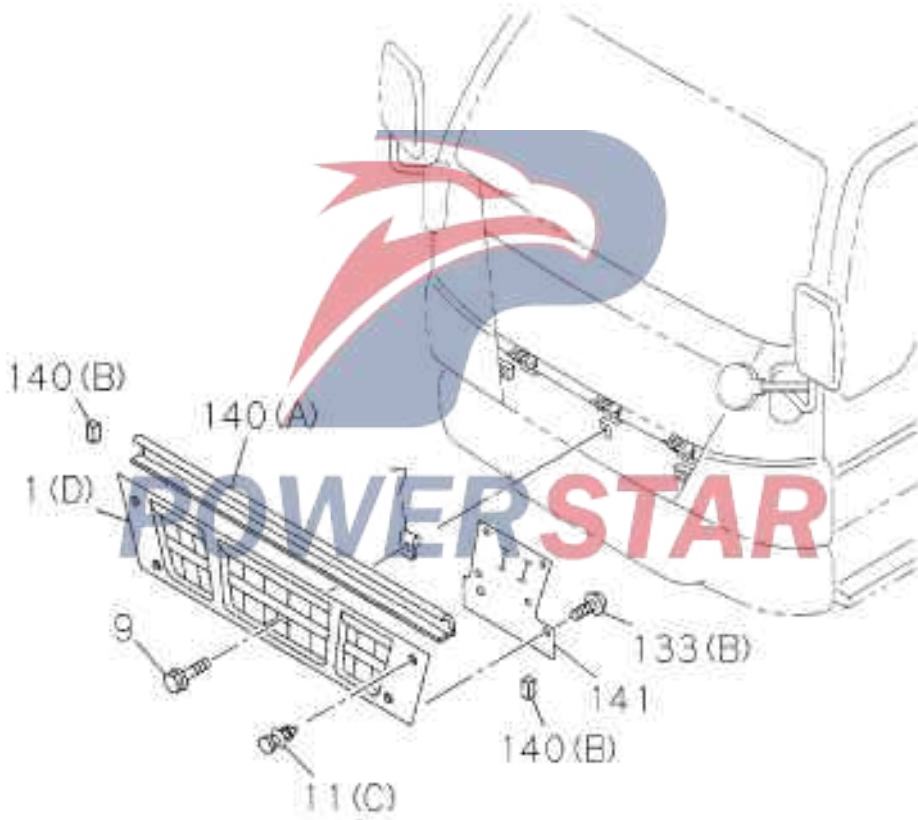
Figure No.



# Radiator cover

6-03

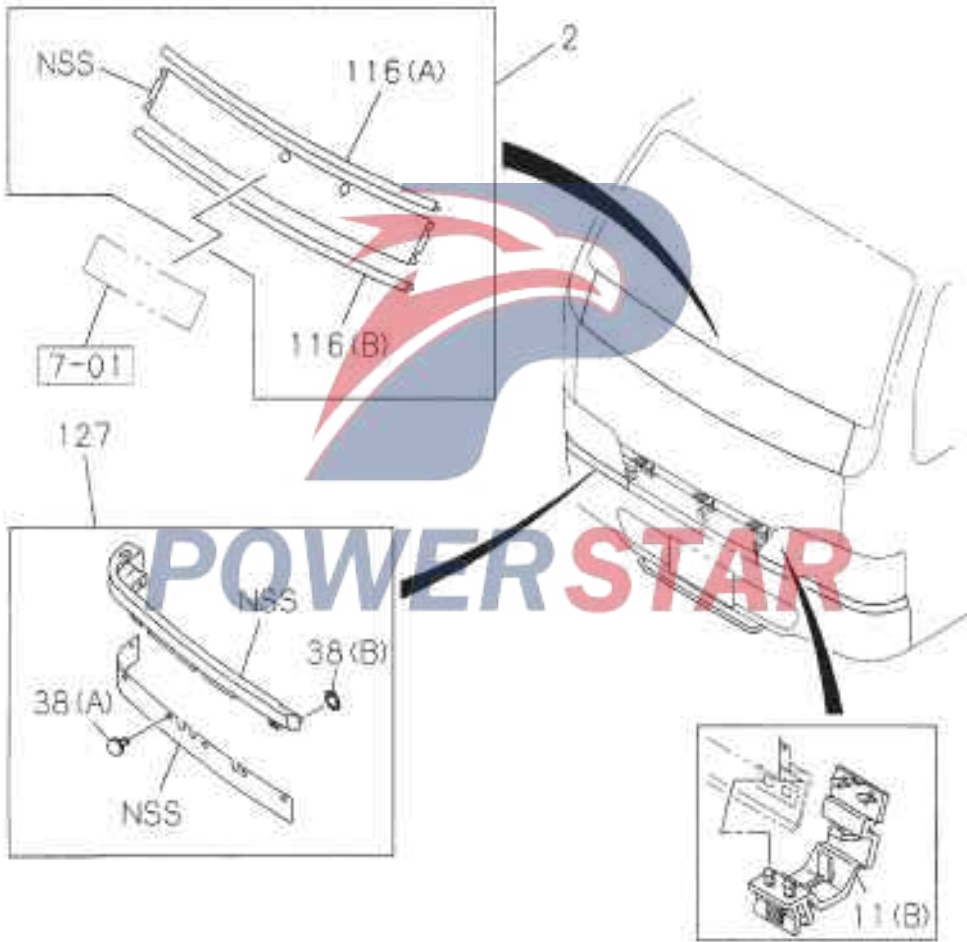
Figure No.



6-03

Radiator cover

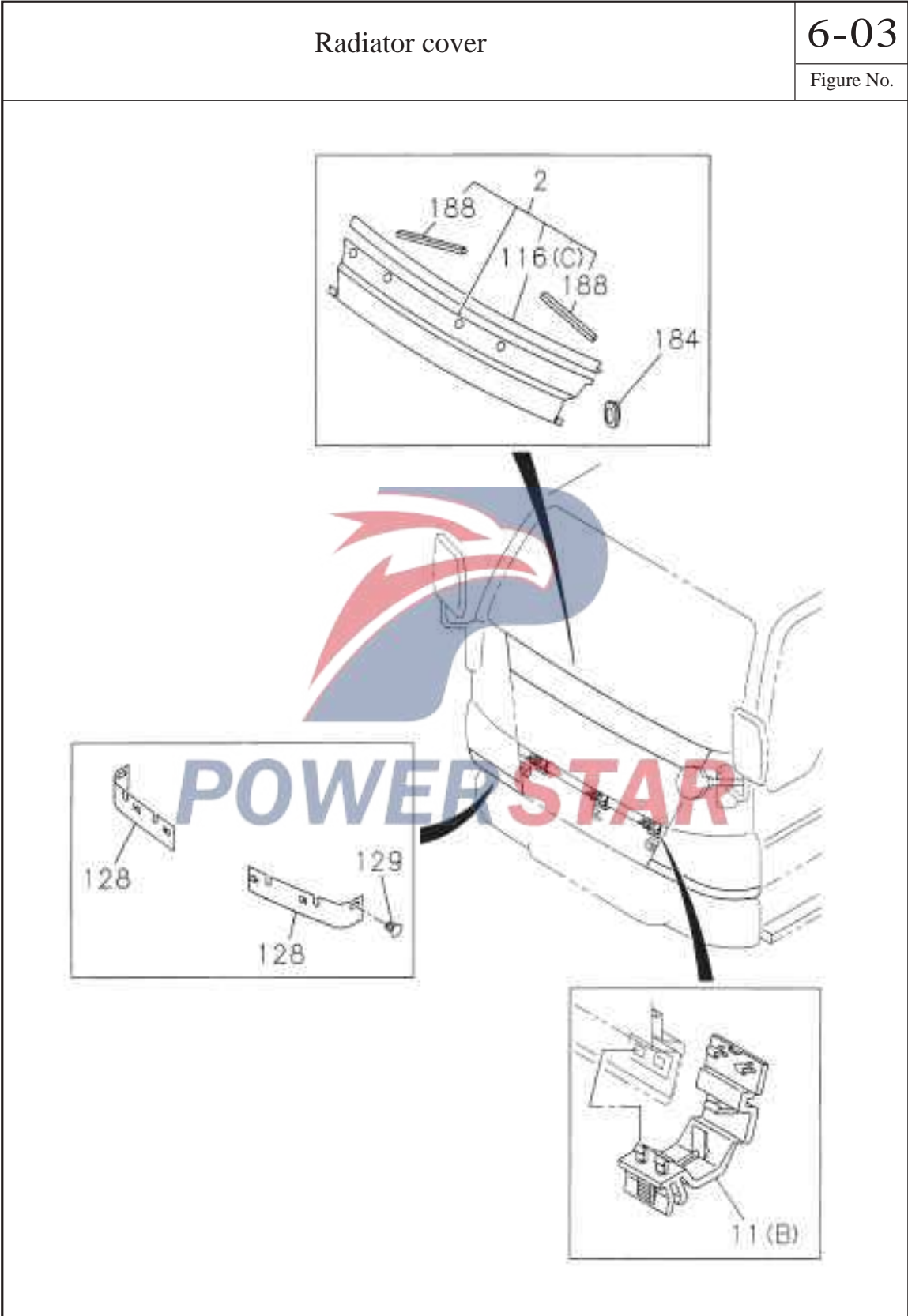
Figure No.



# Radiator cover

# 6-03

Figure No.



6-03		Radiator cover				
Figure No.						
S/N	Recommended specification / name of part					
	Isuzu figure No.	QingLing figure No.	Left/Right	Qty.	Applicable models / applicable status / notes	
A					Wheelbase 2490mm	
					B	Wheelbase 2765mm
					C	Wheelbase 3360mm
					D	Wheelbase 3815mm
1	--- Cover assembly-radiator					
	8-97582-898-2	1301110-861		01	BCD	4KH1 engine
	8-97868-954-0	1301110-10		01	ABC	4JB1 engine
2	--- Decoration panel assembly-middle part of front wall					
	8-97582-873-2	5302010-804		01	BCD	
	8-97857-990-4			01	ABC	4JB1 engine
7	--- Nut pad-radiator cover					
	8-97805-829-0	1301223-803		01	ABCD	
9	--- Bolt- radiator cover and nut pad					
	8-94321-767-1	1301221-803		01	ABCD	M6× 20
11	--- Clamping piece - radiator grid					
	8-97581-651-2			04	BCD	4KH1 engine (C)
	8-97892-729-0	1301225-803		02	ABC	4JB1 engine (A)
	8-97102-415-0	1301222-803		03	ABCD	(B)
38	--- Clip - decorative cap					
	8-97855-279-0			09	BCD	(A) Outer diameter =6.5
	1-09987-180-0		右	01	ABC	4JB1 engine clamping piece- radiator grid (B)

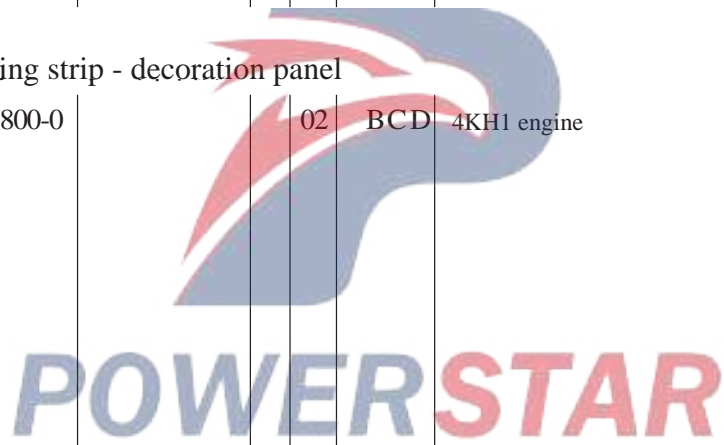
Radiator cover

6-03

Figure No.

S/N	Recommended specification / name of part				
	Isuzu figure No.	QingLing figure No.	Left/Right	Qty.	Applicable models / applicable status / notes
					A B C D
116	--- Adhesive tape-upper decorative sheet				
	8-97581-655-0	5302012-804		01	BCD 4KH1 engine (C)
127	--- Decorating part assembly-headlamp				
	8-97898-387-1	1301030-10	Left	01	ABC 4JB1 engine
	8-97867-332-3	1301040-10	Right	01	ABC 4JB1 engine
128	--- Decorative cover-lower headlamp				
	8-97581-653-3			02	ABC 4JB1 engine
129	--- Clip - decorative cap				
	8-97855-279-0	1301224-803		02	BCD 4KH1 engine Outer diameter =6.5
133	--- Screw - Decorative cover				
	8-94385-565-0	1301226-803		06	BCD 4KH1 engine (B)
	8-94385-565-0	1301226-803		04	ABC M5×12 4JB1 engine (B) M5×12
140	--- Sealing strip - radiator grid				
	8-97581-664-0			01	BCD 4KH1 engine (A)
	8-97583-411-1			02	ABCD (B)

6-03		Radiator cover				
Figure No.		Recommended specification / name of part				
S/N	Isuzu figure No.	QingLing figure No.	Left/Right	Qty.	Applicable models / applicable status / notes	
					A	Wheelbase 2490mm
					B	Wheelbase 2765mm
					C	Wheelbase 3360mm
					D	Wheelbase 3815mm
141	--- Cover plate-radiator grid					
	8-97581-648-1			01	BCD	4KH1 engine
184	--- Blocking-decoration panel					
	8-97581-668-0			03	BCD	4KH1 engine
188	--- Sealing strip - decoration panel					
	8-97584-800-0			02	BCD	4KH1 engine



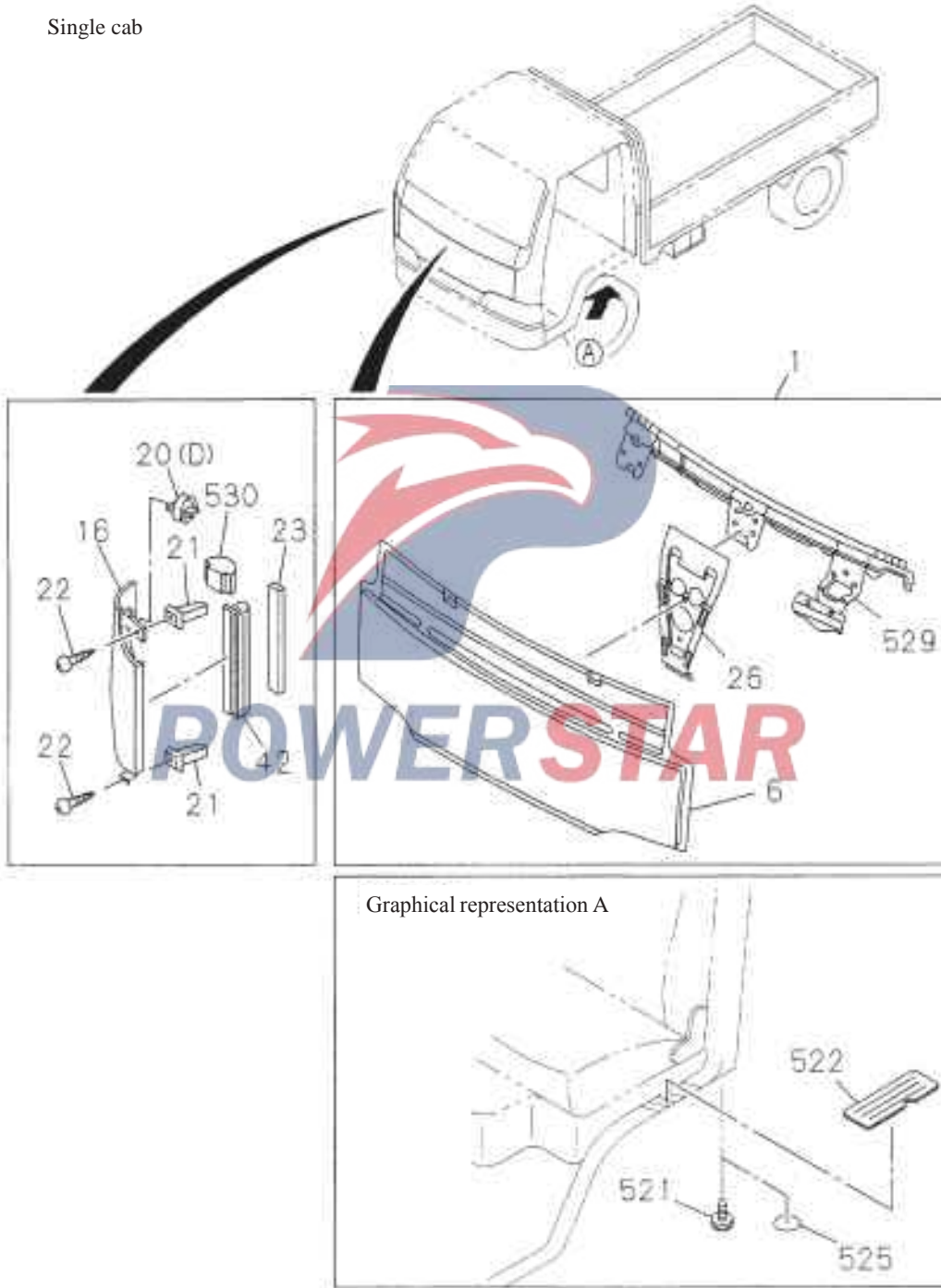


# Front wall

6-05

Figure No.

Single cab

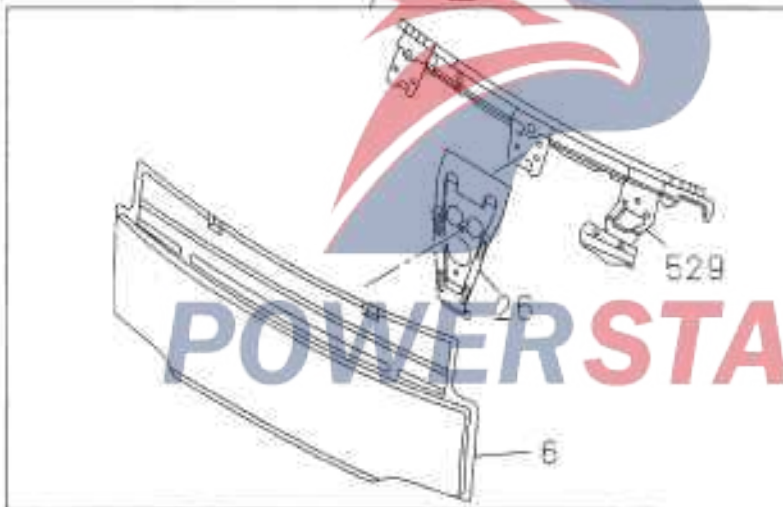
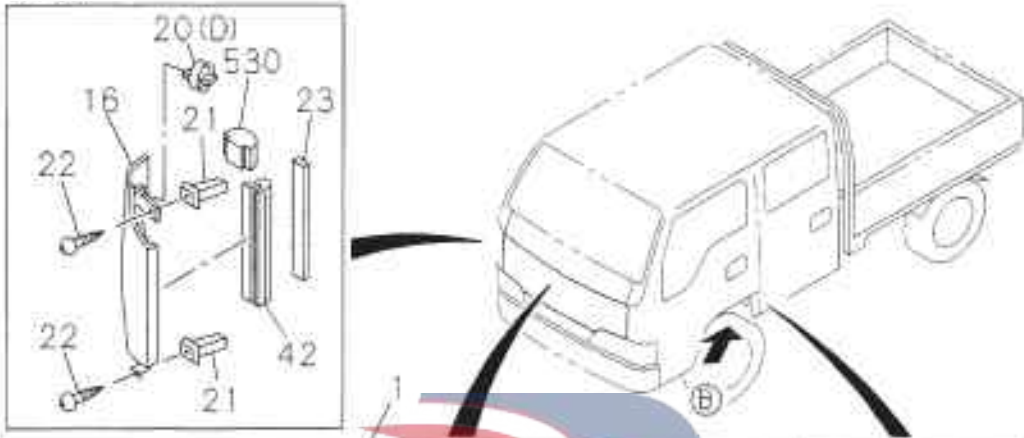


# 6-05

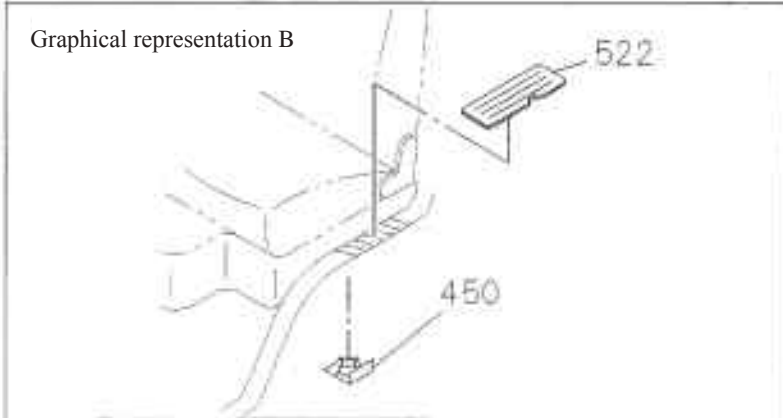
## Front wall

Figure No.

Crew cab



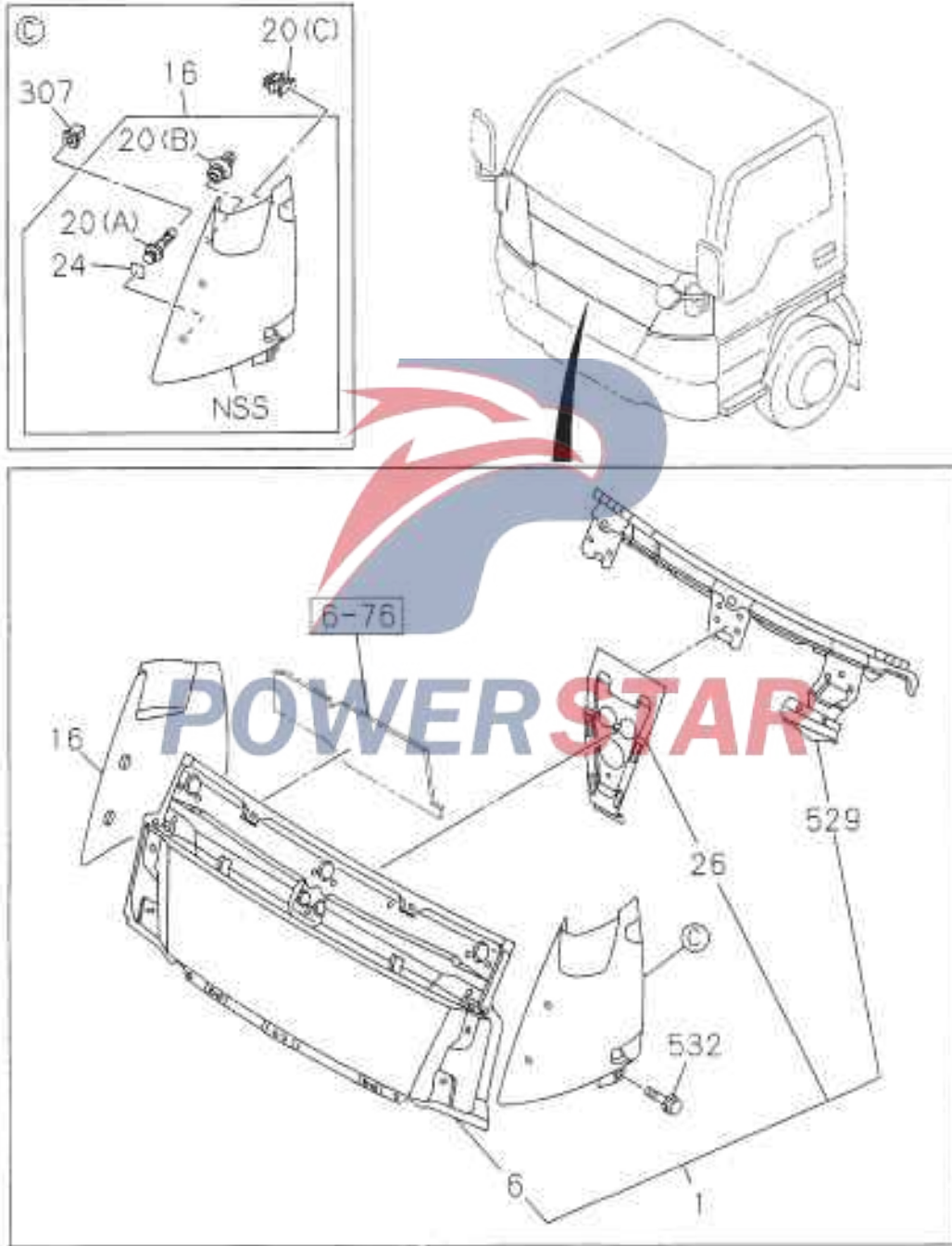
Graphical representation B



Front wall

6-05

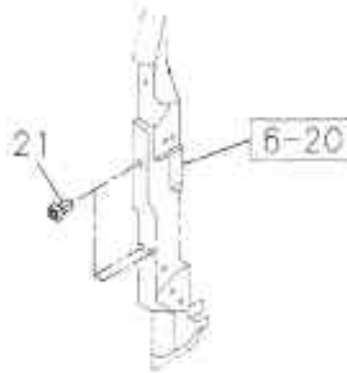
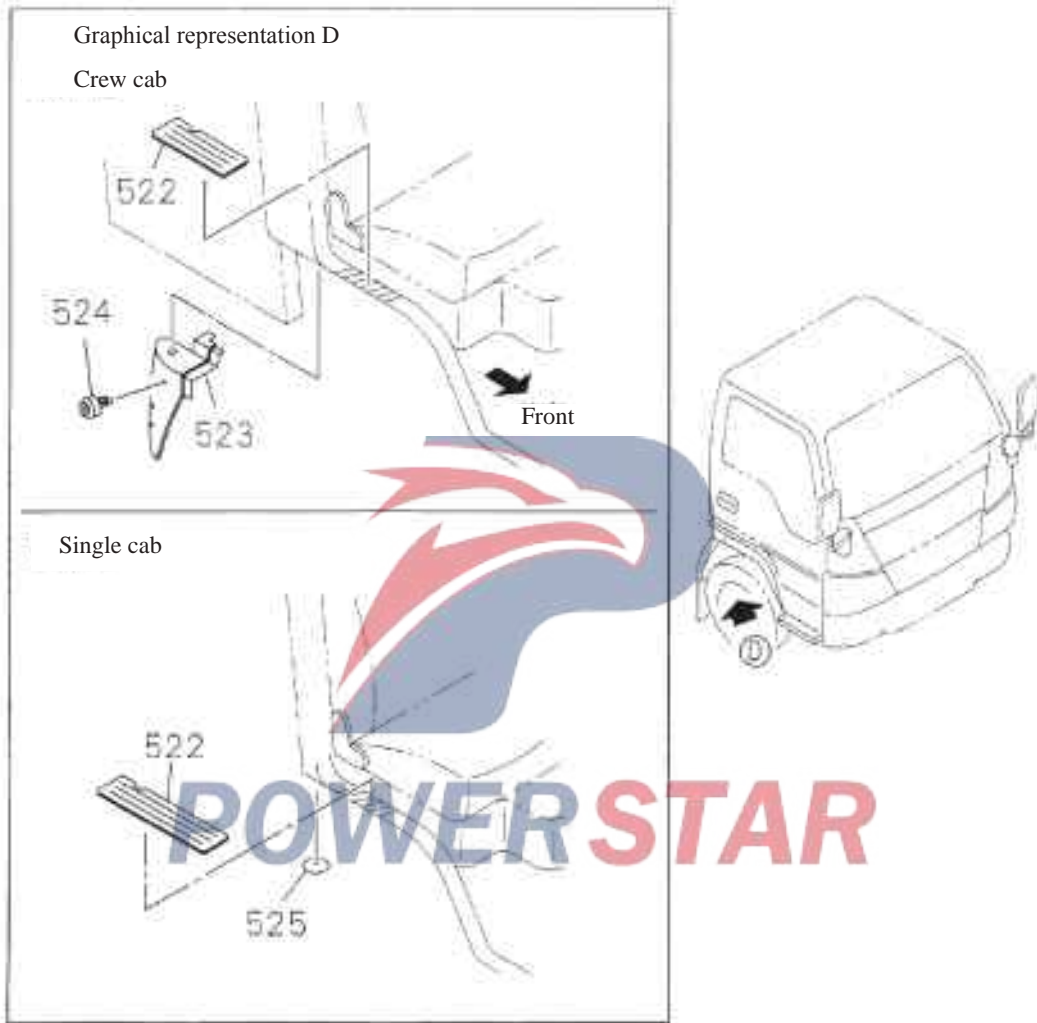
Figure No.



6-05

Front wall

Figure No.



Front wall

6-05

Figure No.

S/N	Recommended specification / name of part				
	Isuzu figure No.	QingLing figure No.	Left/Right	Qty.	Applicable models / applicable status / notes
					A B C D
1	--- Front wall assembly				
	8-97582-868-0	5300010-861		01	BCD 4KH1 engine
	8-97859-251-1	5300010-10		01	ABC 4JB1 engine
6	--- Panel-front wall				
	8-97582-871-1	5301011-861		01	BCD 4KH1 engine
	8-97859-253-3	5301011-10		01	ABC 4JB1 engine
16	--- Upper angle plate assembly-front wall				
	8-97581-604-1	5300020-861	Left	01	BCD 4KH1 engine not apply to single cab with wheel base of 3815
	8-97581-603-1	5300030-861	Right	01	BCD 4KH1 engine
	8-97896-654-0	5300020-10	Left	01	ABC 4JB1 engine
	8-97896-653-0	5300030-10	Right	01	ABC 4JB1 engine
20	--- Clamping piece-angle plate				
	1-09983-161-0			04	BCD 4KH1 engine (A) Outer diameter 4.2×13
	8-97581-632-1			04	BCD 4KH1 engine locating pad-angle plate (C)
	8-97807-381-0			02	BCD 4KH1 engine (B)
	8-94279-814-0			04	ABC 4JB1 engine locating pad-angle plate (D) Height=11.2

6-05		Front wall				
Figure No.		Recommended specification / name of part				
S/N	Isuzu figure No.	QingLing figure No.	Left/Right	Qty.	Applicable models / applicable status / notes	
					A	B
						Wheelbase 2490mm
						Wheelbase 2765mm
						Wheelbase 3360mm
						Wheelbase 3815mm
21	--- Washer nut - front angle plate					
	8-94279-043-0	6201410-26		06	ABCD	
22	--- Bolt-left and right angle plate					Outer diameter=7.8×7.8 Length = 18
	8-94279-123-0	Q2204816		06	ABC	4JB1 engine M5×16
23	--- Filler strip-angle plate					
	8-97857-444-0			02	AB	4JB1 engine Height=10 length=55
	8-94272-463-0	5401711-801		02	ABC	4JB1 engine, crew-cab Length = 55
24	--- Sealing pad -angle plate					
	8-97583-672-0			02	BCD	4KH1 engine
26	--- Reinforcing rib-panel					
	8-97851-038-1	5301012-10		01	ABCD	
42	--- Insertion strip- left and right angle plate					
	8-97857-413-0			02	ABC	4JB1 engine

Front wall

6-05

Figure No.

S/N	Recommended specification / name of part					
	Isuzu figure No.	QingLing figure No.	Left/Right	Qty.	Applicable models / applicable status / notes	
					A	Wheelbase 2490mm
					B	Wheelbase 2765mm
					C	Wheelbase 3360mm
					D	Wheelbase 3815mm
307	--- Fastening nail- angle plate					
	8-97583-397-0			04	BCD	4KH1 engine
450	--- Gasket					
	8-97857-369-0			02	C	
521	--- Blocking- middle cross beam (front)					
	1-76378-157-0			06	ABC	4JB1 engine Outer diameter=15 Length = 14.5
522	--- Protection pad- front door threshold					
	8-97857-840-3	6107413-10		01	ABCD	
523	--- Baffle-lower part of B-pillar					
	8-97853-439-4	8200211-801	Left	01	ABC	4JB1 engine, crew-cab
					BCD	4KH1 engine, crew-cab
	8-97853-438-4	8200221-801	Right	01	ABC	4JB1 engine, crew-cab
					BCD	4KH1 engine, crew-cab
524	--- Fastening nail- fender cover plate					
	8-97893-482-0	2802011-26		06	ABC	4JB1 engine, crew-cab
					BCD	4KH1 engine, crew-cab
						Outer diameter =8.5

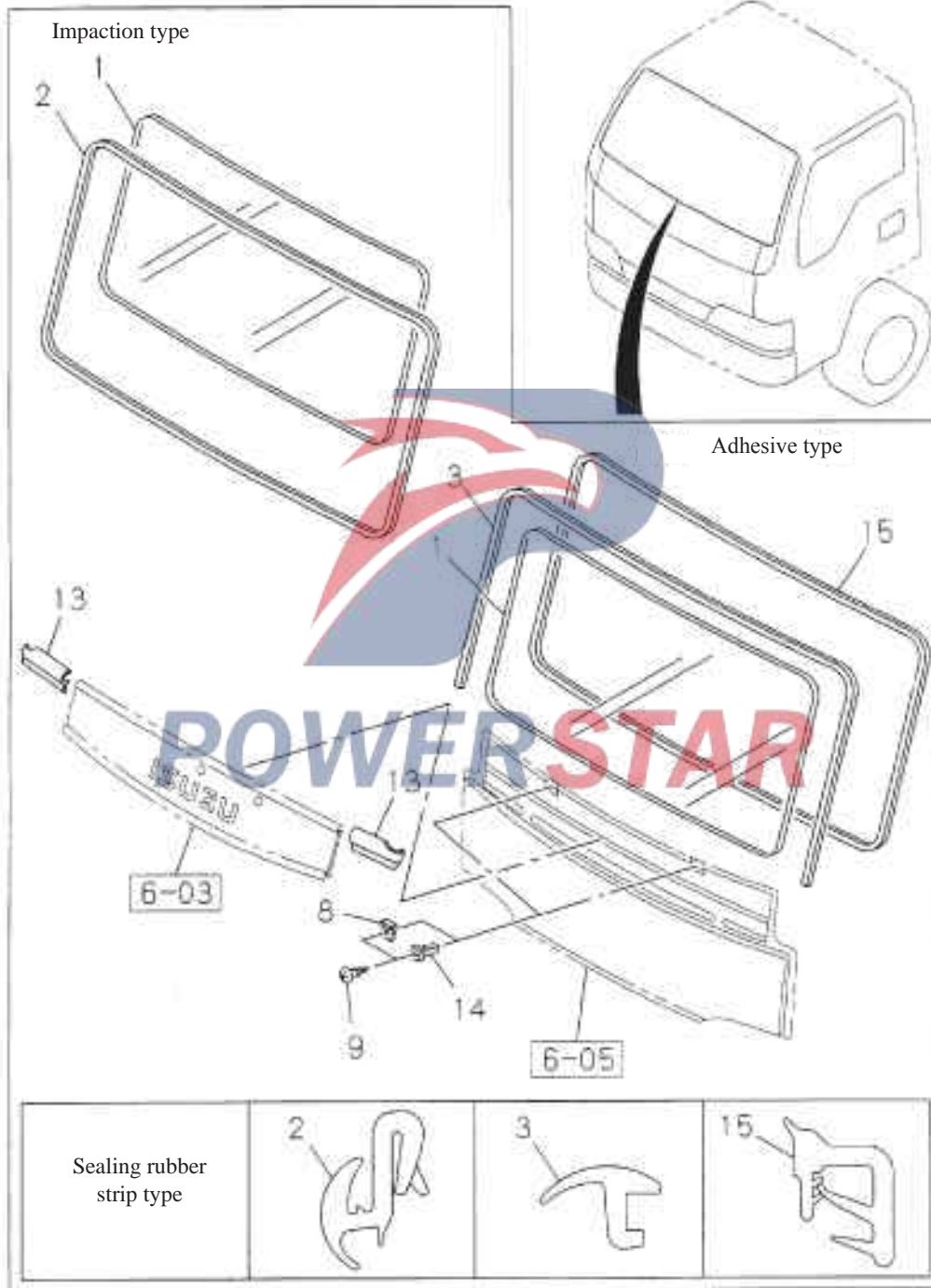


6-05		Front wall				
Figure No.		Recommended specification / name of part				
S/N	Isuzu figure No.	QingLing figure No.	Left/Right	Qty.	Applicable models / applicable status / notes	
					A	Wheelbase 2490mm
					B	Wheelbase 2765mm
					C	Wheelbase 3360mm
					D	Wheelbase 3815mm
525	---Seal cover piece- fender					
	1-76798-019-0	8200143-803		06	ABC	4JB1 engine, single cab
					BCD	4KH1 engine, single cab
						Outer diameter=25
529	--- Reinforcing plate assembly- front wall board					
	8-97851-373-2	5301050-10		01	ABCD	
530	--- Stop block assembly-angle plate					
	8-97856-589-0			02	ABC	4JB1 engine
532	--- Bolt - angle plate					
	8-97803-781-0	5302121-803		02	BCD	4KH1 engine
						M6×16

# Front windshield

## 6-07

Figure No.



6-07		Front windshield				
Figure No.						
S/N	Recommended specification / name of part					
	Isuzu figure No.	QingLing figure No.	Left/Right	Qty.	Applicable models / applicable status / notes	
A					Wheelbase 2490mm	
					B	Wheelbase 2765mm
					C	Wheelbase 3360mm
					D	Wheelbase 3815mm
1	--- Front windshield glass					
	8-97869-124-0	5206011-10		01	ABCD	
2	--- Windshield adhesive tape-front windshield glass					
	8-97856-351-3			01	ABC	4JB1 engine impacted
3	--- Adhesive tape-front windshield					
	8-97581-678-0	5206302-861		01	BCD	4KH1 engine
	8-97890-214-2	5206302-10		01	ABC	4JB1 engine
8	--- Stop block-windshield					
	8-97583-733-0	8203135-803		02	ABCD	
9	--- Tapping screw-stop block					
	8-94279-325-0	Q2734813A		02	ABCD	
13	--- Insertion strip-lower angle of windshield					
	8-97581-617-3	5206121-850	Right	01	BCD	
	8-97581-618-3	5206111-850	Left	01	BCD	
	8-97853-787-4	5206111-803	Left	01	ABC	M5×14
	8-97853-786-3	5206121-803	Right	01	ABC	
14	--- Washer nut -tapping screw					
	8-94279-043-0	6201410-26		02	ABCD	4KH1 engine
						4KH1 engine
15	--- Adhesive tape-front windshield					
	8-97859-856-4	5206301-10		01	ABCD	4JB1 engine

P-450

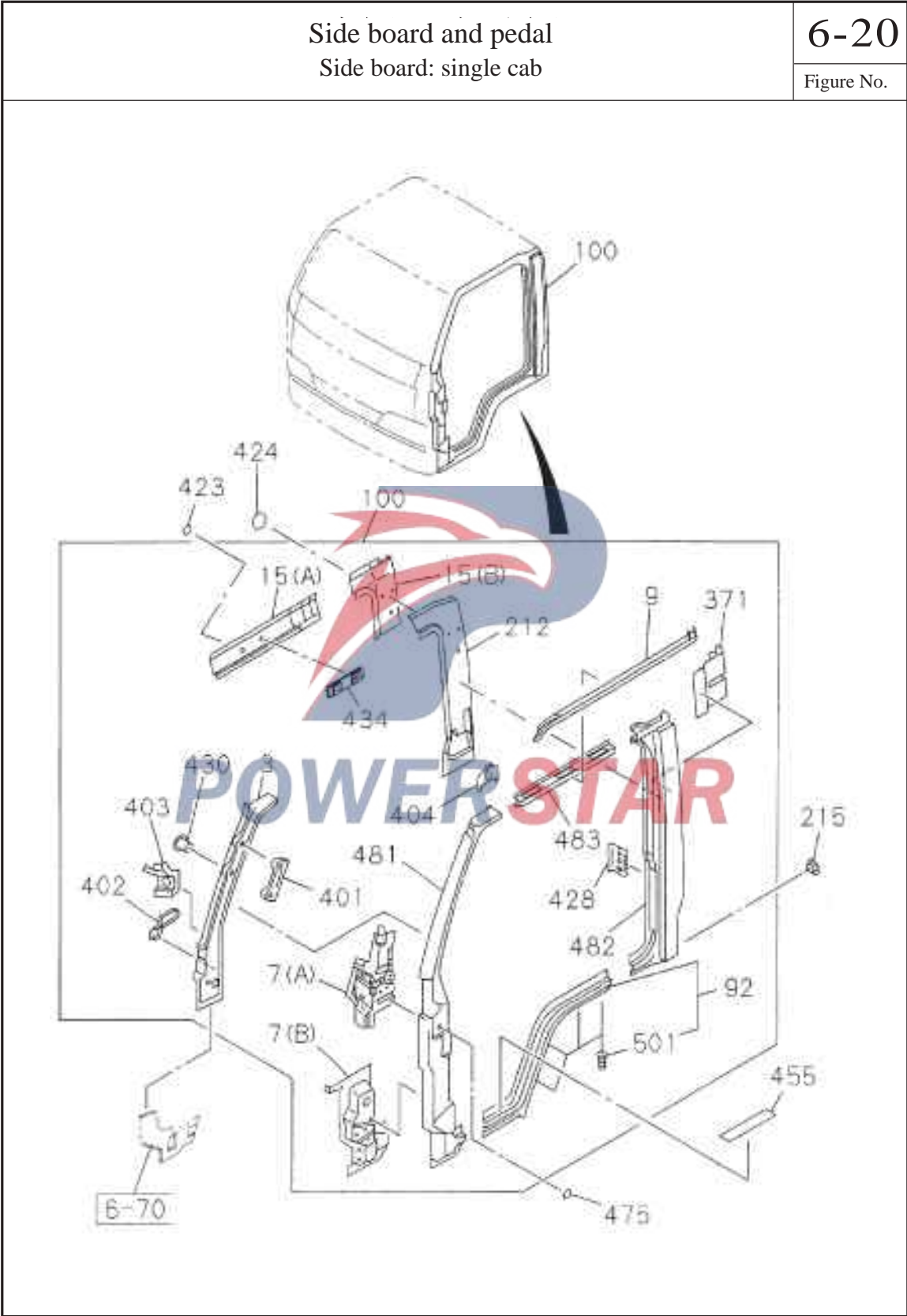
Outer diameter=7.8×7.8 Length = 18

# Side board and pedal

Side board: single cab

6-20

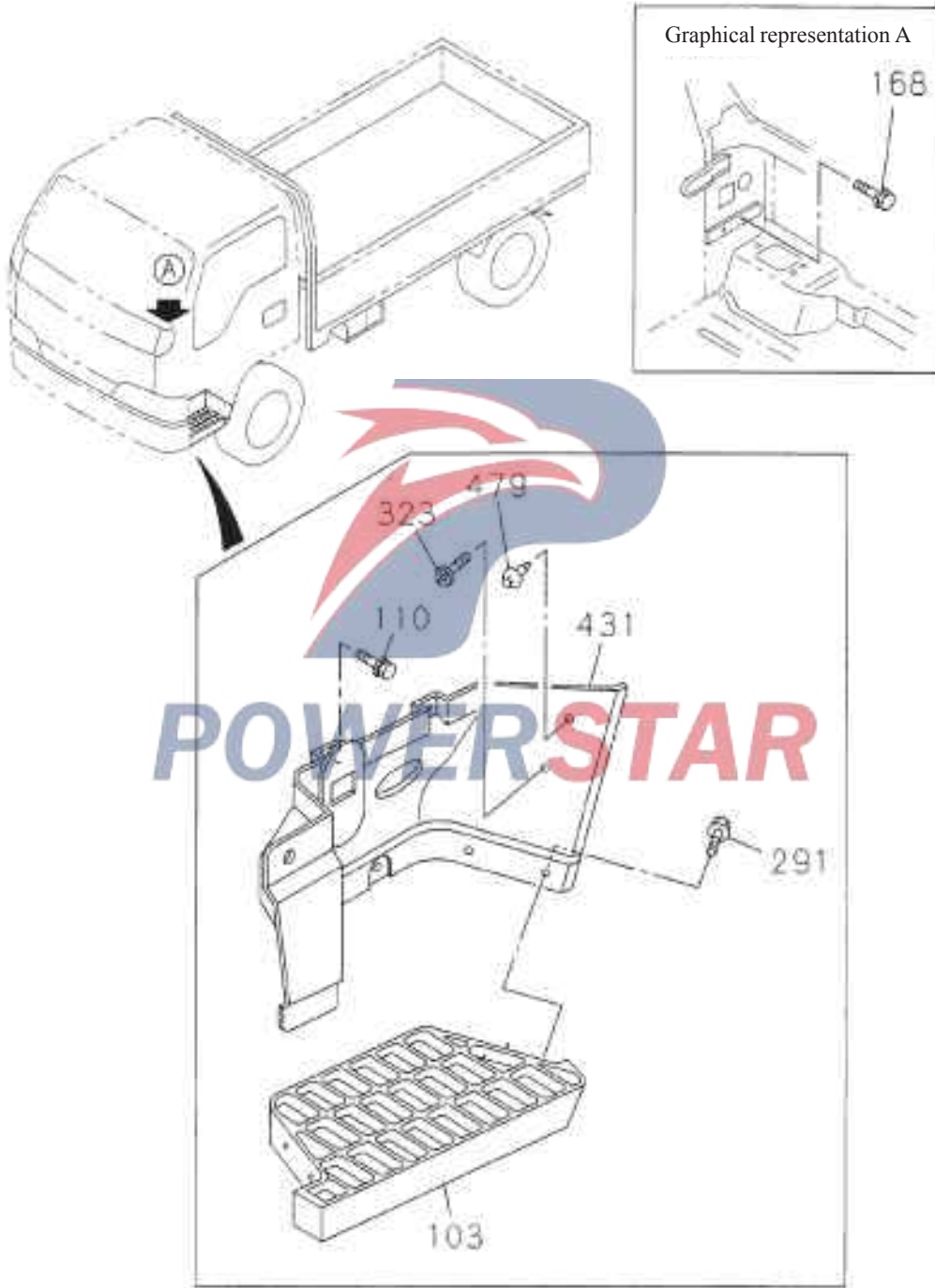
Figure No.



6-20

Side board and pedal  
Pedal: single cab

Figure No.

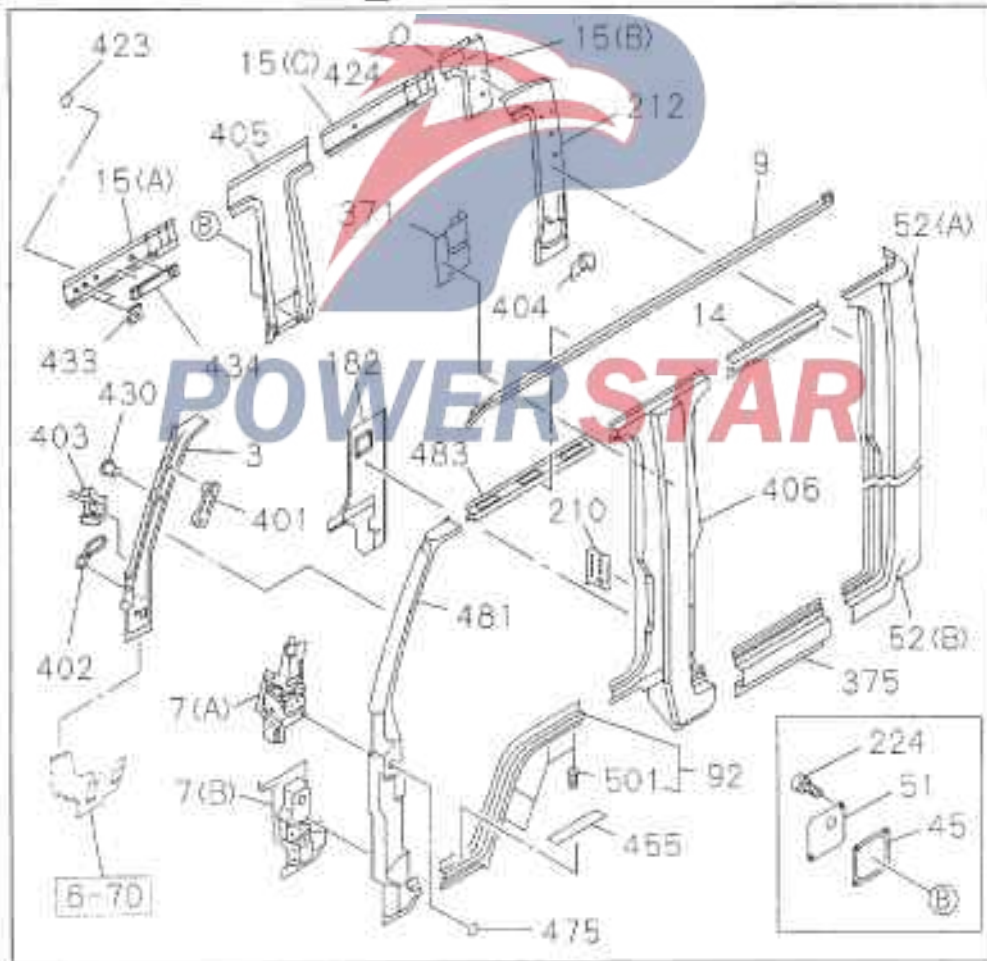
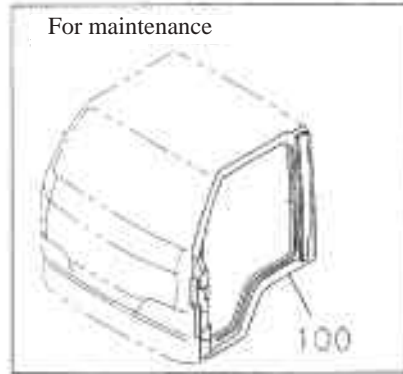


# Side board and pedal

Side board: crew cab

## 6-20

Figure No.



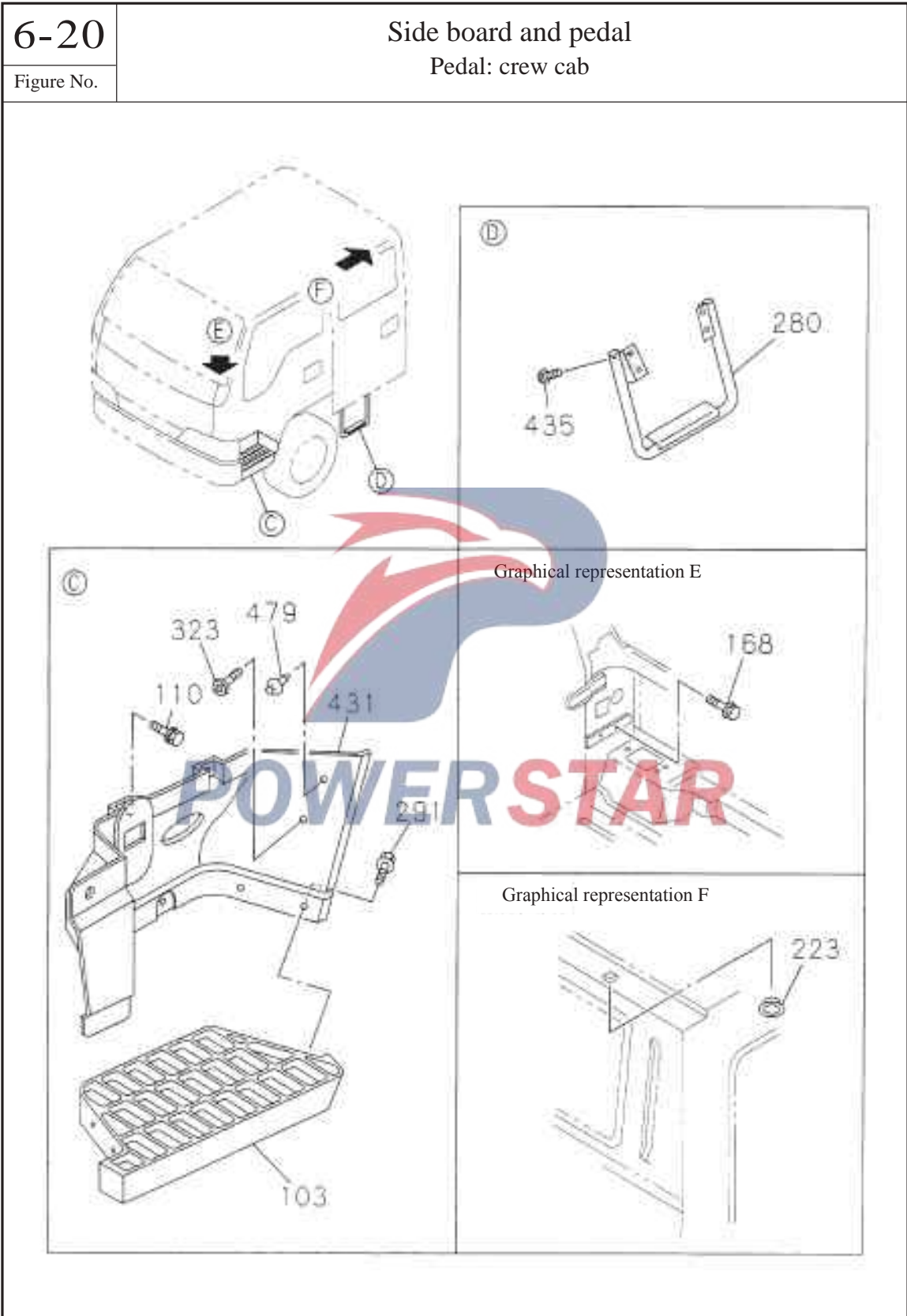


# 6-20

## Side board and pedal

Pedal: crew cab

Figure No.





Side board and pedal

6-20

Figure No.

S/N	Recommended specification / name of part				
	Isuzu figure No.	QingLing figure No.	Left/Right	Qty.	Applicable models / applicable status / notes
					A B C D
3	--- Inner plate-side pillar of windshield				
	8-97851-358-4	5401061-10	Left	01	ABCD
	8-97851-357-4	5401462-10	Right	01	ABCD
7	--- Reinforcing plate assembly- door hinge				
	8-97851-074-5	5401110-10	Left	01	ABCD
	8-97851-354-1	5401090-10	Left	01	ABCD (B)
	8-97851-073-5	5401510-10	Right	01	ABCD (A)
	8-97851-353-1	5401490-10	Right	01	ABCD (B)
9	--- Larmier				
	8-97851-020-9	5401015-15	Left	01	BCD 4KH1 engine, single cab
	8-97851-019-9	5401456-15	Right	01	ABC 4JB1 engine, single cab
	8-97851-208-9	5401281-10	Left	01	BCD 4KH1 engine, single cab
	8-97851-207-9	5401574-10	Right	01	ABC 4JB1 engine, single cab
	8-97851-208-9	5401281-10	Left	01	BCD 4KH1 engine, crew-cab
	8-97851-207-9	5401574-10	Right	01	ABC 4JB1 engine, crew-cab
14	--- Reinforcing plate - larmier				
	8-97851-223-1	5401283-10	Left	01	BCD 4JB1 engine, crew-cab
	8-97851-222-1	5401576-10	Right	01	ABC 4KH1 engine, crew-cab
	8-97851-222-1	5401576-10	Right	01	BCD 4JB1 engine, crew-cab
	8-97851-222-1	5401576-10	Right	01	ABC 4KH1 engine, crew-cab

P-455

4JB1 engine, crew-cab



6-20		Side board and pedal				
Figure No.						
S/N	Recommended specification / name of part					
	Isuzu figure No.	QingLing figure No.	Left/Right	Qty.	Applicable models / applicable status / notes	
A					Wheelbase 2490mm	
				B	Wheelbase 2765mm	
				C	Wheelbase 3360mm	
				D	Wheelbase 3815mm	
15	--- Inner plate – upper frame					
	8-97851-335-4	5401037-15	Left	01	ABC	4JB1 engine, single cab
					BCD	4KH1 engine, single cab
					(A)	
	8-97851-337-5	5401041-10	Left	01	ABCD	(B)
	8-97851-334-4	5404171-15	Right	01	BCD	4KH1 engine, single cab
					ABC	4JB1 engine, single cab
					(A)	
	8-97851-336-5	5401472-10	Right	01	ABCD	(B)
	8-97851-229-4	5401071-10	Right	01	BCD	4KH1 engine, crew-cab
			Left		ABC	4JB1 engine, crew-cab
					(A)	
	8-97851-228-4	5401473-10	Right	01	BCD	4KH1 engine, crew-cab
					ABC	4JB1 engine, crew-cab
					(A)	
45	--- Sealing pad-hole cover plate					
	8-97853-731-1	6201423-801		02	ABC	4JB1 engine, crew-cab
51	--- Hole cover plate-B-pillar (lower)					
	8-94262-078-0	5400051-10		02	BCD	4KH1 engine, crew-cab
					ABC	4JB1 engine, crew-cab

Side board and pedal

6-20

Figure No.

S/N	Recommended specification / name of part				
	Isuzu figure No.	ISUZU figure No.	Left/Right	Qty.	Applicable models / applicable status / notes
					A B C D
					Wheelbase 2490mm Wheelbase 2765mm Wheelbase 3360mm Wheelbase 3815mm
52	--- C-pillar				
	8-97581-003-0	5401401-801	Left	01	BCD ABC 4KH1 engine, crew-cab 4JB1 engine, crew-cab, upper part
	8-97581-004-0	5401405-801	Left	01	BCD (A) ABC 4KH1 engine, crew-cab 4JB1 engine, crew-cab, lower part
	8-97851-173-1	5401644-10	Right	01	BCD (B) ABC 4KH1 engine, crew-cab 4JB1 engine, crew-cab, lower part
	8-97851-226-6	5401642-10	Right	01	BCD (B) ABC 4KH1 engine, crew-cab
92	--- Sill plate-cab				
		5401010-15	Left	01	BCD (A) ABC Only 4KH1 engine single cab Only for 4JB1 engine, single cab
		5401010-10	Left	01	BCD ABC Only 4KH1 engine crew cab
		5401050-15	Right	01	BCD ABC Only for 4JB1 engine, crew cab Only 4KH1 engine single cab
		5401050-10	Right	01	BCD ABC Only for 4JB1 engine, single cab Only 4KH1 engine crew cab
100	--- Side wall assembly				
					Only for 4JB1 engine, crew cab
	8-97890-396-1	5400010-804	Left	01	ABCD
	8-97857-839-6	5400030-804	Right	01	ABCD
103	--- Pedal				
	8-97859-996-0	8405024-10	Right	01	ABCD
	8-97859-997-0	8405013-10	Left	01	ABCD

6-20		Side board and pedal				
Figure No.						
S/N	Recommended specification / name of part					
	Isuzu figure No.	QingLing figure No.	Left/Right	Qty.	Applicable models / applicable status / notes	
A					B	C
110	--- Combination bolt - pedal assembly					
	8-94279-208-0	Q1460825	Left	06	ABCD M8× 20	
168	--- Bolt-sideboard					
	8-94139-963-0	8101326-803		04	ABCD M6× 16	
182	--- Inner plate-B-pillar					
	8-97850-177-5	5100153-10	Left	01	BCD 4KH1 engine, crew-cab	
	8-97850-176-5	5100154-10	Right	01	ABC 4JB1 engine, crew-cab	
					BCD 4KH1 engine, crew-cab	
					ABC 4JB1 engine, crew-cab	
210	--- Inner plate – upper frame					
	8-97851-446-1	5401140-10	Left	02	BCD 4KH1 engine, single cab	
					ABC 4JB1 engine, single cab	
	8-97851-445-1	5401540-10	Right	02	BCD 4KH1 engine, single cab	
					ABC 4JB1 engine, single cab	
212	--- Inner plate – upper frame					
	8-97890-453-2	5401161-10	Left	01	ABCD	
	8-97890-460-2	5401551-10	Right	01	ABCD	
215	--- Inner plate – upper frame					
	8-94122-971-0	5107611-26		01	BCD 4KH1 engine, crew-cab	
					ABC 4JB1 engine, crew-cab	
					Outer diameter=35	

## Side board and pedal

6-20

Figure No.

S/N	Recommended specification / name of part					
	Isuzu figure No.	QingLing figure No.	Left/Right	Qty	Applicable models / applicable status / notes	
					A	B
					Wheelbase 2490mm	
					Wheelbase 2765mm	
					Wheelbase 3360mm	
					Wheelbase 3815mm	
<b>223</b>	--- Seal ring					
	8-94279-724-0			02	BCD	Only 4KH1 engine crew cab
					ABC	Only for 4JB1 engine, crew cab
<b>224</b>	--- Screw					
	0-74310-516-0	6205113-803		04	A B C D	M5×16
<b>280</b>	--- Rear pedal assembly					
	8-978253-450-3	8405150-10		02	B C D	4KH1 engine, crew cab
					ABC	4JB1 engine, crew cab
<b>291</b>	--- Combination bolt – pedal assembly					
	8-94279-208-0	Q1460825		10	A B C D	M8×20
<b>323</b>	--- Bolt- pedal assembly					
	8-94279-386-1	8200331-803A		04	A B C D	M8×14
<b>371</b>	--- Reinforcing plate assembly- seat belt					
	8-97851-049-1	5401120-10	L	01	B C D	4KH1 engine, single cab
					ABC	4JB1 engine, single cab
	8-97851-048-1	5401520-10	R	01	B C D	4KH1 engine, single cab
					ABC	4JB1 engine, single cab
	8-97851-170-2	5401350-10		02	B C D	4KH1 engine, crew cab
					ABC	4JB1 engine, crew cab
<b>375</b>	--- Threshold shell plate					
	8-97851-159-6	5401285-10		02	B C D	4KH1 engine, crew cab
					ABC	4JB1 engine, crew cab

6-20		Side board and pedal					
Figure No.		Recommended specification / name of part					
S/N	Isuzu figure No.	QingLing figure No.	L/R	Qty.	Applicable models / applicable status / notes		
					A	Wheelbase 2490mm	
					B	Wheelbase 2765mm	
					C	Wheelbase 3360mm	
					D	Wheelbase 3815mm	
401	--- Liner plate assembly- inner plate						
	8-97851-301-1	5401050-10		02	ABCD		
402	--- Bracket- inner plate bracket						
	8-97851-086-1	5401033-10	L	01	ABCD		
	8-97851-085-1	5401464-10	R	01	ABCD		
403	--- Bracket- front plate reinforcing plate						
	8-97851-070-0	5401035-10	L	01	ABCD		
	8-97851-069-0	5401465-10	R	01	ABCD		
404	--- Bracket- seat belt retractor						
	8-97890-317-1	5401171-10		02	ABCD		
405	--- Inner plate assembly- upper part of B-pillar						
	8-97890-314-3	5401200-10	L	01	BCD	4KH1 engine, crew-cab	
	8-97890-420-3	5401570-10	R	01	BCD	4JB1 engine, crew-cab	
					ABC	4KH1 engine, crew-cab	
406	--- B-pillar assembly						4JB1 engine, crew-cab
	8-97851-240-7	5401300-10	L	01	BCD	4KH1 engine, crew-cab	
	8-97851-239-7	5401590-10	R	01	BCD	4JB1 engine, crew-cab	
					ABC	4KH1 engine, crew-cab	
423	--- Sealing cover sheet - upper frame beam						4JB1 engine, crew-cab
	8-97856-832-1			06	ABCD	White	
	8-97856-832-1			04	ABCD	Outer diameter=20 Thickness = 0.05	
	8-97856-832-1			02	ABCD	White	
	8-97856-832-1	6201521-801		04	ABC	Outer diameter=20 Thickness = 0.05	
	8-97856-832-1	6201521-801		04	ABC	Outer diameter=20 Thickness = 0.05	
						Bracket- inner plate bracket	
						4JB1 engine crew cab white	

P-460 Outer diameter=20 Thickness = 0.05

# Side board and pedal

6-20

Figure No.

S/N	Recommended specification / name of part				
	Isuzu figure No.	ISUZU figure No.	L/R	Qty.	Applicable models / applicable status / notes
					A B C D
424	--- Sealing cover sheet - upper frame beam				
	8-97856-832-1	5401300-10		04	ABCD White Outer diameter=20 Thickness = 0.05 4KH1 engine, crew-cab
	5-76777-036-0	5401590-10		04	BCD Outer diameter=20 thickness =0.05 black
428	--- Reinforcing plate assembly - Front door bumper block				
	8-97851-446-1	5401140-10	R	01	BCD 4KH1 engine, crew-cab ABC 4JB1 engine, crew-cab
	8-97851-445-1	5401540-10	L	01	BCD 4KH1 engine, crew-cab ABC 4JB1 engine, crew-cab
430	--- Riveting nut				
	8-94279-537-0	T 3720616		01	ABCD
	8-94279-538-0	T 3720818	R	02	BCD ABC M6
431	--- Pedal bracket				
	8-97892-967-1	8405022-10		01	ABCD 4KH1 engine, crew-cab M8
	8-97892-968-1	8405011-10		01	ABCD 4JB1 engine, crew-cab
433	--- Four-corner welded nut				
	9-09114-086-0	T 364A06	R	04	BCD ABC
434	--- Liner plate assembly- auxiliary handle				
	8-94267-191-1	5401480-10	L	01	BCD 4KH1 engine, crew-cab M6
					ABC 4JB1 engine, crew-cab
435	--- Bolt-rear pedal mount assembly				
	8-94279-203-0	8405155-26		08	ABCD 4KH1 engine, single cab 4JB1 engine, single cab
					M6×20

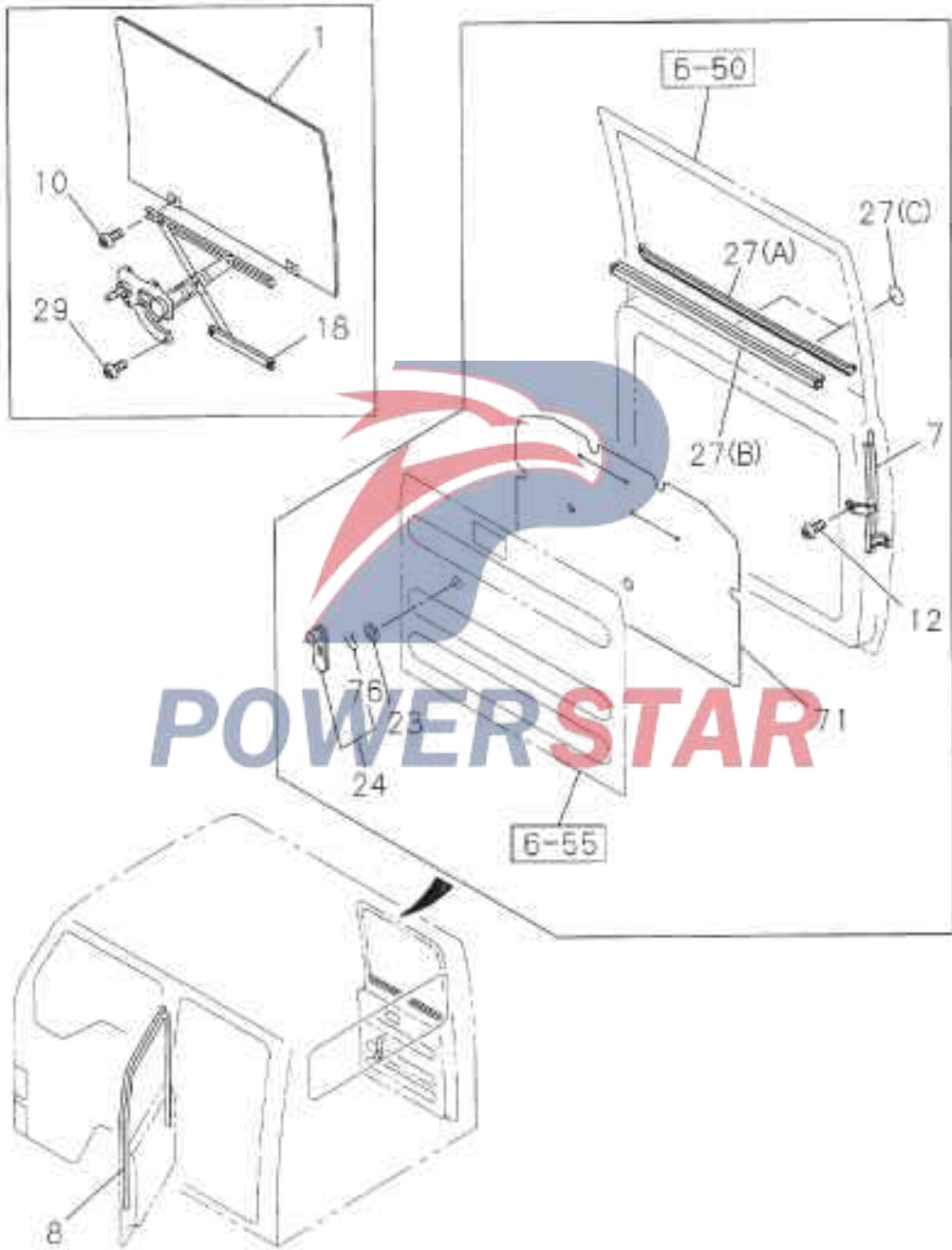


6-20		Side board and pedal				
Figure No.		Recommended specification / name of part				
S/N	Isuzu figure No.	QingLing figure No.	L/R	Qty.	Applicable models / applicable status / notes	
					A	Wheelbase 2490mm
					B	Wheelbase 2765mm
					C	Wheelbase 3360mm
					D	Wheelbase 3815mm
455	--- Sealing pad strip-threshold 8-97852-863-0	6107611-803		02	BCD ABC	4KH1 engine, single cab 4JB1 engine, single cab
475	--- Sealing cover sheet 5-76777-036-0			02	ABCD	
479	--- Fastening nail-baffle 1-09983-125-0			02	ABCD	Outer diameter=20 Thickness = 0.05
481	--- Inner plate assembly - window side column	5401060-10	L	01	ABCD	Outer diameter =8
		5401460-10	R	01	ABCD	
482	--- Inner plate assembly - window side column	5401160-15	L	01	BCD ABC	4KH1 engine, single cab 4JB1 engine, single cab
		5401550-15	R	01	BCD ABC	4KH1 engine, single cab 4JB1 engine, single cab
483	--- Inner plate – upper frame	5401037-15	L	01	BCD ABC	4KH1 engine, single cab 4JB1 engine, single cab
		5401471-15	R	01	BCD ABC	4KH1 engine, single cab
		5401071-10	L	01	BCD ABC	4JB1 engine, single cab 4KH1 engine, crew-cab
		5401473-10	R	01	BCD ABC	4JB1 engine, crew-cab 4KH1 engine, crew-cab 4JB1 engine, crew-cab
501	--- Projection-welding dowel 8-94279-167-0	T5310816		04	ABCD	M8×15

# Rear door window and regulator

6-51

Figure No.



6-51		Rear door window and regulator					
Figure No.		Recommended specification / name of part					
S/N	Isuzu figure No.	QingLing figure No.	L/R	Qty.	Applicable models / applicable status / notes		
					A	Wheelbase 2490mm	
					B	Wheelbase 2765mm	
					C	Wheelbase 3360mm	
					D	Wheelbase 3815mm	
1	--- Rear door glass assembly						
	8-97867-410-0	6203010-10	L	01	BCD	4KH1 engine, only for crew-cab	
	8-97867-409-0	6203020-10	R	01	BCD	4JB1 engine, only for crew cab	
					ABC	4KH1 engine, only for crew-cab	
7	--- Glass run assembly-rear door						
	8-97852-207-6	6107870-801	L	01	BCD	4KH1 engine, only for crew-cab	
	8-97852-206-6	6107880-801	R	01	BCD	4JB1 engine, only for crew cab	
					ABC	4KH1 engine, only for crew-cab	
8	--- Sliding channel adhesive tape-rear door glass						
	8-97852-363-4	6207301-10		02	BCD	4KH1 engine, only for crew-cab	
					ABC	4JB1 engine, only for crew cab	
	10	--- Bolt- door glass					
	10-09981-452-0	6205121-803		04	BCD	4KH1 engine, only for crew-cab	
					ABC	4JB1 engine, only for crew cab	
						M6×16	
12	--- Tapping screw- glass run						
	8-97582-826-0	6205117-803		04	BCD	4KH1 engine, only for crew-cab	
					ABC	4JB1 engine, only for crew-cab	
						M6×16	

## Rear door window and regulator

# 6-51

Figure No.

S/N	Recommended specification / name of part				
	Isuzu figure No.	QingLing figure No.	L/R	Qty.	Applicable models / applicable status / notes
					A B C D
<b>18</b>	--- Window regulator assembly- rear door				
	8-97852-196-4	6204110-801	L	01	BCD 4KH1 engine, only for crew-cab ABC 4JB1 engine, only for crew cab
<b>23</b>	--- Decoration ring- jiggle bar				
	8-97852-195-4	6204120-801	R	01	BCD 4KH1 engine, only for crew-cab ABC 4JB1 engine, only for crew cab
<b>24</b>	--- Control handle assembly- window regulator				
	8-94220-668-1	6204131-801		02	BCD 4KH1 engine, only for crew-cab ABC 4JB1 engine, only for crew cab
<b>27</b>	--- Seal cover piece- rear door				
	8-97098-453-0	6107780-803		02	ABCD
<b>29</b>	--- Seal cover piece- rear door				
	5-76777-035-0	6204132-801		04	BCD 4KH1 engine, only for crew-cab ABC 4JB1 engine, only for crew cab (C) Outer diameter=36 Thickness = 0.05
	8-97852-230-3	6207410-10		02	BCD 4KH1 engine only crew cab outside ABC 4JB1 engine only crew cab outside (A)
<b>29</b>	--- Combination bolt-window regulator				
	8-97852-231-4	6207420-10		02	BCD 4KH1 engine only crew cab inside ABC 4JB1 engine only crew cab inside (B)
<b>29</b>	--- Combination bolt-window regulator				
	8-94279-401-0	6205222-803		10	ABCD  M6×8

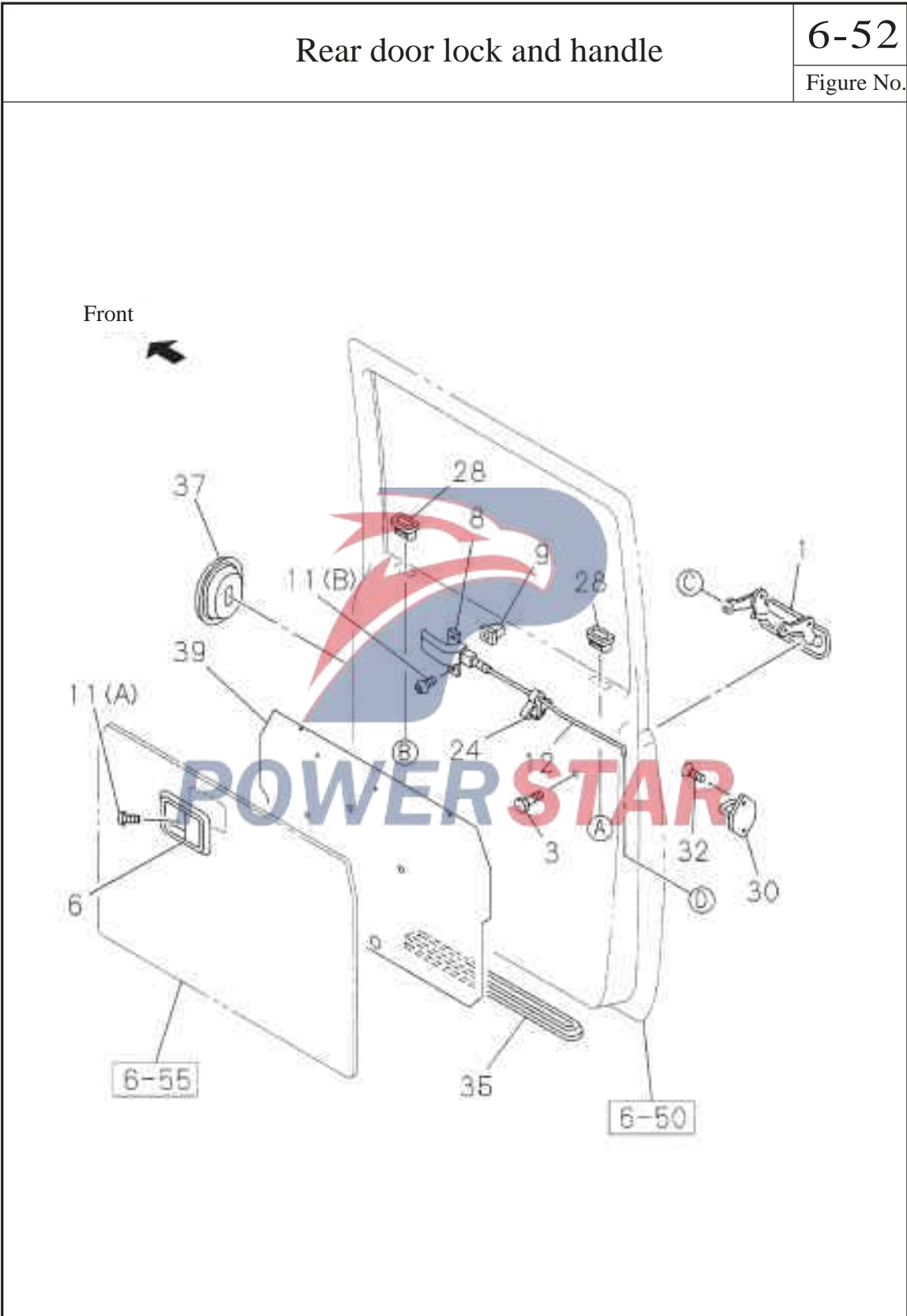
6-51		Rear door window and regulator				
Figure No.		Recommended specification / name of part				
S/N	Isuzu figure No.	QingLing figure No.	L/R	Qty.	Applicable models / applicable status / notes	
					A	Wheelbase 2490mm
					B	Wheelbase 2765mm
					C	Wheelbase 3360mm
					D	Wheelbase 3815mm
71	--- Water seal-rear door 8-97852-232-2	6204133-801		02	BCD ABC	4KH1 engine, only for crew cab 4JB1 engine, only for crew cab
76	--- Bayonet lock-control handle 8-94220-591-0			02	BCD ABC	4KH1 engine, only for crew cab 4JB1 engine, only for crew cab



# Rear door lock and handle

6-52

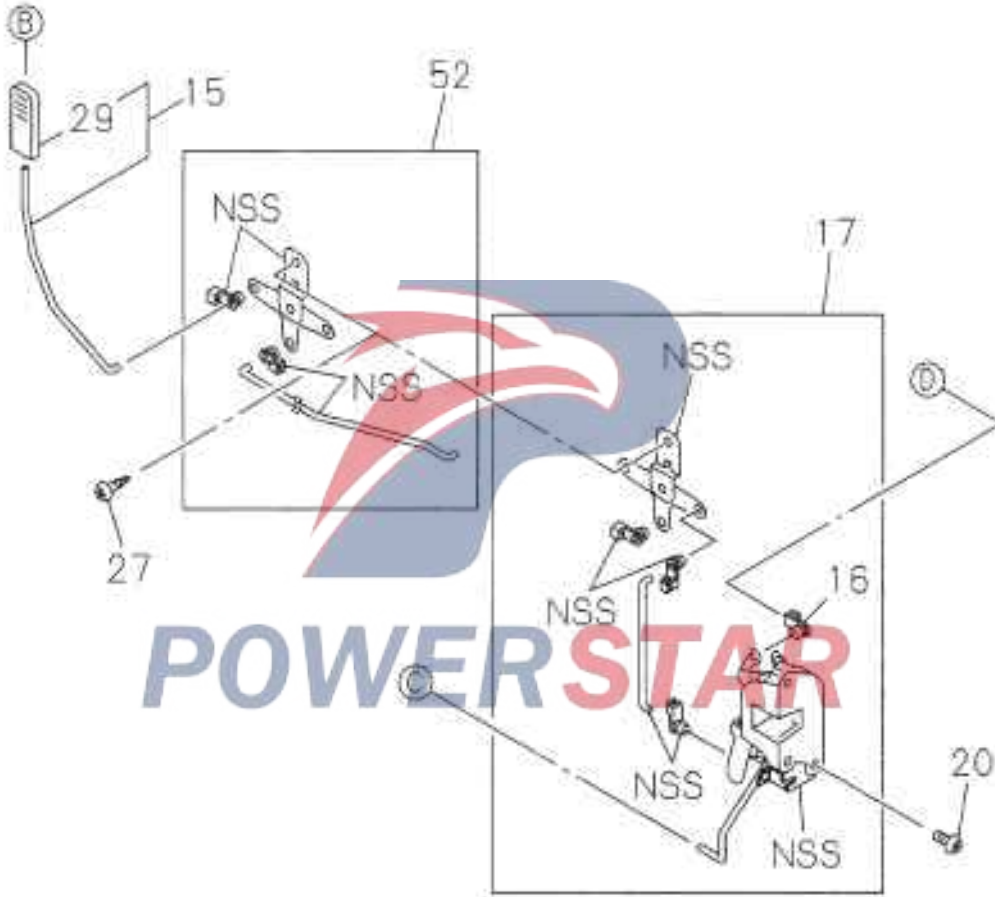
Figure No.



6-52

### Rear door lock and handle

Figure No.





## Rear door lock and handle

6-52

Figure No.

S/N	Recommended specification / name of part					Applicable models / applicable status / notes	
	Isuzu figure No.	QingLing figure No.	L/R	Qty.	A		B
							C
						Wheelbase 2490mm	
						Wheelbase 2765mm	
						Wheelbase 3360mm	
						Wheelbase 3815mm	
<b>1</b>	--- Outer door handle assembly						
	8-97867-722-1	6107710-803	L	01	A B C D		
	8-97867-721-1		R	01	A B C D		
<b>3</b>	--- Bolt-grab rail						
	8-94279-200-0	5401010-26		04	A B C D	M6×12	
<b>6</b>	--- Inner handle box-rear door						
	8-97867-236-2	6107851-801	L	01	B C D	4KH1 engine, only for crew cab	
					A B C	4JB1 engine, only for crew cab	
	8-97867-235-2	6107861-801	R	01	B C D	4KH1 engine, only for crew cab	
					A B C	4JB1 engine, only for crew cab	
<b>8</b>	--- Inner handle assembly-rear door						
	8-97867-234-3	6107810-801	L	01	B C D	4KH1 engine, only for crew cab	
					A B C	4JB1 engine, only for crew cab	
	8-97867-233-3	6107820-801	R	01	B C D	4KH1 engine, only for crew cab	
					A B C	4JB1 engine, only for crew cab	
<b>9</b>	--- Washer nut - inner handle						
	8-94279-078-0	5107223-801		04	B C D	4KH1 engine, only for crew cab	
					A B C	4JB1 engine, only for crew cab	
						Outer diameter=8×8 Length = 7.5 M5	

6-52		Rear door lock and handle				
Figure No.		Recommended specification / name of part				
S/N	Isuzu figure No.	QingLing figure No.	L/R	Qty.	Applicable models / applicable status / notes	
					A	B
						Wheelbase 2490mm
						Wheelbase 2765mm
						Wheelbase 3360mm
						Wheelbase 3815mm
11	--- Screw					
	0-70680-410-0	8203011-26		02	BCD ABC	4KH1 engine, only for crew cab 4JB1 engine, only for crew cab (A)
	0-74310-516-0	6205113-803		04	BCD ABC	M4×10 4KH1 engine, only for crew cab 4JB1 engine, only for crew cab (B)
	12	--- Connecting rod assembly - inner rear door handle				M5×16
	8-97852-226-1	6208010-801	L	01	BCD ABC	4KH1 engine, only for crew cab 4JB1 engine, only for crew cab
	8-97852-225-1	6208020-801	R	01	BCD ABC	4KH1 engine, only for crew cab 4JB1 engine, only for crew cab
15	--- Connecting rod assembly-inner rear door handle					
	8-97868-444-0	6204050-801	L	01	BCD ABC	4KH1 engine, only for crew cab 4JB1 engine, only for crew cab
	8-97868-443-0	6204060-801	R	01	BCD ABC	4KH1 engine, only for crew cab 4JB1 engine, only for crew cab
	17	--- Lock assembly- rear door				
8-97852-474-2		6205010-801	L	01	BCD ABC	4KH1 engine, only for crew cab 4JB1 engine, only for crew cab
	8-97852-473-2	6205020-801	R	01	BCD ABC	4KH1 engine, only for crew cab 4JB1 engine, only for crew cab

## Rear door lock and handle

6-52

Figure No.

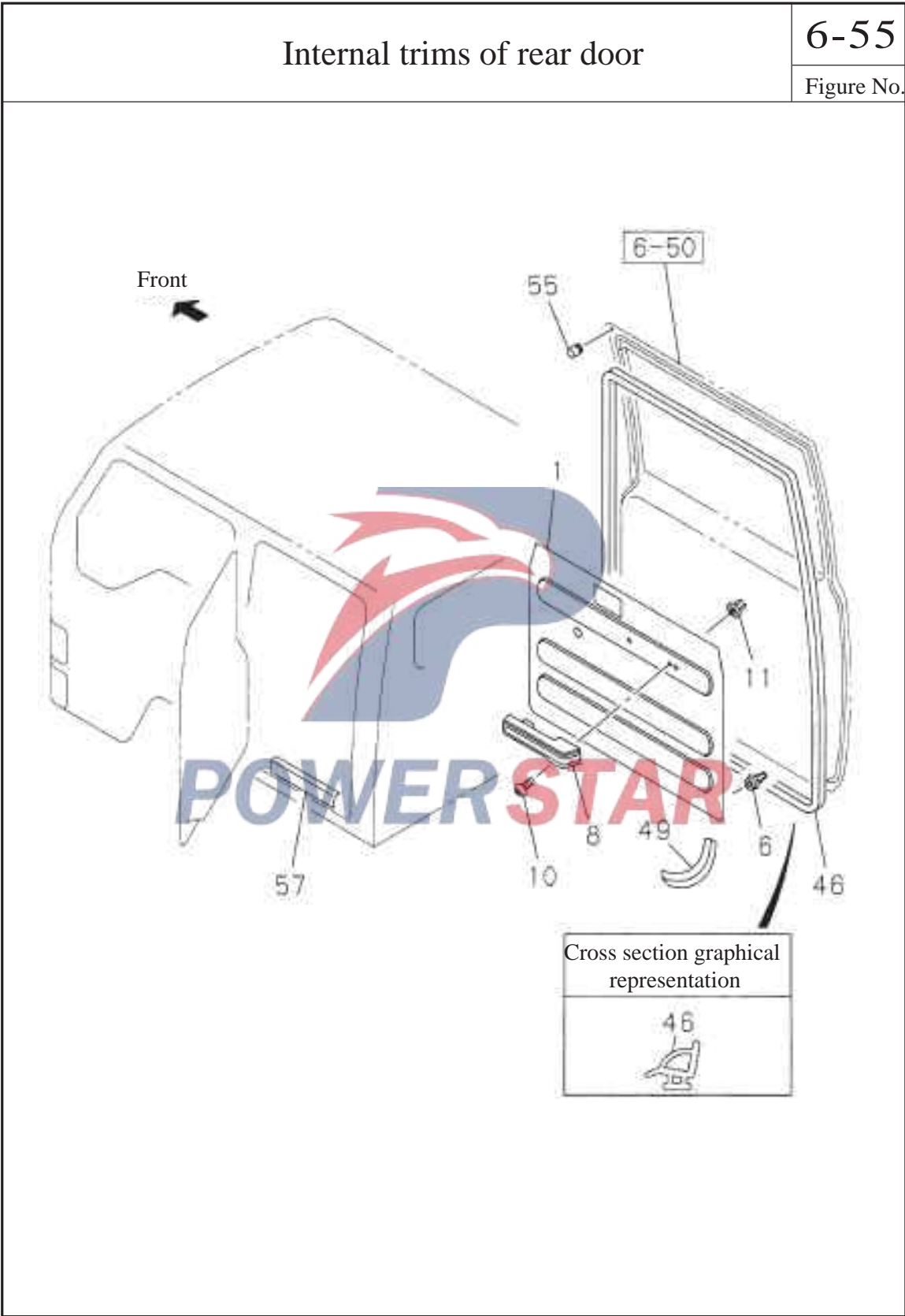
S/N	Recommended specification / name of part				
	Isuzu figure No.	QingLing figure No.	L/R	Qty.	Applicable models / applicable status / notes
					A B C D
20	--- Screw- door lock 1-09981-447-1   6205113-803     06   B C D   4KH1 engine, only for crew cab ABC   4JB1 engine, only for crew cab M6×16				
24	--- Locking clamp- door lock connecting rod 8-94217-699-0   6205131-801     06   B C D   4KH1 engine, only for crew cab ABC   4JB1 engine, only for crew cab Inside diameter =3.8				
27	--- Tapping screw-rear door lock 8-97582-826-0   6205117-803     04   B C D   4KH1 engine, only for crew cab ABC   4JB1 engine, only for crew cab M6×16				
28	--- Protecting cover- door lock button 8-97867-208-1   6204134-801     02   B C D   4KH1 engine, only for crew cab ABC   4JB1 engine, only for crew cab				
29	--- Handle- rear door rod 8-97098-574-0       02   B C D   4KH1 engine, only for crew cab ABC   4JB1 engine, only for crew cab				
30	--- Bumper block assembly-rear door 8-97221-702-0   6107670-803     02   B C D   4KH1 engine, only for crew cab ABC   4JB1 engine, only for crew cab				

6-52		Rear door lock and handle				
Figure No.		Recommended specification / name of part				
S/N	Isuzu figure No.	QingLing figure No.	L/R	Qty.	Applicable models / applicable status / notes	
					A	Wheelbase 2490mm
					B	Wheelbase 2765mm
					C	Wheelbase 3360mm
					D	Wheelbase 3815mm
32	--- Bolt-bumper block assembly					
	8-97221-701-0	6205116-803		04	C	
35	--- Cover plate- bottom hole of door glass					
	8-97852-222-1	6207311-10		02	ABCD	M8×23
37	--- Sealing pad- rear door					
	8-974279-724-0			02	BCD	4KH1 engine, only for crew cab
					ABC	4JB1 engine, only for crew cab
39	--- Foam sealing pad-inner handle					
	8-94271-609-0	6107891-801		02	BCD	4KH1 engine, only for crew cab
					ABC	4JB1 engine, only for crew cab
52	--- Rotation shaft assembly-rear door					
	8-97857-874-1	6204010-801	L	01	BCD	4KH1 engine, only for crew cab
					ABC	4JB1 engine, only for crew cab
	8-97857-873-1	6204020-801	R	01	BCD	4KH1 engine, only for crew cab
					ABC	4JB1 engine, only for crew cab

# Internal trims of rear door

6-55

Figure No.



6-55		Internal trims of rear door					
Figure No.		Recommended specification / name of part					
S/N	Isuzu figure No.	QingLing figure No.	L/R	Qty.	Applicable models / applicable status / notes		
					A	Wheelbase 2490mm	
					B	Wheelbase 2765mm	
					C	Wheelbase 3360mm	
					D	Wheelbase 3815mm	
1	--- Decorative sheet-rear door						
	8-97867-203-5	6202050-26	L	01	BCD	4KH1 engine, only for crew-cab	
6	8-97867-202-5	6202060-26	R	01	ABC	4JB1 engine, only for crew cab	
							4KH1 engine, only for crew cab
8	--- Fastening nail-decorative sheet						
	8-94226-492-0	6202055-26		22	BCD	4KH1 engine, only for crew cab	
10	--- Handrail-rear door						
	8-97867-207-0	6107830-801	L	01	BCD	4KH1 engine, crew cab	
11	8-97867-206-0	6107840-801	R	01	ABC	4JB1 engine, crew cab	
							4KH1 engine, crew cab
46	--- Tapping screw of pan head-handrail						
	9-07066-630-0	Q2716330		04	BCD	4KH1 engine, only for crew cab	
11	--- Washer nut - handrail						
	8-06698-938-1	5107224-801		04	BCD	4KH1 engine, only for crew cab	
46	--- Sealing joint strip- rear door						
	8-97852-364-8	6207100-10		02	BCD	4KH1 engine, only for crew cab	
						4JB1 engine, only for crew cab	

### Internal trims of rear door

6-55

Figure No.

S/N	Recommended specification / name of part				
	Isuzu figure No.	QingLing figure No.	L/R	Qty.	Applicable models / applicable status / notes
					A B C D
					Wheelbase 2490mm Wheelbase 2765mm Wheelbase 3360mm Wheelbase 3815mm
49	--- Sealing joint strip-rear door (lower)				
	8-97583-053-0			02	BCD 4KH1 engine, only for crew cab ABC 4JB1 engine, only for crew cab
55	--- Limit rubber gasket-rear door				
	8-97852-022-1	6209121-26		04	ABCD
57	--- Sealing gasket-rear door threshold				
	8-97852-871-0	6201422-801		02	BCD 4KH1 engine, only for crew cab ABC 4JB1 engine, only for crew cab

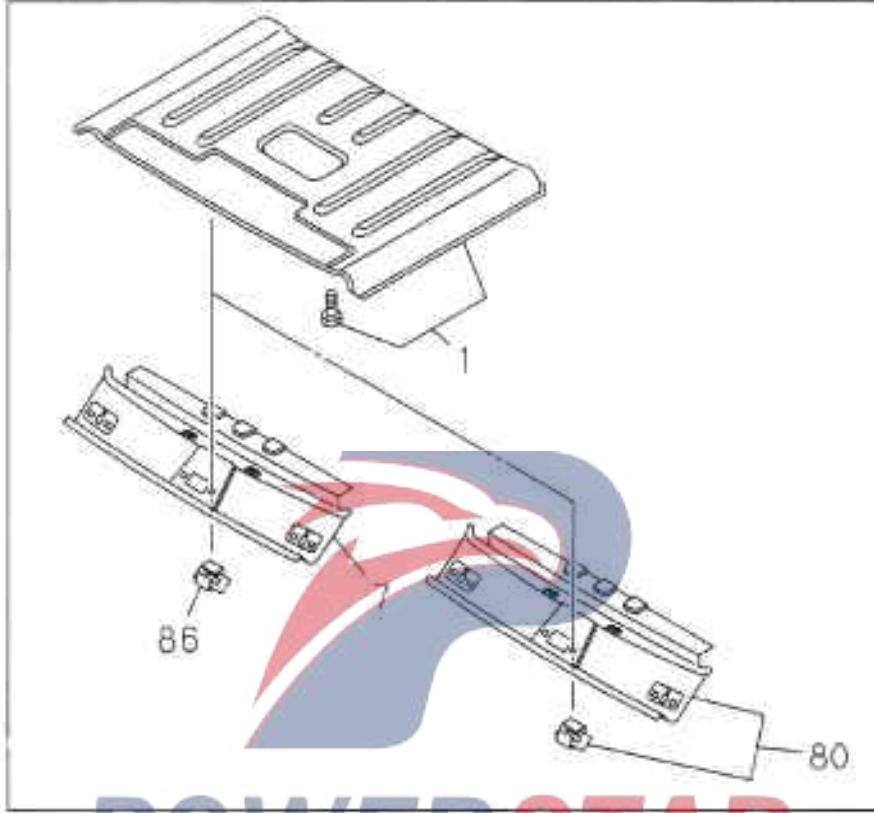
POWERSTAR



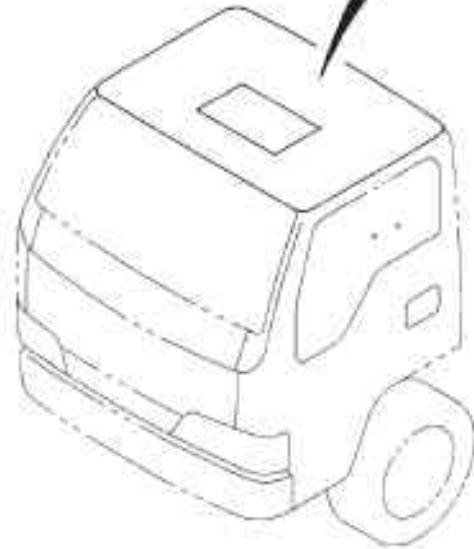
6-60

Roof cover  
Single cab

Figure No.



POWERSTAR

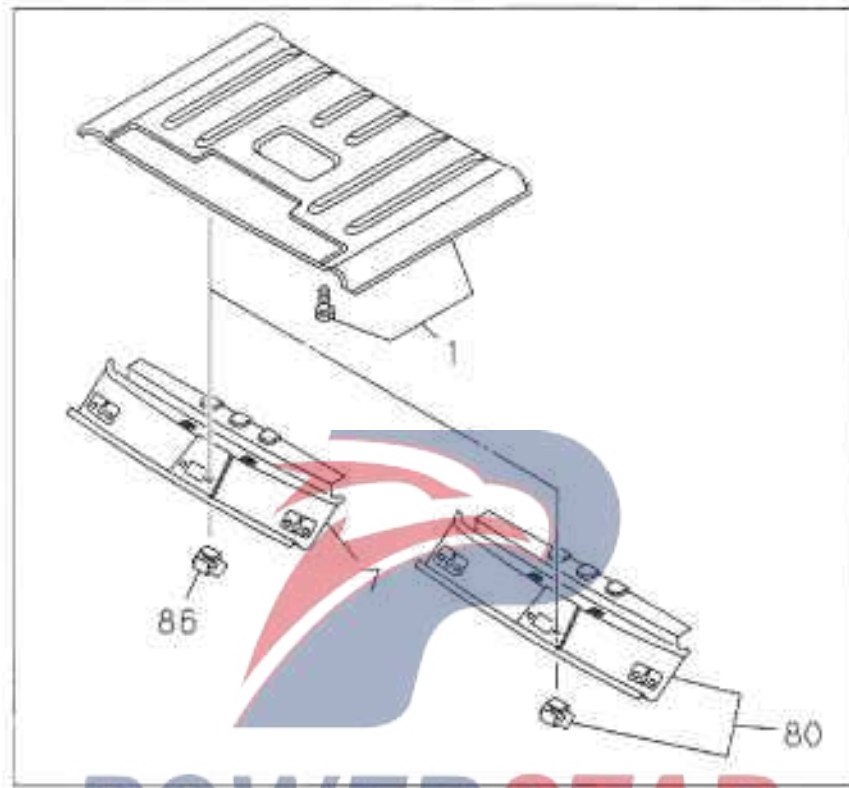


P-476

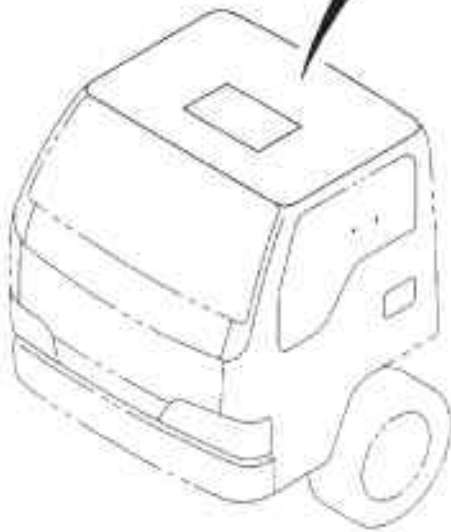
Roof cover  
Crew cab

6-60

Figure No.



POWERSTAR



P-477

6-60		Roof cover				
Figure No.		Recommended specification / name of part				
S/N	Isuzu figure No.	QingLing figure No.	L/R	Qty.	Applicable models / applicable status / notes	
					A	Applicable models / applicable status / notes
						Wheelbase 2490mm
					B	Wheelbase 2765mm
					C	Wheelbase 3360mm
					D	Wheelbase 3815mm
1	--- Head cover assembly					
	8-97851-369-1	5700010-15		01	BCD	
					ABC	4KH1 engine, only for single cab
	8-97851-266-5	5700010-10		01	BCD	4JB1 engine, only for single cab
					ABC	4KH1 engine, only for crew cab
2	--- Middle section of head cover					
						4JB1 engine, only for crew cab
	8-97851-264-2	5701012-10		01	BCD	
					ABC	4KH1 engine, only for crew cab
3	--- Rear section of head cover					
						4JB1 engine, only for crew cab
	8-97851-265-4	5701013-10		01	BCD	
					ABC	4JB1 engine, only for crew cab
7	--- Front cover-larmier					
						4KH1 engine, only for crew cab
	8-97892-141-1			01	ABCD	
17	--- Head cover reinforcing rib assembly					
	8-97853-628-2	5700020-10		01	BCD	
					ABC	4JB1 engine, only for crew cab
79	--- Reinforcing plate - Rear section of head cover					
						4KH1 engine, only for crew cab
		5701024-10		01	BCD	
					ABC	4KH1 engine, only for crew cab
80	--- Top border beam-head cover and windshield					
						4JB1 engine, only for crew cab
		5700012-10		01	ABCD	

# Roof cover

**6-60**

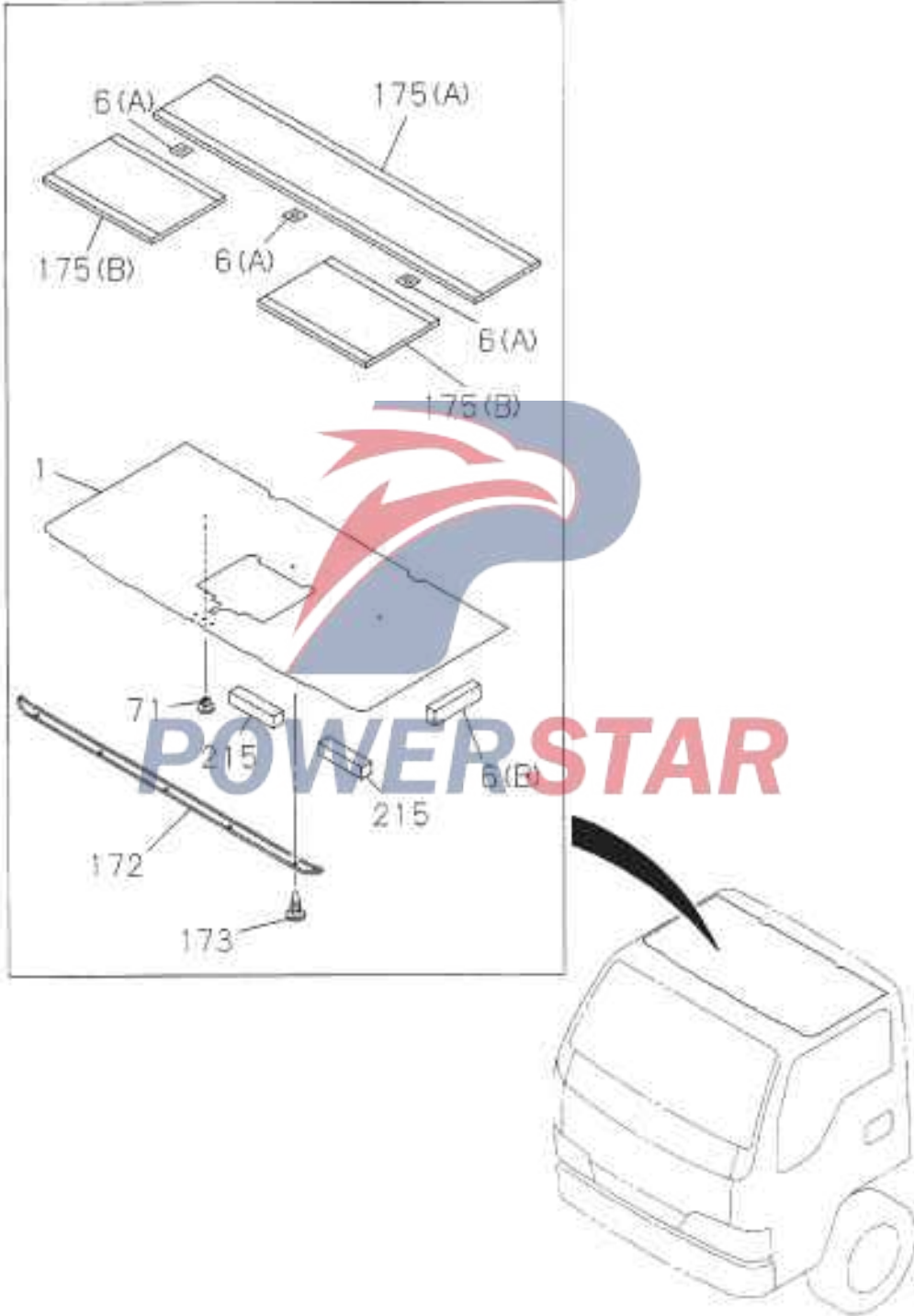
Figure No.

S/N	Recommended specification / name of part				
	Isuzu figure No.	QingLing figure No.	L/R	Qty.	Applicable models / applicable status / notes
					A B C D
					Wheelbase 2490mm Wheelbase 2765mm Wheelbase 3360mm Wheelbase 3815mm
86	--- Bulging nut 8-94279-075-1	5107242-803		01	ABCD M5
131	--- Inner and outer sawtooth 9-09152-206-0	Q41106		01	BCD ABC 4KH1 engine, only for crew cab 4JB1 engine, only for crew cab
132	--- Bolt-head cover reinforcing rib 8-97892-737-0	6205111-801		04	BCD ABC Inside diameter =6 4KH1 engine, only for crew cab 4JB1 engine, only for crew cab

6-66

### Top cover lining and decorating parts Single cab

Figure No.

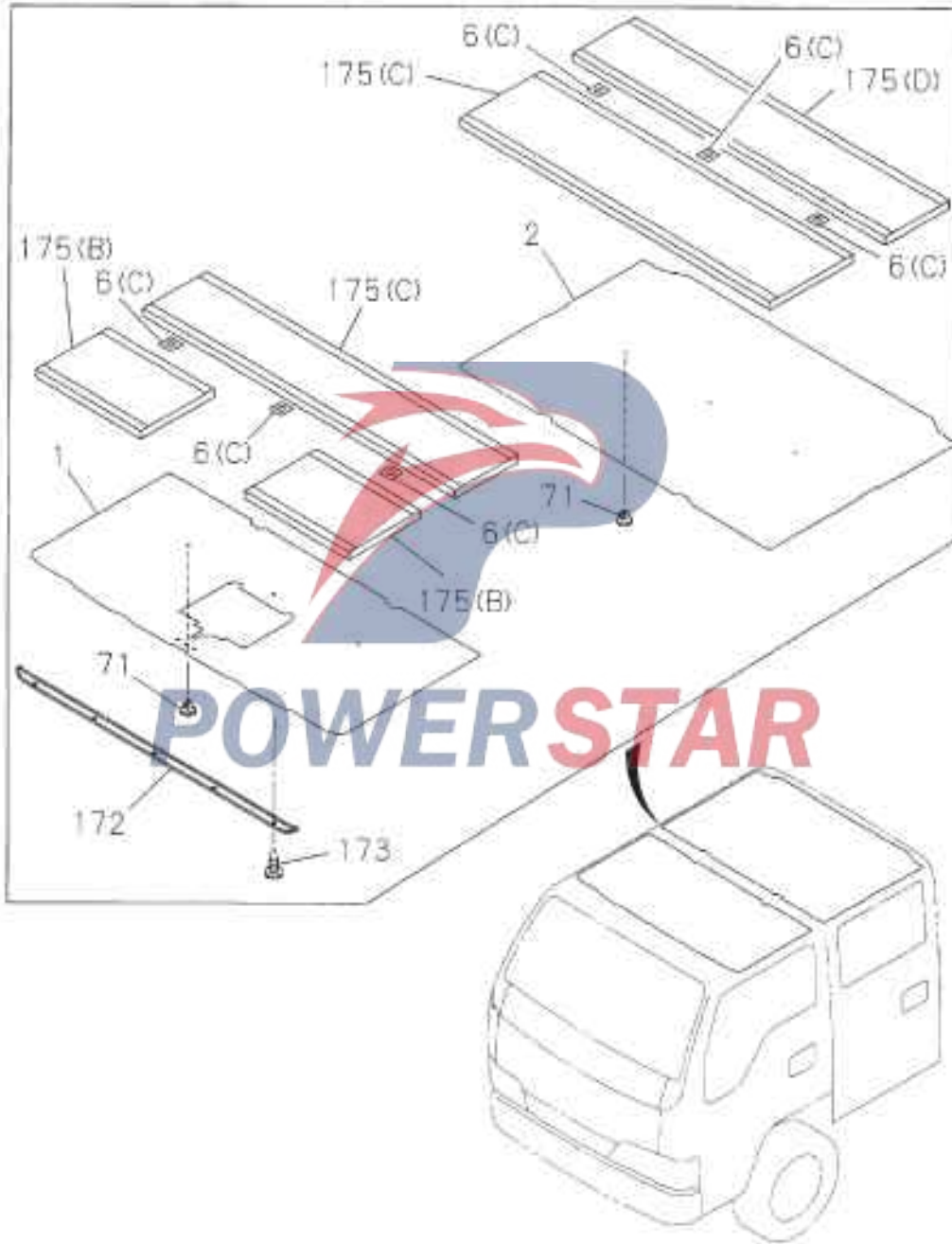


P-480

# Top cover lining and decorating parts Crew cab

6-66

Figure No.



P-481

6-66		Top cover lining and decorating parts					
Figure No.		Recommended specification / name of part					
S/N	Isuzu figure No.	QingLing figure No.	L/R	Qty.	Applicable models / applicable status / notes		
					A	Wheelbase 2490mm	
					B	Wheelbase 2765mm	
					C	Wheelbase 3360mm	
					D	Wheelbase 3815mm	
1	--- Drawing cover lining						
	8-97868-644-2	5710010-803B		01	BCD	4KH1 engine, only for single cab	
					ABC		
	8-97868-648-2	5710040-801B		01	BCD	4JB1 engine, only for single cab	
					ABC	4KH1 engine only crew cab front end	
						4JB1 engine only crew cab front end	
2	--- Head cover lining (rear section)						
	8-97868-652-2	5710050-801B		01	BCD		
					ABC	4KH1 engine, only for single cab	
6	--- Liner - head cover lining						4JB1 engine, only for single cab
	8-94353-014-0	5710060-801		03	BCD	4KH1 engine, only for single cab	
					ABC	4JB1 engine, only for single cab	
	8-97410-832-0	5401721-803		02	BCD	4KH1 engine, only for single cab	
					ABC	4JB1 engine, only for single cab	
						(B) Height =10 length=55	
	8-94353-014-0	5710060-801		06	BCD	4KH1 engine, only for crew cab	
					ABC	4JB1 engine, only for crew cab	
						(C)	
71	--- Fastening nail - head cover lining						
	8-97853-337-2	5107234-801		03	BCD	4KH1 engine, only for single cab	
					ABC	4JB1 engine, only for single cab	
	8-97853-337-2	5107234-801		06	BCD	4KH1 engine, only for crew cab	
					ABC	4JB1 engine, only for crew cab	



## Top cover lining and decorating parts

6-66

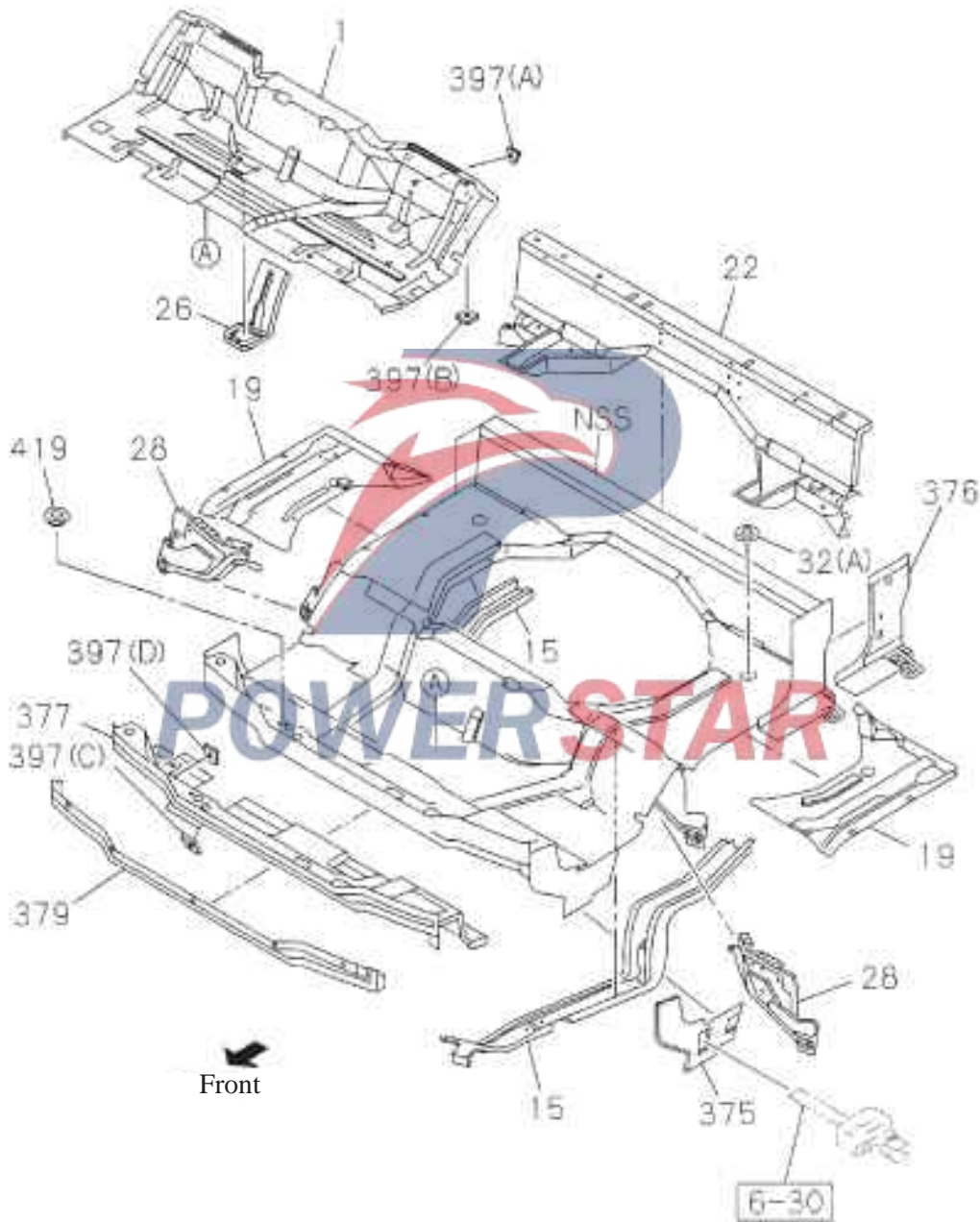
Figure No.

S/N	Recommended specification / name of part				Applicable models / applicable status / notes	
	Isuzu figure No.	QingLing figure No.	L/R	Qty.	A	B
					Wheelbase 2490mm	
					Wheelbase 2765mm	
					Wheelbase 3360mm	
					Wheelbase 3815mm	
172	--- Holder - head cover lining (front)					
	8-97867-191-4	5701111-803		01	ABCD	
173	--- Fastening nail- holder					
	8-97867-240-0			04	ABCD	
175	--- Insulation mat- head cover lining					
	8-97856-791-2	5710020-803		02	ABCD	Front
	8-97856-792-2	5710030-803		01	BCD	(B) 4KH1 engine only single cab rear 4JB1 engine only single cab rear
	8-97856-793-2	5710020-801		02	BCD	(A) 4KH1 engine only crew cab middle 4JB1 engine only crew cab middle
	8-97857-294-1	5710030-801		01	BCD	(C) 4KH1 engine only crew cab rear 4JB1 engine only crew cab rear
215	--- Liner-head cover					
	8-97866-625-0			02	BCD	(D) 4KH1 engine, only for single cab 4JB1 engine, only for single cab Length = 100

6-70

# Floor Single cab

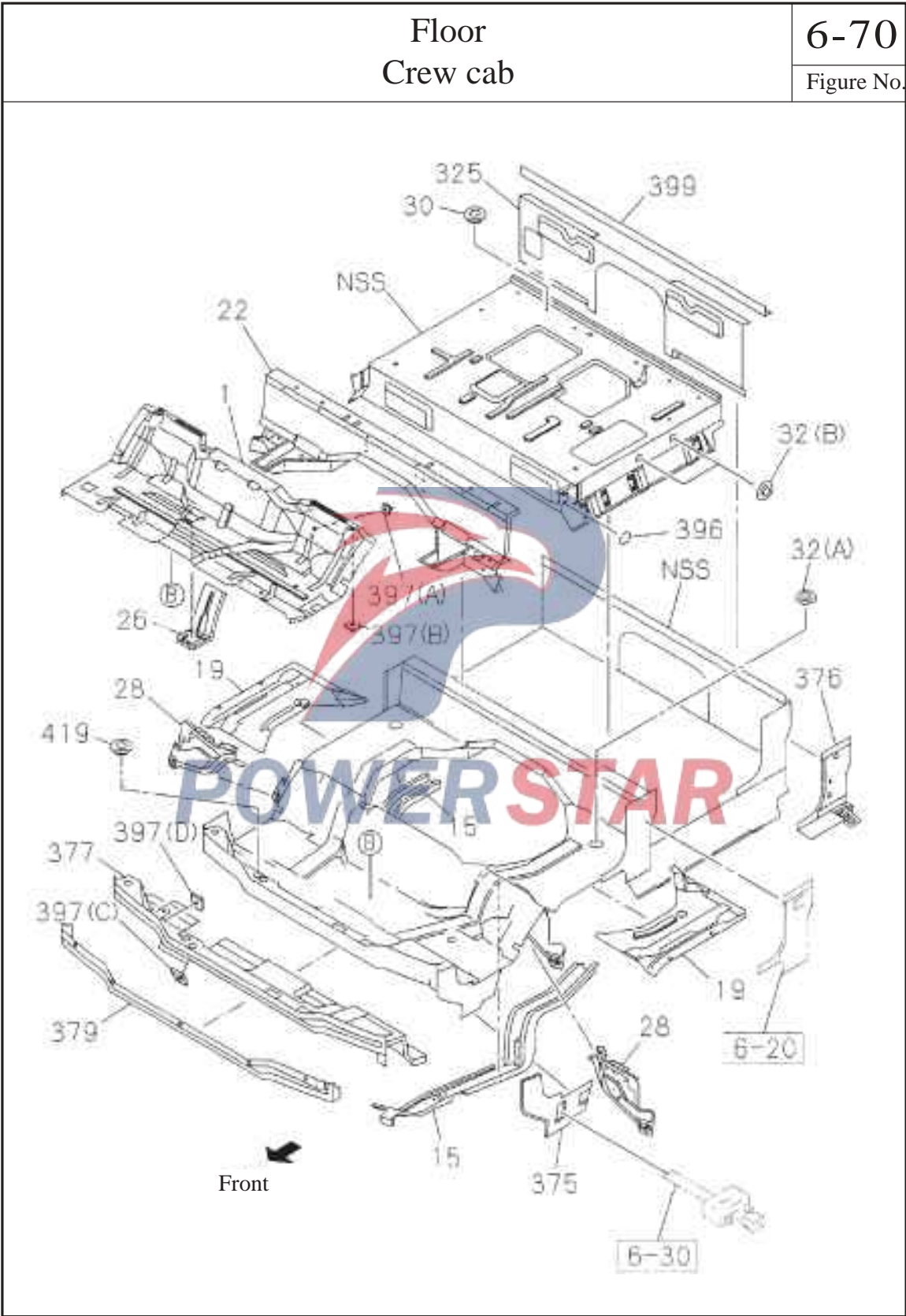
Figure No.



# Floor Crew cab

6-70

Figure No.



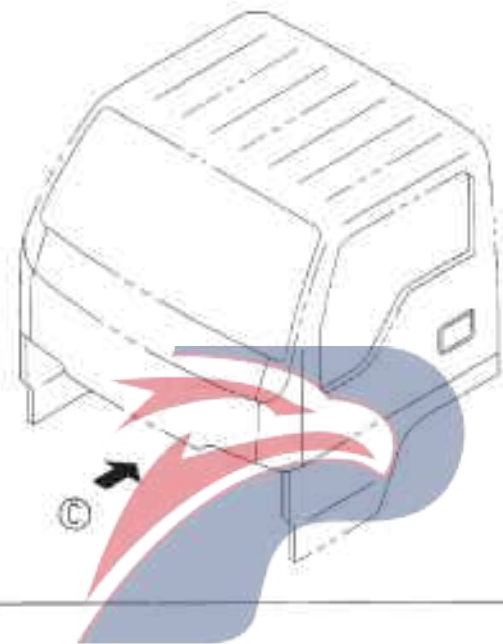
P-485

6-70

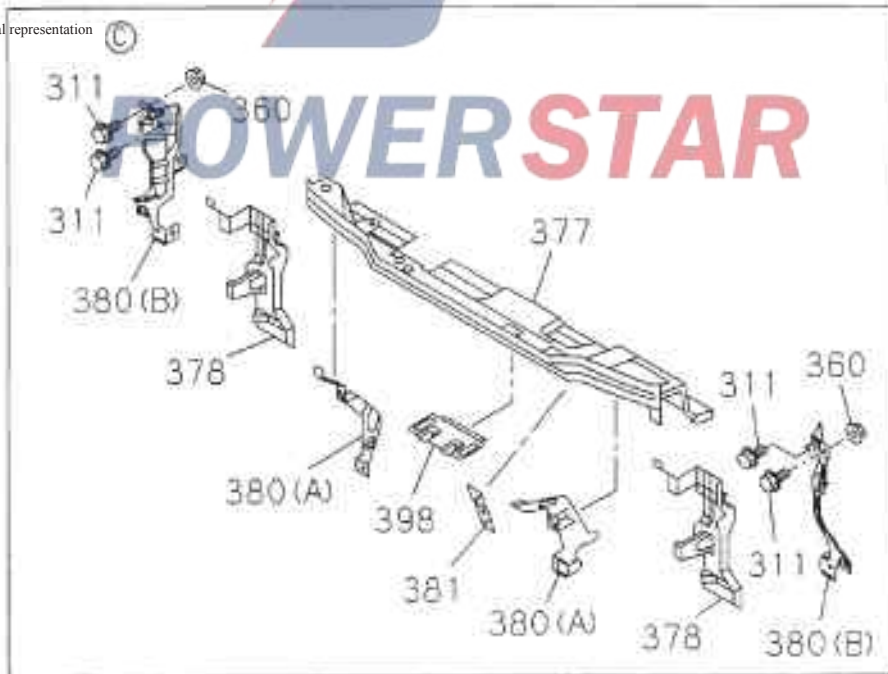
Floor

Figure No.

Front mounting crossbeam



Graphical representation



6-70

Floor

Figure No.

S/N	Recommended specification / name of part					Applicable models / applicable status / notes
	Isuzu figure No.	QingLing figure No.	L/R	Qty.	A	
						Wheelbase 2490mm
						Wheelbase 2765mm
						Wheelbase 3360mm
						Wheelbase 3815mm
1	--- Front section-front floor					
	8-97850-510-7	5101021-10		01	ABCD	
15	--- Framework-lower part					
	8-97850-060-9		L	01	ABCD	
	8-97850-059-9		R	01	ABCD	
19	--- Rear section assembly-front floor					
	8-97850-337-4	5101100-10	L	01	ABCD	
	8-97850-335-4	5101121-10	R	01	ABCD	
22	--- Rear beam assembly-front floor					
	8-97850-537-6	5101210-15		01	BCD	4KH1 engine, crew cab
					ABC	4JB1 engine, crew cab
	8-97850-383-8	5101210-10		01	BCD	4KH1 engine, single cab
					ABC	4JB1 engine, single cab
26	--- Support assembly-variable-speed control mechanism					
	8-97850-005-6	5101030-10		01	ABCD	
28	--- Reinforcing plate assembly- Floor					
	8-97850-017-7	5101030-10		01	ABCD	
	8-97850-338-5	5101150-10		01	ABCD	

6-70		Floor				
Figure No.		Recommended specification / name of part				
S/N	Isuzu figure No.	QingLing figure No.	L/R	Qty.	Applicable models / applicable status / notes	
					A	Applicable models / applicable status / notes
						Wheelbase 2490mm
					B	Wheelbase 2765mm
					C	Wheelbase 3360mm
					D	Wheelbase 3815mm
30	--- Blocking-rear floor (rear)					
	8-94279-731-0	5107612-26		02	BCD	4KH1 engine, only for crew cab
					ABC	4JB1 engine, only for crew cab
						Outer diameter =74
32	--- Fastening nail- Front floor					
	8-94356-253-0			02	ABCD	
	8-94122-971-0			04	BCD	
					ABC	(A)
						Outer diameter =53.5
						4KH1 engine only single cab front floor
311	--- Bolt - Bracket					
	8-94279-201-0			04	ABCD	(B)
						Outer diameter=35
						M6×16
325	--- Reinforcing plate assembly-rear wall					
	8-97581-009-0			01	BCD	4KH1 engine, only for crew cab
					ABC	4JB1 engine, only for crew cab
360	--- Riveting nut					
	8-94279-537-0	T3720616		02	ABCD	
						M6



Floor						6-70
						Figure No.
S/N	Recommended specification / name of part					
	Isuzu figure No.	QingLing figure No.	L/R	Qty.	Applicable models / applicable status / notes	
					A	Wheelbase 2490mm
					B	Wheelbase 2765mm
					C	Wheelbase 3360mm
					D	Wheelbase 3815mm
375	--- Inner plate assembly-lower part of A-pillar					
	8-97850-087-3	5101050-10	L	01	ABCD	
	8-97850-086-4	5101060-10	R	01	ABCD	
376	--- Inner plate-C-pillar					
	8-9850-187-3	5100151-10	L	01	BCD	4KH1 engine, crew cab
	8-997850-186-3	5100152-10	R	01	BCD	4JB1 engine, crew cab
					ABC	4KH1 engine, crew cab
					ABC	4JB1 engine, crew cab
377	--- Front beam-front floor					
	8-97850-481-9	5101311-10		01	ABCD	
378	--- Reinforcing plate assembly- lower part of A-pillar					
	8-97850-672-1	5101360-10	R	01	ABC	
	8-97581-828-1	5101360-861	L	01	BCD	4JB1 engine
	8-97850-671-0	5101390-10	R	01	ABC	4KH1 engine
	8-97581-827-1	5101390-861	R	01	BCD	4JB1 engine
379	--- Connecting plate - front beam					
	8-97850-050-2	5101465-861		01	ABCD	4KH1 engine
380	--- Bracket - headlight					
	8-97581-642-4	5400060-803	R	01	BCD	(B)
	8-97851-643-4	5400050-803	L	01	BCD	(B)
	8-97850-359-1	5101470-10	L	01	ABCD	(A)

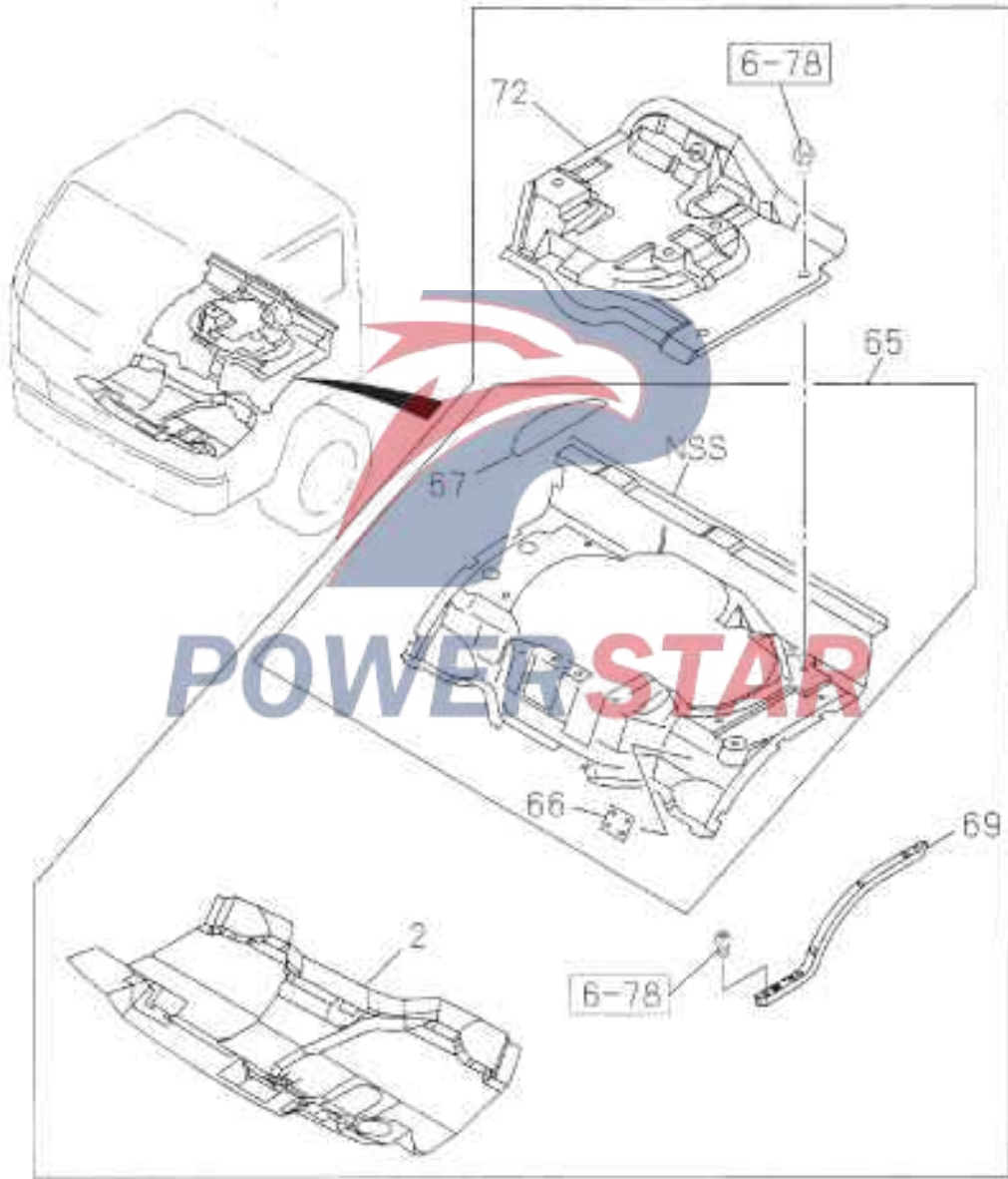


6-70		Floor				
Figure No.						
S/N	Recommended specification / name of part					
	Isuzu figure No.	QingLing figure No.	L/R	Qty.	Applicable models / applicable status / notes	
					A Wheelbase 2490mm	
					B Wheelbase 2765mm	
					C Wheelbase 3360mm	
					D Wheelbase 3815mm	
380	--- Bracket - headlight					
	8-97850-358-1	5101480-10	R	01	ABCD (A)	
381	--- Bracket					
	8-97850-352-1			01	ABCD	
396	--- Clogging					
	1-09983-049-0	5107613-26			BCD 4KH1 engine, crew cab	
					ABC 4JB1 engine, crew cab	
397	--- Four-corner welded nut					
	9-09114-030-0	T364A10		03	ABCD (D)	
					M10	
	9-09114-046-0	T364A06		04	ABCD (A)	
					M6	
	9-09114-048-0	T364A08		04	ABCD (C)	
					M8	
	9-09114-048-0	T364A08		03	ABCD (B)	
					M8	
398	--- Bracket assembly					
	8-97850-318-1	5101330-10		01	ABCD	
399	--- Connecting plate-rear mounting bracket					
	8-97850-170-2	5100141-10		01	BCD 4KH1 engine, only for crew cab	
					ABC 4JB1 engine, only for crew cab	
419	--- Blocking-front section of front floor					
	1-09983-092-0			01	ABCD	
					Outer diameter=36	

# Floor mat Single cab

6-75

Figure No

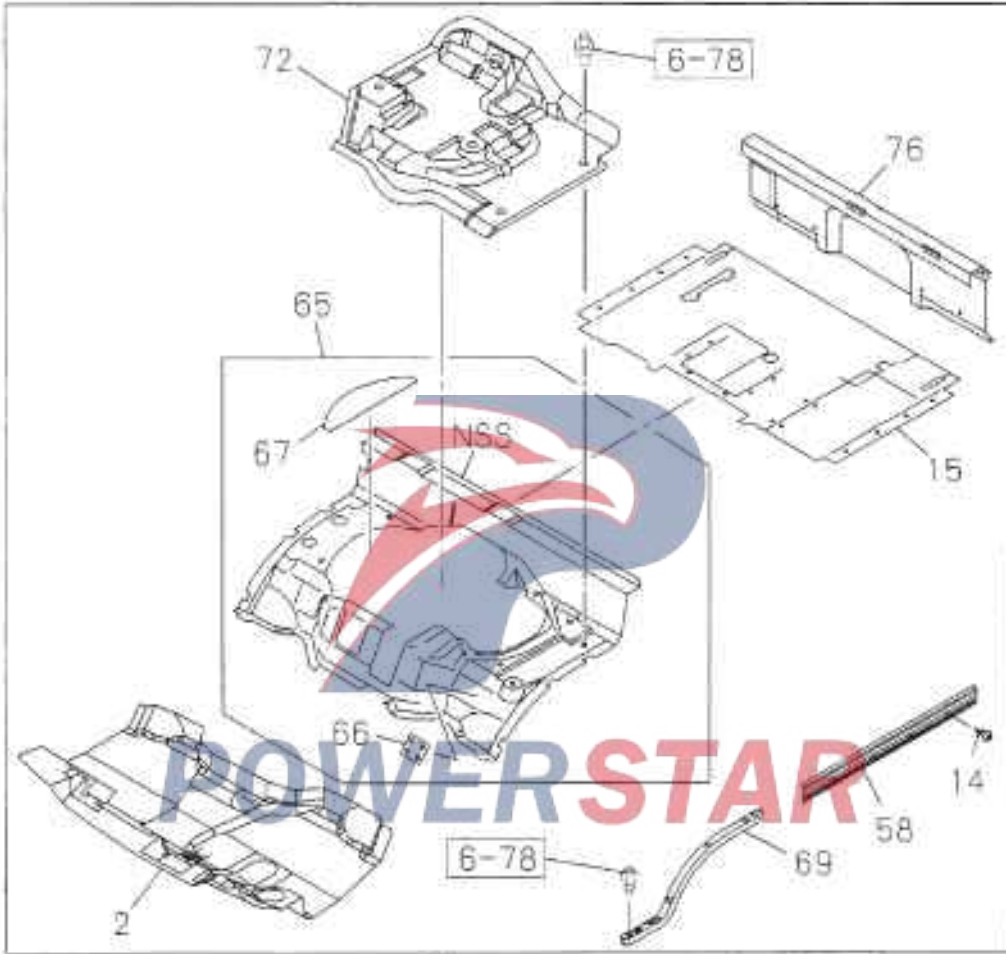


P-491

6-75

# Floor mat Crew cab

Figure No.



# Floor mat

6-75

Figure No.

S/N	Recommended specification / name of part				
	Isuzu figure No.	QingLing figure No.	L/R	Qty.	Applicable models / applicable status / notes
					A B C D
					Wheelbase 2490mm Wheelbase 2765mm Wheelbase 3360mm Wheelbase 3815mm
2	--- Front floor mat assembly				
	8-97996-634-2	5109040-10		01	ABCD
14	--- Bolt-rear floor mat				
	8-94279-123-0	Q2204816		08	BCD 4KH1 engine, crew cab ABC 4JB1 engine, crew cab M5×16
15	--- Rear floor mat assembly				
	8-97581-020-0			01	BCD 4KH1 engine, crew cab ABC 4JB1 engine, crew cab
	5109200-28				
58	--- Depression bar- rear floor				
	8-97081-344-3	5109211-26		02	BCD 4KH1 engine, crew cab ABC 4JB1 engine, crew cab
65	--- Sound insulation pad assembly				
	8-97996-698-0	5109080-15		01	BCD 4KH1 engine, single cab ABC 4JB1 engine, single cab
	8-97996-777-0	5109080-10		01	BCD 4KH1 engine, crew cab ABC 4JB1 engine, crew cab
66	--- Hanger				
	8-97997-582-0			02	ABCD
67	--- Cover plate				
	8-97997-588-0			01	ABCD

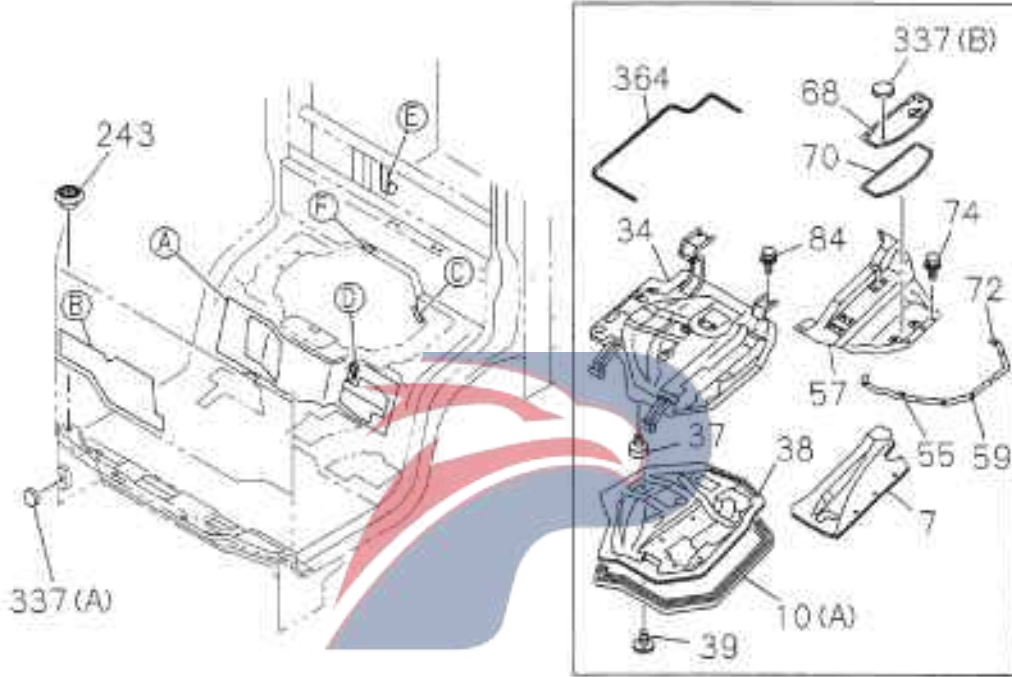
6-75		Floor mat				
Figure No.		Recommended specification / name of part				
S/N	Isuzu figure No.	QingLing figure No.	L/R	Qty.	Applicable models / applicable status / notes	
					A	Wheelbase 2490mm
					B	Wheelbase 2765mm
					C	Wheelbase 3360mm
					D	Wheelbase 3815mm
69	--- Decorative depression bar- front door threshold					
	8-97857-552-0	8200111-803	L	01	ABCD	
	8-97857-551-0	8200121-803	R	01	ABCD	
72	--- Sound insulation pad of engine (upper)					
	8-97996-765-0	5109060-10		01	ABCD	
76	--- Sound insulation pad assembly- middle cross beam (rear)					
	8-97581-021-1	5109100-28A		01	BCD	4KH1 engine, crew cab
					ABC	4JB1 engine, crew cab



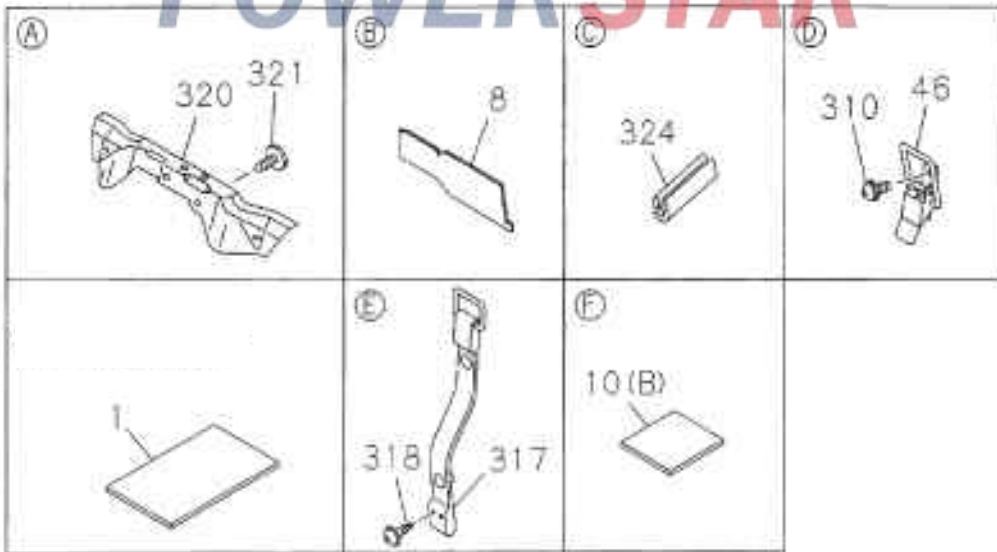
# Floor decorations and sealing elements

6-76

Figure No.



# POWERSTAR



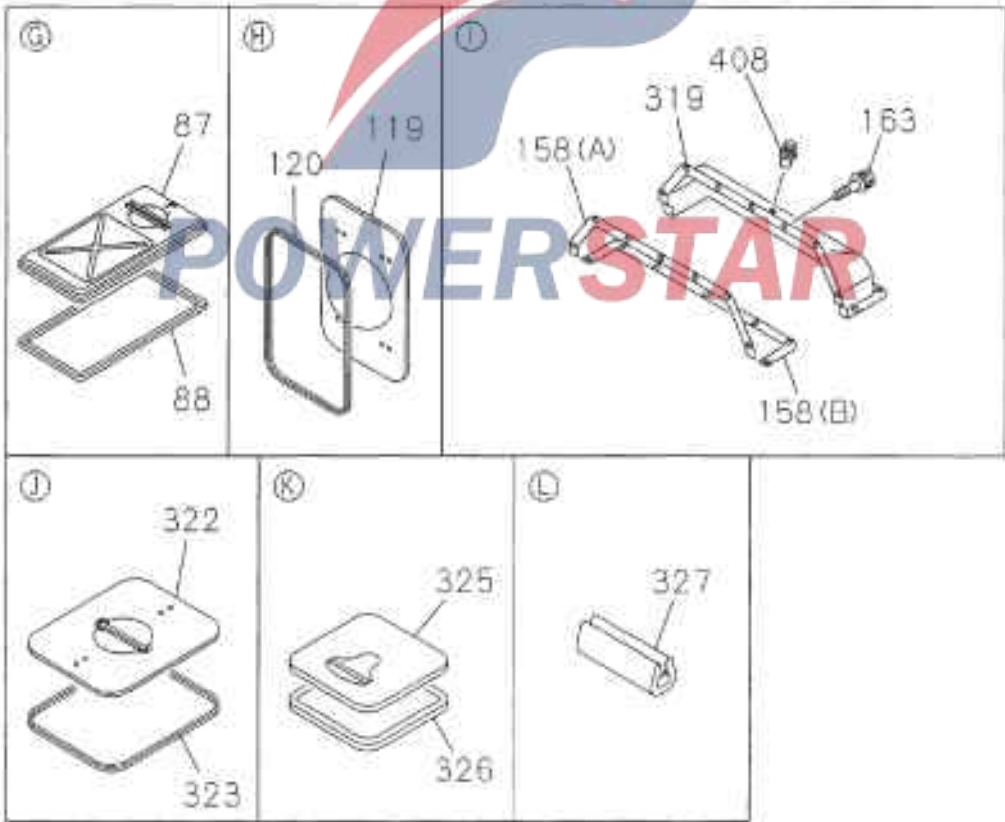
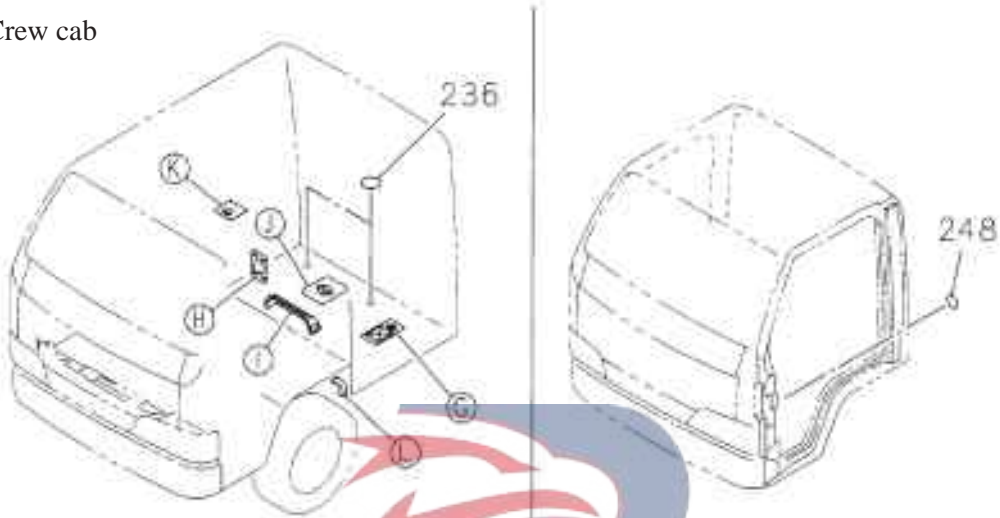


# 6-76

## Floor decorations and sealing elements

Figure No.

Crew cab





6-76

Figure No.

Floor decorations and sealing elements

S/N	Recommended specification / name of part				Applicable models / applicable status / notes	
	Isuzu figure No.	QingLing figure No.	L/R	Qty.	A	B
					Wheelbase 2490mm	
					Wheelbase 2765mm	
					Wheelbase 3360mm	
					Wheelbase 3815mm	
1	--- Pitch prill gasket					
	8-94262-093-0	8200137-803		01	ABCD	
7	--- Insulation mat- support cover plate					
	8-97856-208-1	8200090-803		01	ABCD	
8	--- Sound insulation pad - front wall					
	8-97853-604-2	5302021-850	L	01	ABCD	
	8-97853-603-2	5302031-850	R	01	ABCD	
10	--- Sealing gasket- support cover plate					
	8-97857-240-0	8200013-803		02	ABCD	(B)
	8-97853-010-3	8200012-803		01	ABCD	(A)
34	--- Cover assembly- engine cover					
	8-97850-678-1			01	ABCD	
37	--- Cushion block- engine cover					
	5-74917-001-2			02	ABCD	Outer diameter =11
38	--- Insulation mat- engine cover					
	8-97856-204-1	8200050-803		01	ABCD	

6-76		Floor decorations and sealing elements				
Figure No.		Recommended specification / name of part				
S/N	Isuzu figure No.	QingLing figure No.	L/R	Qty.	Applicable models / applicable status / notes	
					A	Wheelbase 2490mm
					B	Wheelbase 2765mm
					C	Wheelbase 3360mm
					D	Wheelbase 3815mm
39	--- Fastening nail- insulation mat at the front section of floor					
	8-94279-952-0			10	ABCD	Outer diameter=30
46	--- Hanger assembly- engine cover					
	8-97853-632-2	8200070-803		02	ABCD	
55	--- Sealing strip C- support cover plate					
	8-97857-467-0	8200040-803		01	ABCD	
57	--- Support cover plate assembly					
		5107010-10		01	ABCD	
59	--- Sealing strip B- support cover plate					
	8-97857-466-0	8200030-803		01	ABCD	
68	--- Auxiliary cover plate assembly- support cover plate					
	8-97583-489-0	5107130-10		01	ABCD	
70	--- Sealing strip- auxiliary cover plate					
	8-97583-050-1	8200080-803		01	ABCD	
72	--- Sealing strip A- support cover plate					
	8-97857-465-0	8200020-803		01	ABCD	

## Floor decorations and sealing elements

# 6-76

Figure No.

S/N	Recommended specification / name of part				
	Isuzu figure No.	QingLing figure No.	L/R	Qty.	Applicable models / applicable status / notes
					A B C D
<b>74</b>	--- Flange bolt - support cover plate 0-28680-820-0   Q1840820     04   A B C D   M8×20 0-28680-825-0   Q1840825     01   A B C D   M8×25				
<b>84</b>	--- Flange bolt- engine cover hinge 0-28680-820-0   Q1840820     04   A B C D   M8×20				
<b>87</b>	--- Battery cover plate assembly 8-97856-332-4   5107140-10     01   B C D   4KH1 engine, crew cab ABC   4JB1 engine, crew cab				
<b>88</b>	--- Sealing strip- battery cover plate 8-97853-725-1   5107211-801     01   B C D   4KH1 engine, crew cab ABC   4JB1 engine, crew cab				
<b>119</b>	--- Cover plate assembly 8-97853-440-2       01   B C D   4KH1 engine, crew cab ABC   4JB1 engine, crew cab				
<b>120</b>	--- Sealing strip 8-97853-441-1       01   B C D   4KH1 engine, crew cab ABC   4JB1 engine, crew cab				

6-76		Floor decorations and sealing elements					
Figure No.		Recommended specification / name of part					
S/N	Isuzu figure No.	QingLing figure No.	L/R	Qty.	Applicable models / applicable status / notes		
					A	Wheelbase 2490mm	
					B	Wheelbase 2765mm	
					C	Wheelbase 3360mm	
					D	Wheelbase 3815mm	
158	--- Sealing strip- engine cover (rear)						
	8-97581-013-0	5110012-28		01	BCD	4KH1 engine upper part of crew cab	
					ABC	4JB1 engine, crew cab, upper part	
	8-97581-014-0	5110013-28		01	BCD	(A)	
					ABC	4KH1 engine lower part of crew cab	
						4JB1 engine, crew cab, lower part	
						(B)	
163	--- Bolt - engine cover (rear)						
	8-94279-203-0	8405155-26		14	BCD	4KH1 engine, crew cab	
					ABC	4JB1 engine, crew cab	
						M6×20	
236	--- Seal cover piece						
	5-76777-036-0			02	ABCD	Outer diameter=20 Thickness = 0.05	
243	--- Blocking						
	8-97898-423-0			01	ABCD	Outer diameter =12.1	
248	--- Seal cover piece-rear wall (lower)						
	5-76777-035-0			04	ABCD	Outer diameter=36 Thickness = 0.05	

## Floor decorations and sealing elements

6-76

Figure No.

S/N	Recommended specification / name of part				
	Isuzu figure No.	QingLing figure No.	L/R	Qty.	Applicable models / applicable status / notes
					A B C D
310	--- Tapping screw-engine cover hanger 8-94279-403-0   Q2360620       04   ABCD   M6×20				
317	--- Fixing band assembly-engine cover 8-97867-201-1         01   ABCD   Length = 535				
318	--- Bolt-fixing band 0-74310-516-0   6205113-803       02   ABCD   M5×16				
319	--- Rear cover assembly-engine cover 8402100-28         01   BCD   4KH1 engine, crew cab           ABC   4JB1 engine, crew cab				
320	--- Insulation mat-front section of floor 8-97857-142-3   8200060-803       01   ABCD				
321	--- Fastening nail- insulation mat at the front section of floor 8-94279-952-0         03   ABCD   Outer diameter=30				
322	--- Cover plate assembly 8-97853-442-2         01   BCD   4KH1 engine, crew cab           ABC   4JB1 engine, crew cab				

6-76		Floor decorations and sealing elements				
Figure No.		Recommended specification / name of part				
S/N	Isuzu figure No.	QingLing figure No.	L/R	Qty.	Applicable models / applicable status / notes	
					A	Wheelbase 2490mm
					B	Wheelbase 2765mm
					C	Wheelbase 3360mm
					D	Wheelbase 3815mm
323	--- Sealing strip 8-97853-443-2			01	BCD ABC	4KH1 engine, crew cab 4JB1 engine, crew cab
324	--- Insertion strip- front floor 8-97892-742-0			01	ABCD	Length = 140
325	--- Cover plate assembly- buffer tank 8-97856-974-0	5107110-10		01	BCD ABC	4KH1 engine, crew cab 4JB1 engine, crew cab
326	--- Sealing strip - buffer tank 8-97856-975-1	8200231-801		01	BCD ABC	4KH1 engine, crew cab 4JB1 engine, crew cab
327	--- Insertion strip- B-pillar (lower) 8-97857-257-1	5405301-26		02	BCD ABC	4KH1 engine, crew cab 4JB1 engine, crew cab
337	--- Seal cover piece 5-76777-036-0			01	ABCD	(A) Outer diameter=20 Thickness = 0.05
	8-97856-832-1			02	ABCD	(B) Outer diameter=20 Thickness = 0.05

## Floor decorations and sealing elements

6-76

Figure No.

S/N	Recommended specification / name of part												
	Isuzu figure No.	QingLing figure No.	L/R	Qty.	Applicable models / applicable status / notes								
					A B C D								
					<table style="width: 100%; border-collapse: collapse;"> <tr><td style="width: 10px;">A</td><td>Wheelbase 490mm</td></tr> <tr><td style="width: 10px;">B</td><td>Wheelbase 2765mm</td></tr> <tr><td style="width: 10px;">C</td><td>Wheelbase 3360mm</td></tr> <tr><td style="width: 10px;">D</td><td>Wheelbase 3815mm</td></tr> </table>	A	Wheelbase 490mm	B	Wheelbase 2765mm	C	Wheelbase 3360mm	D	Wheelbase 3815mm
A	Wheelbase 490mm												
B	Wheelbase 2765mm												
C	Wheelbase 3360mm												
D	Wheelbase 3815mm												
<b>364</b>	--- Sealing strip- engine cover 8-97892-744-0   8200015-803     01   ABCD   Length = 1100												
<b>408</b>	---Fastening nail- middle cross beam 8-94279-089-0   5107231-801     03   BCD   4KH1 engine, crew cab           ABC   4JB1 engine, crew cab												

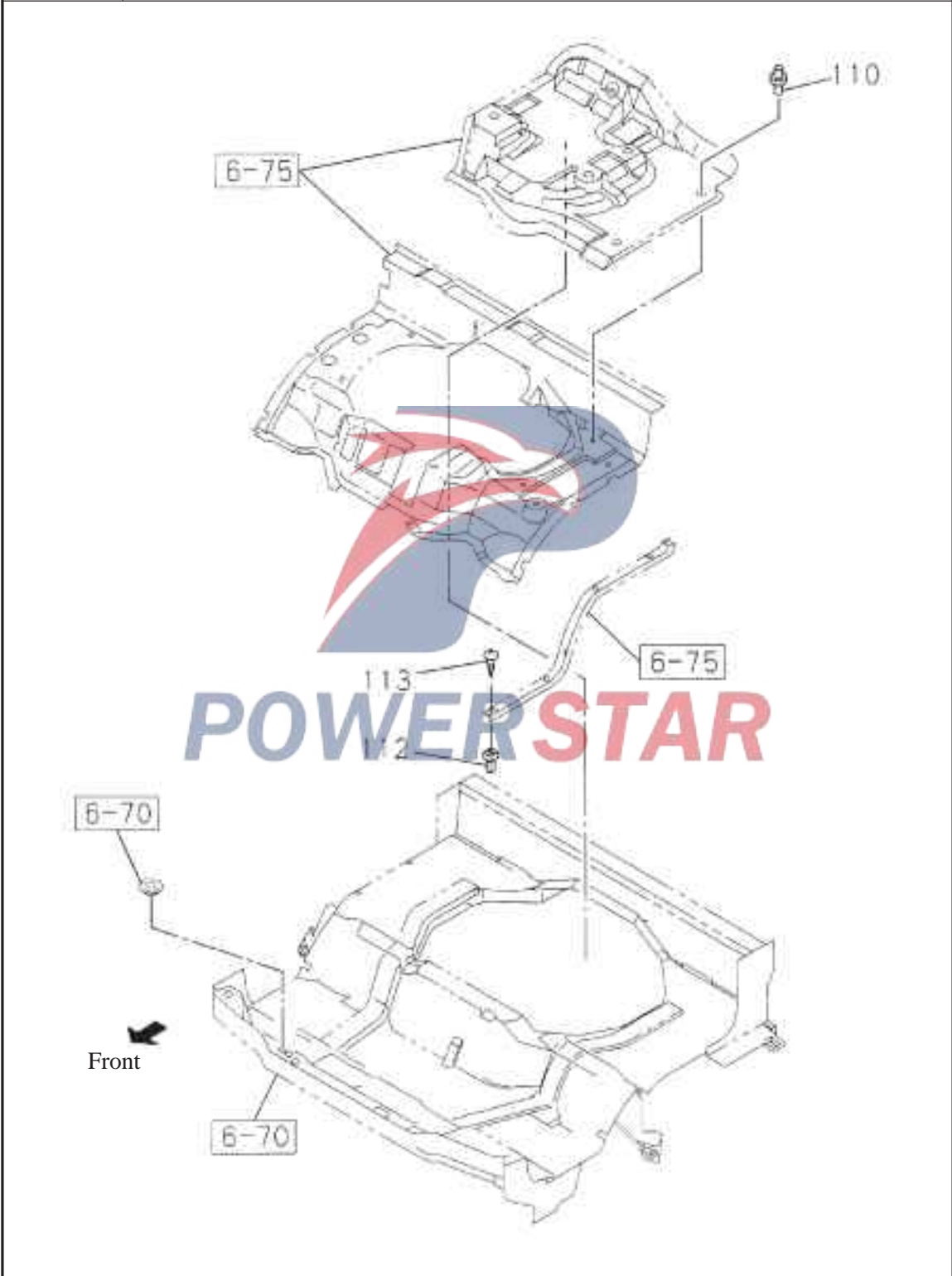




6-78

# Floor fastening nails Single cab

Figure No.

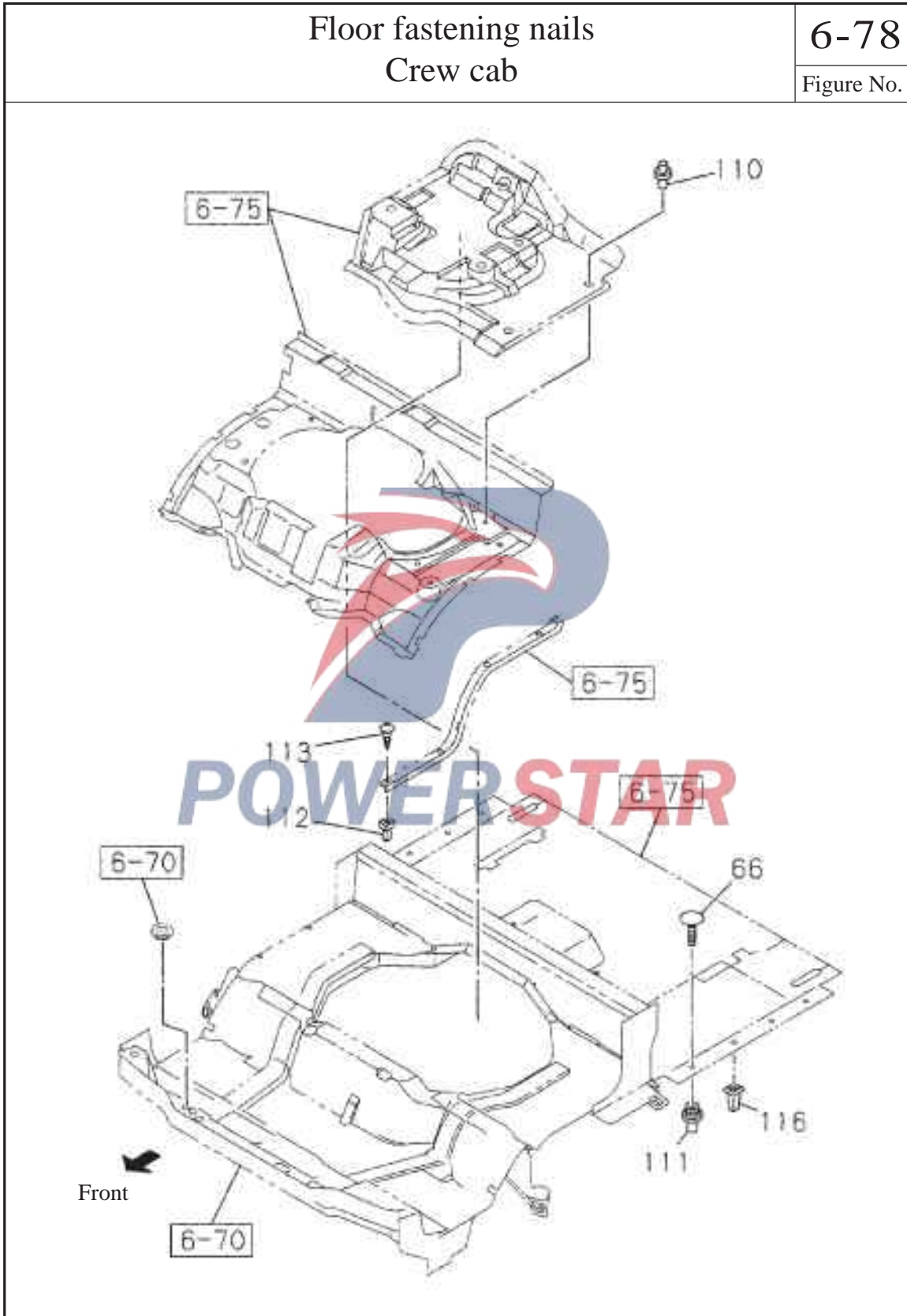


P-504

# Floor fastening nails Crew cab

6-78

Figure No.



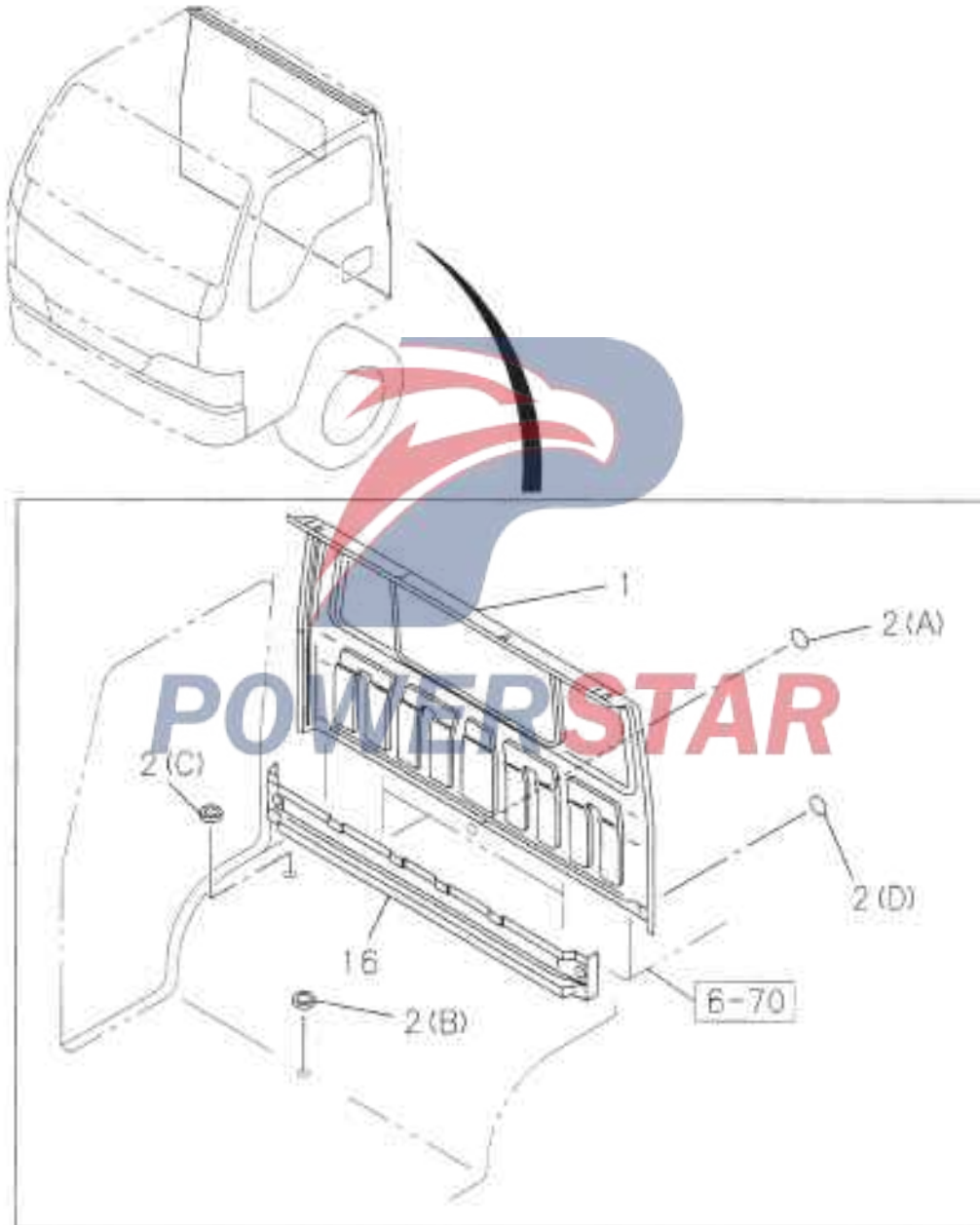
P-505

6-78		Floor fastening nails			
Figure No.		Recommended specification / name of part			
S/N	Isuzu figure No.	QingLing figure No.	L/R	Qty.	Applicable models / applicable status / notes
					A B C D
66	---	Fastening nail- middle cross beam(upper part)			
	8-97867-158-0	5107232-801		04	ABC 4JB1 engine, crew cab
110	---	Fastening nail- front floor			
	8-94279-089-0	5107231-801		12	ABCD
111	---	Fastening nail- middle cross beam(Rear part)			
	8-94279-089-0	5107231-801		08	BCD ABC 4KH1 engine, crew cab 4JB1 engine, crew cab
112	---	Washer nut - decorative depression bar			
	8-94463-268-1			10	ABCD Thickness =15
113	---	Bolt-decorative depression bar			
	0-74110-514-0			10	ABCD M5×14
116	---	Washer nut - front floor			
	8-94279-043-0	6201410-26		08	BCD ABC 4KH1 engine, crew cab 4JB1 engine, crew cab Outer diameter=7.8×7.8 Length = 18

# Rear wall plate Single cab

6-80

Figure No.

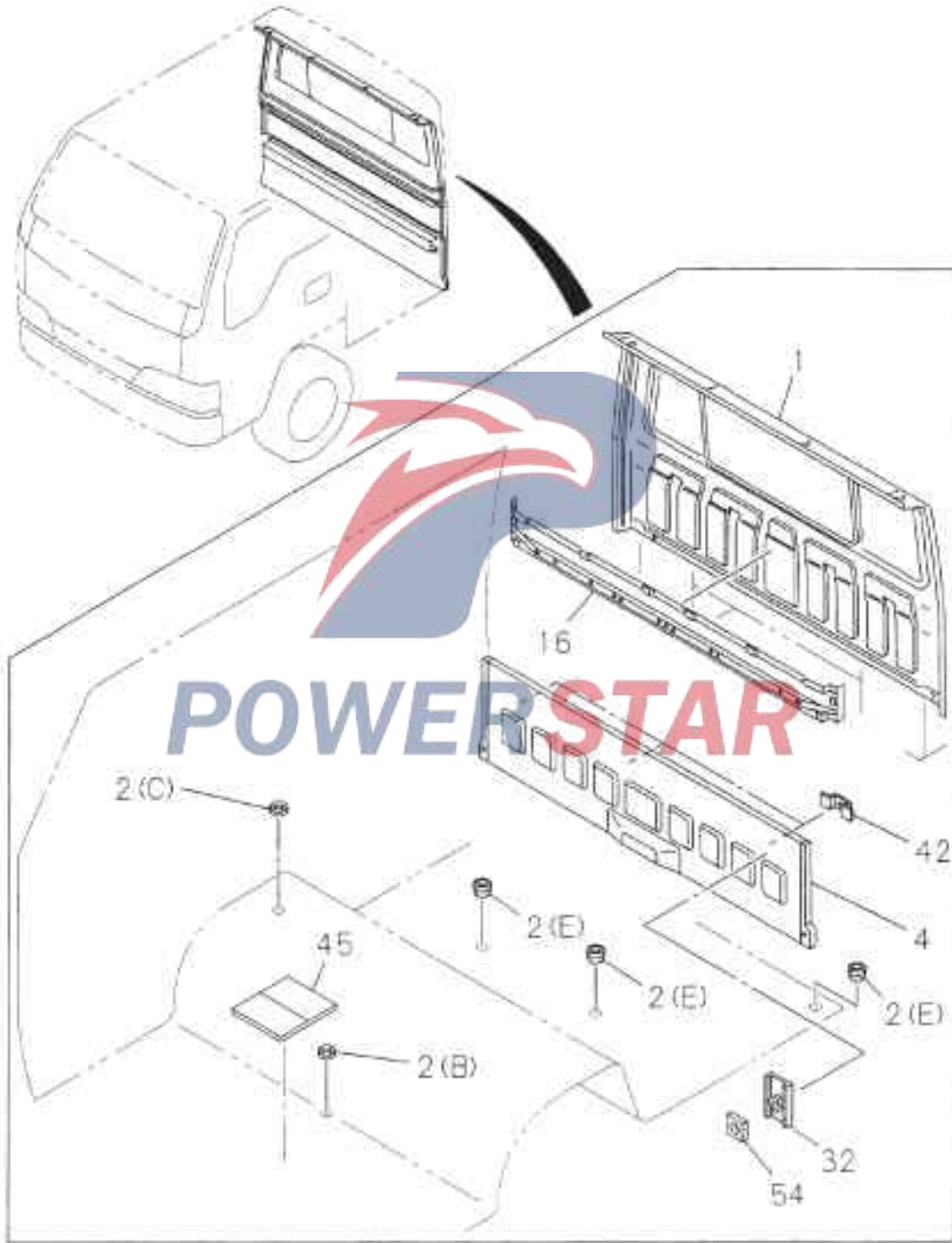


P-507

6-80

# Rear wall plate Crew cab

Figure No.



P-508

# Rear wall plate

6-80

Figure No.

S/N	Recommended specification / name of part				
	Isuzu figure No.	QingLing figure No.	L/R	Qty.	Applicable models / applicable status / notes
					A B C D
					Wheelbase 2490mm Wheelbase 2765mm Wheelbase 3360mm Wheelbase 3815mm
1	--- Rear wall plate				
	8-97851-479-2	5601011-15		01	BCD ABC 4KH1 engine, single cab
	8-97581-015-0	5601011-801		01	BCD ABC 4JB1 engine, single cab 4KH1 engine, crew cab 4JB1 engine, crew cab
	2 --- Seal cover piece-rear door				
	1-76798-019-0	8200143-803		04	BCD ABC 4KH1 engine, single cab 4JB1 engine, single cab (A)
	5-76777-035-0			02	BCD ABC Outer diameter=25 4KH1 engine, single cab 4JB1 engine, single cab (D)
	8-94279-711-0	8200326-803		02	ABCD Outer diameter=36 Thickness = 0.05 Blocking - front floor (B)
	8-94492-493-0	8200325-803		02	ABCD Outer diameter =28.5 Blocking - front floor (C)
	8-94122-971-0	5107611-26		04	BCD ABC Outer diameter =16.2 4KH1 engine, crew cab 4JB1 engine, crew cab
	4 --- Lower rear wall plate				
	8-97580-999-0	5601012-801		01	BCD ABC Outer diameter=35 4KH1 engine, crew-cab

P-509 4JB1 engine, crew cab



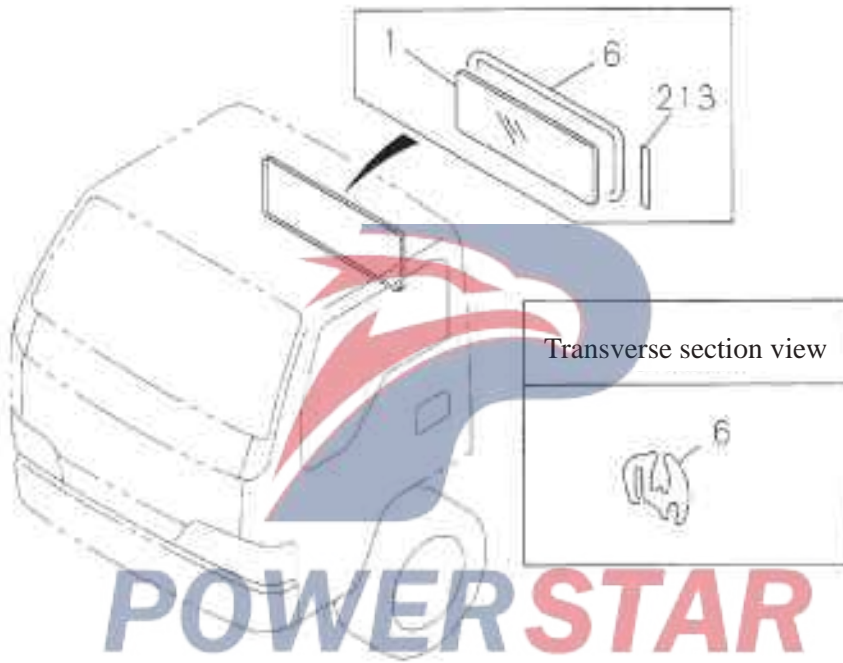
6-80		Rear wall plate			
Figure No.		Recommended specification / name of part			
S/N	Isuzu figure No.	QingLing figure No.	L/R	Qty.	Applicable models / applicable status / notes
					A B C D
16	--- Reinforcing plate - Rear wall plate 8-97867-215-0	5601013-10		01	ABCD
32	--- Reinforcing plate- lower rear wall plate 8-97851-300-1	5601014-10		01	BCD ABC 4KH1 engine, only for crew cab 4JB1 engine, only for crew cab
42	--- Bracket assembly- rubber insulation mat 8-94265-170-1	5601020-10		03	BCD ABC 4KH1 engine, only for crew cab 4JB1 engine, only for crew cab
45	--- Pitch prill gasket 8-94262-093-0			02	BCD ABC 4KH1 engine, only for crew cab 4JB1 engine, only for crew cab 100 × 100 thickness =1.5
54	--- Welded nu 1-61281-444-0			01	BCD ABC 4KH1 engine, only for crew cab 4JB1 engine, only for crew cab 30 × 30 Inside diameter = 9 thickness = 0.7



# Rear window and sealing rubber strip Single cab

6-82

Figure No.



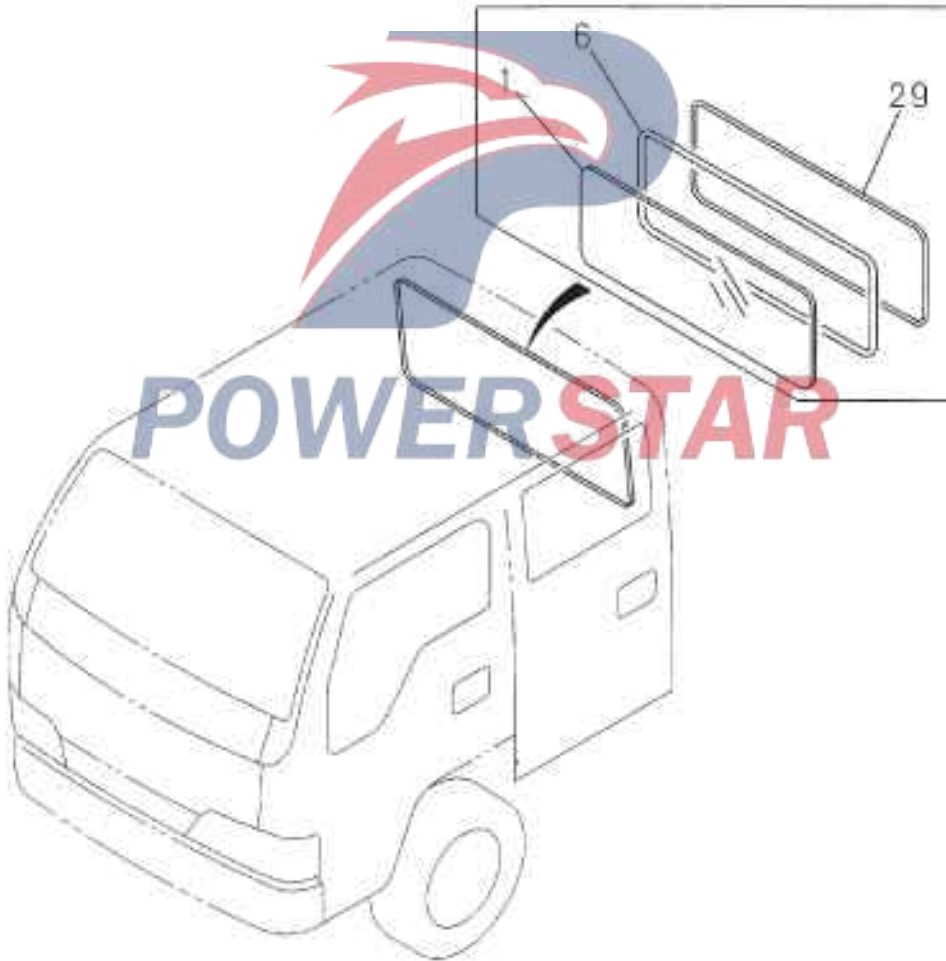
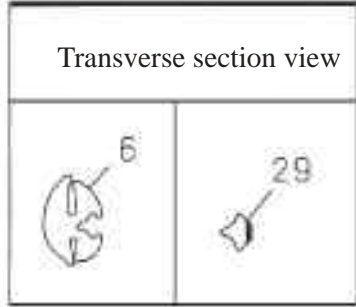
P-511

6-82

Rear window and sealing rubber strip

Figure No.

Crew cab



# Rear window and sealing rubber strip

6-82

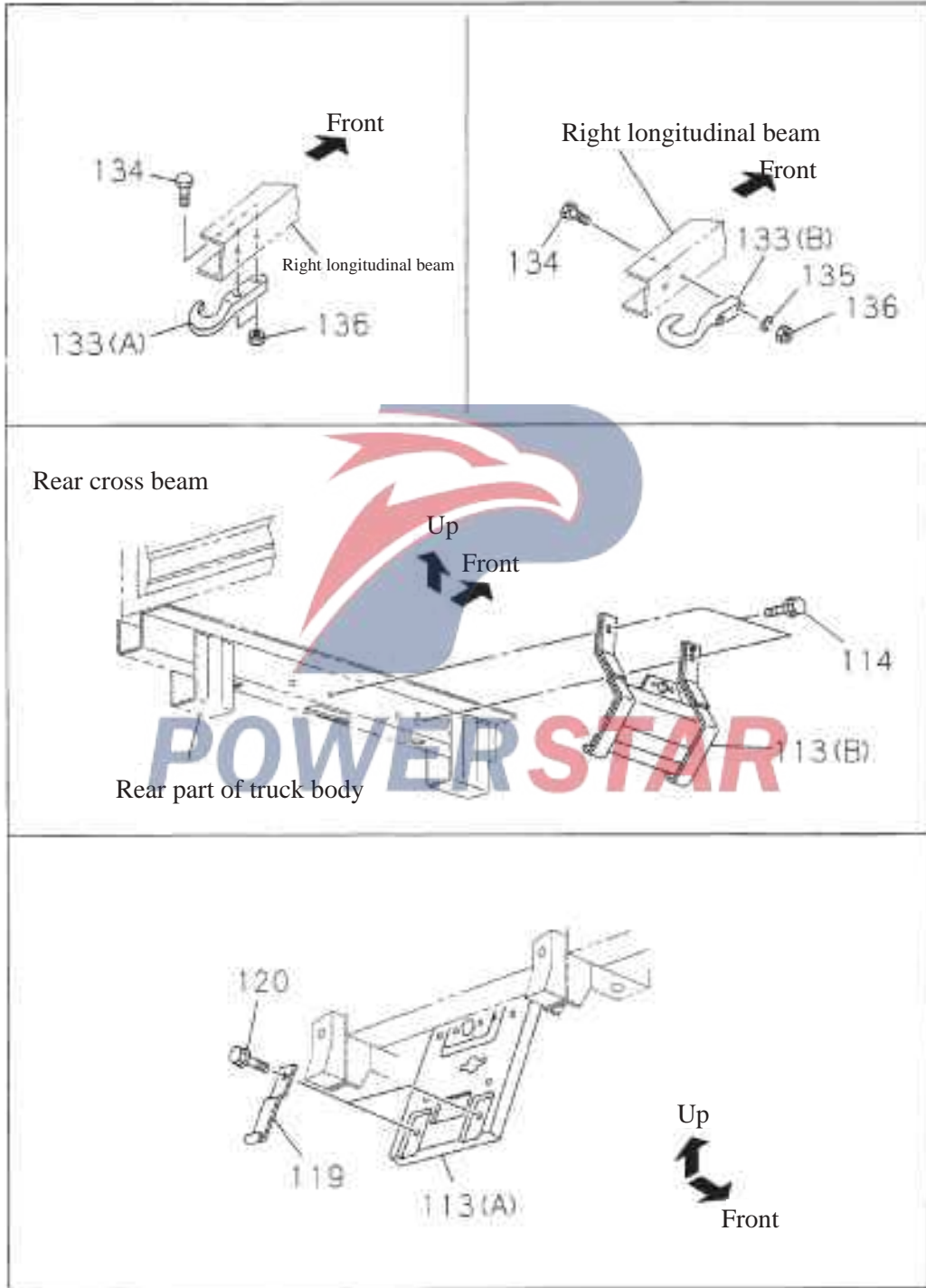
Figure No.

S/N	Recommended specification / name of part				
	Isuzu figure No.	QingLing figure No.	L/R	Qty.	Applicable models / applicable status / notes
					A B C D
1	--- Rear window				
	8-97867-435-0	5603011-10		01	BCD 4KH1 engine, crew cab
					ABC 4JB1 engine, crew cab
	8-97867-425-0	5603011-15		01	BCD 4KH1 engine, single cab
				ABC 4JB1 engine, single cab	
6	--- Sealing joint strip- rear wall glass				
	8-97853-388-2	5603111-15		01	BCD 4KH1 engine, single cab
					ABC 4JB1 engine, single cab
	8-97853-838-1	5603102-10		01	BCD 4KH1 engine, crew cab
				ABC 4JB1 engine, crew cab	
29	--- Rubber insertion strip- rear wall glass				
	8-97853-839-1	5603102-10		01	BCD 4KH1 engine, crew cab
				ABC 4JB1 engine, crew cab	
213	--- Sealing fin- rear wall glass				
	8-97857-420-1	6201424-803		01	BCD 4KH1 engine, single cab
				ABC 4JB1 engine, single cab	

6-90

# Rear Bumper

Figure No.



# Rear Bumper

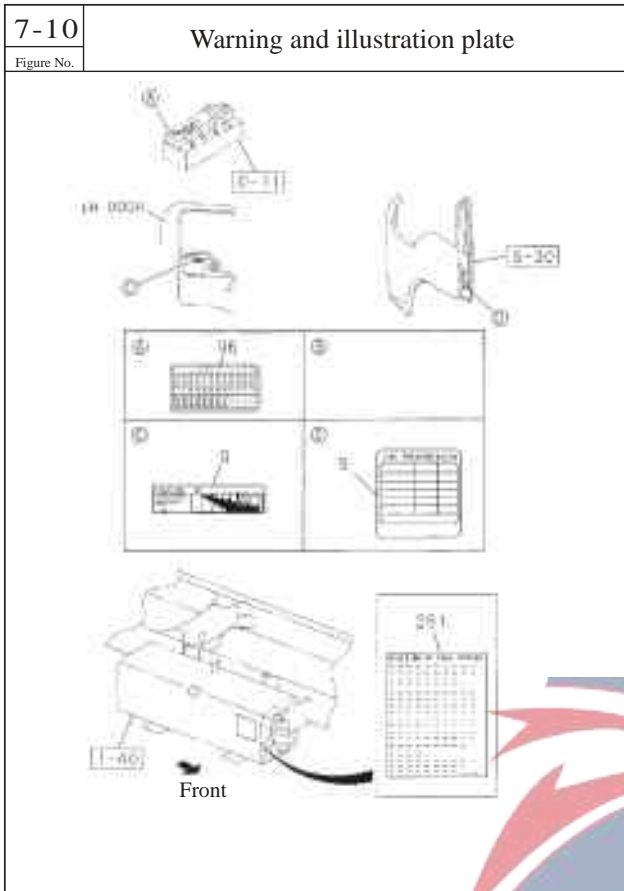
6-90

Figure No.

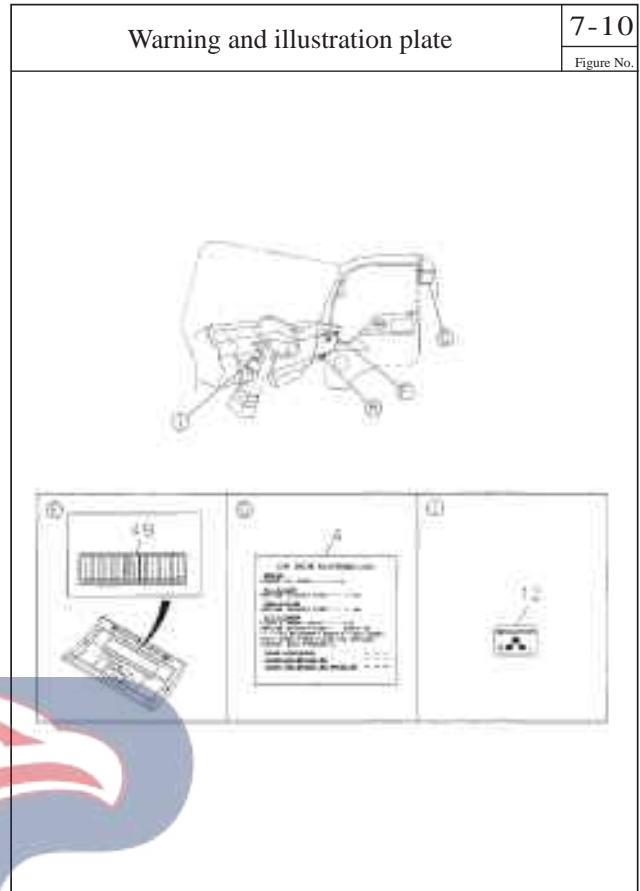
S/N	Recommended specification / name of part				
	Isuzu figure No.	QingLing figure No.	L/R	Qty.	Applicable models / applicable status / notes
					A B C D
					Wheelbase 490mm Wheelbase 2765mm Wheelbase 3360mm Wheelbase 3815mm
113	--- Rear license plate bracket assembly				
	8-97077-573-2	8500710-16A		01	A B C D (B)
114	--- Flange bolt- rear license plate bracket assembly				
	0-28680-625-0	Q1840625		02	A B C D M6×25
119	--- Hanger- rear license plate bracket				
	8-97069-728-0			02	A B C D
120	--- Bolt - hanger				
	8-97069-572-0			02	A B C D
133	--- Rear towing hook				
	8-94183-262-0	2806012-10		01	A Only for 4JB1 engine
	8-94249-270-2	2806011-10		01	B C D (A) 4KH1 engine
134	--- Assembling bolt- rear towing hook and carframe				
	0-50041-045-0	Q1421045		02	A 4JB1 engine
	0-10806-450-0	Q151B1450		02	A B C D Only for 4JB1 engine M10×45 M14×50

6-90		Rear Bumper				
Figure No.		Recommended specification / name of part				
S/N	Isuzu figure No.	QingLing figure No.	L/R	Qty.	Applicable models / applicable status / notes	
					A	Wheelbase 2490mm
					B	Wheelbase 2765mm
					C	Wheelbase 3360mm
					D	Wheelbase 3815mm
135	--- Heavy spring washer- rear towing hook and carframe					
	9-09150-814-0	Q40514		02	ABCD	
136	--- Nut- rear towing hook and carframe					Inside diameter =14
	9-09110-510-0	Q341C 10T		02	ABC	
	9-99110-514-0	Q341B14T 13		02	BCD	4JB1 engine
					BC	M10
						4KH1 engine
						4JB1 engine
						M14

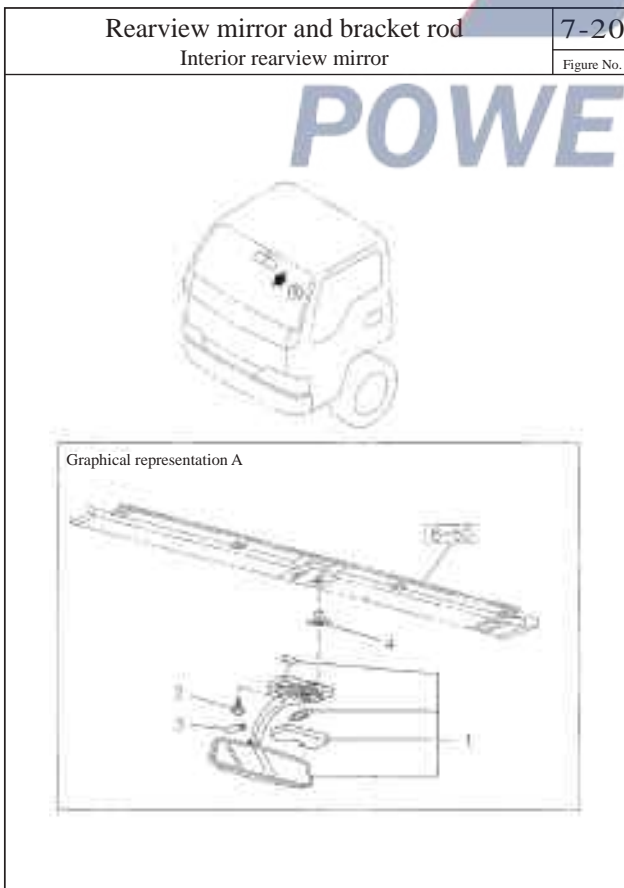
### Catalogue of 4KH1 - TC engine



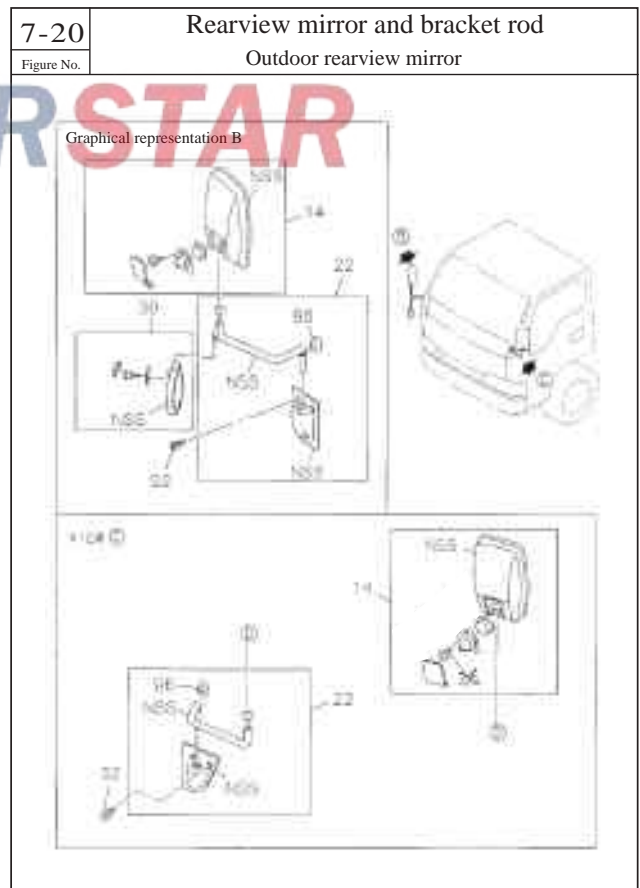
P- 520



P- 521



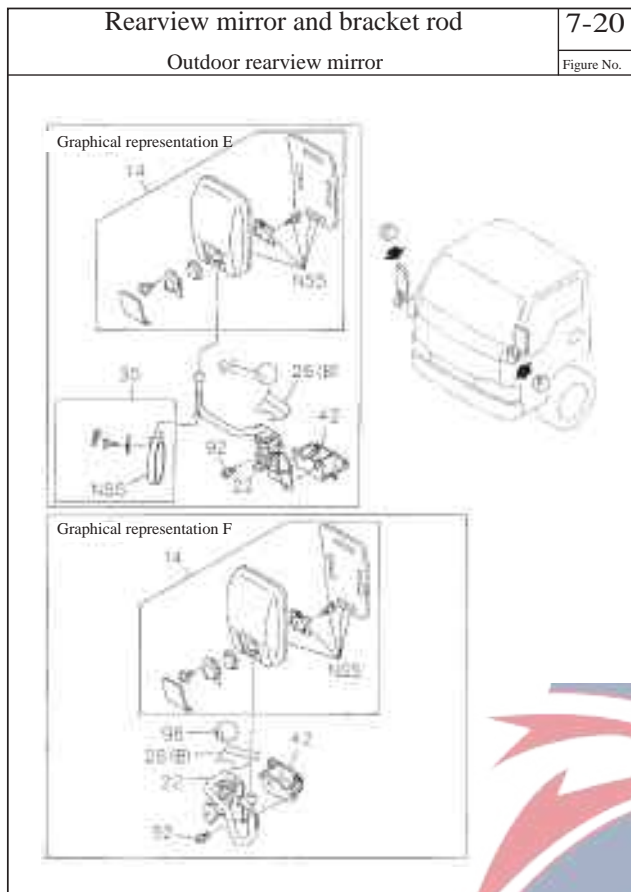
P- 523



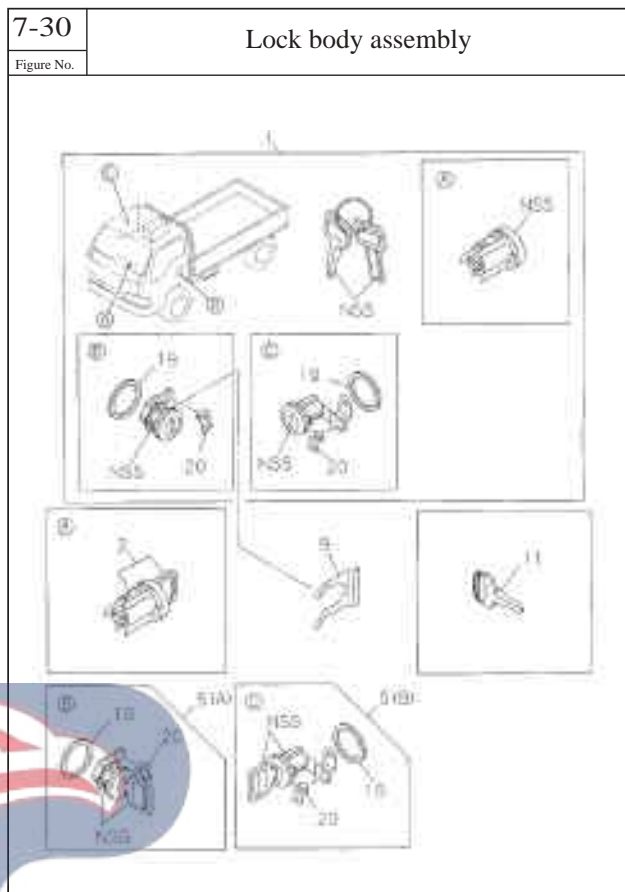
P- 524



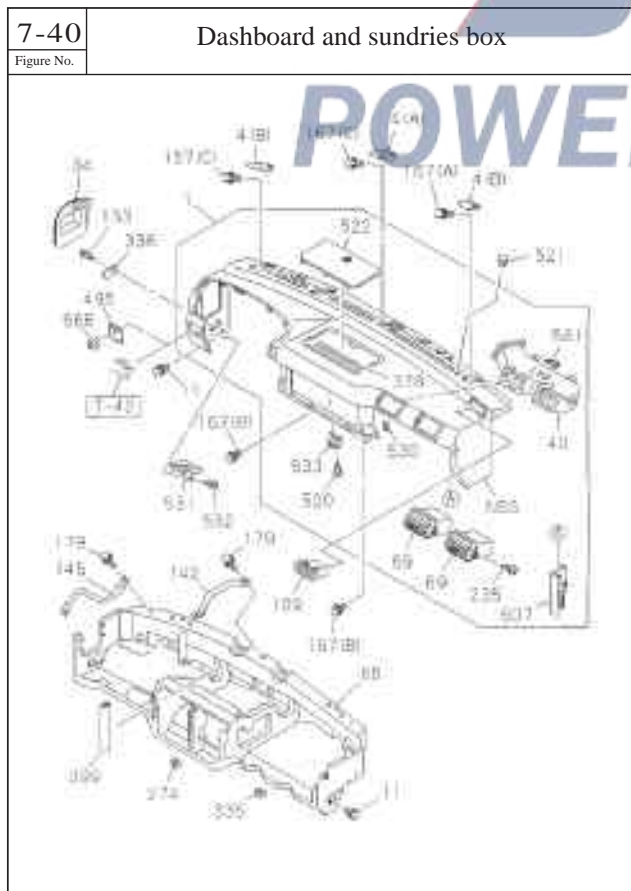
## Catalogue of 4KH1-TC engine



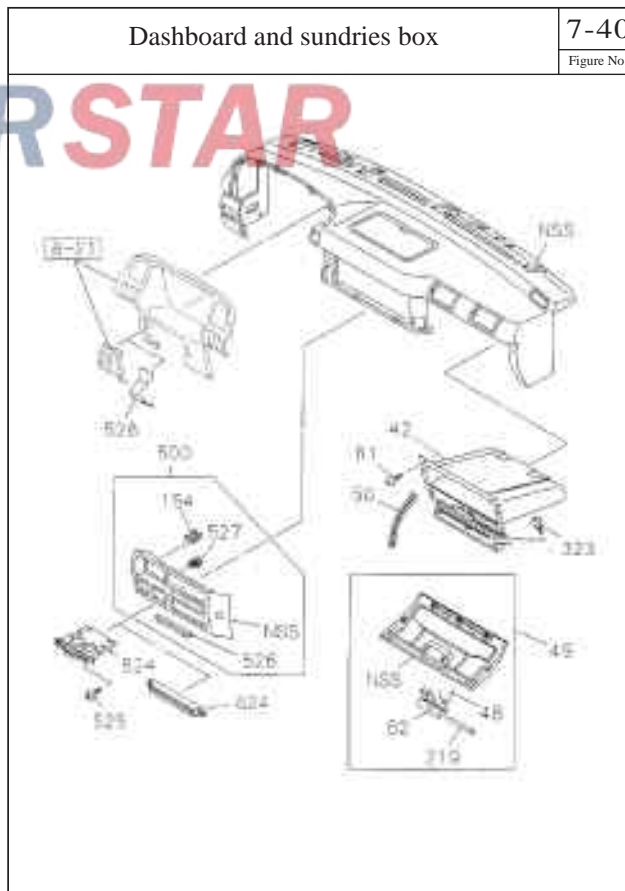
P- 525



P- 528

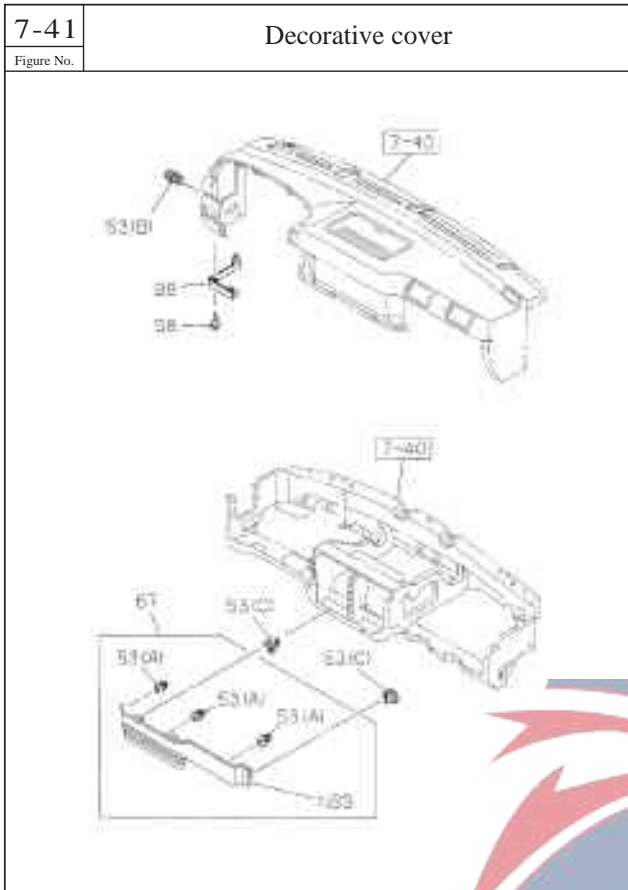


P- 530

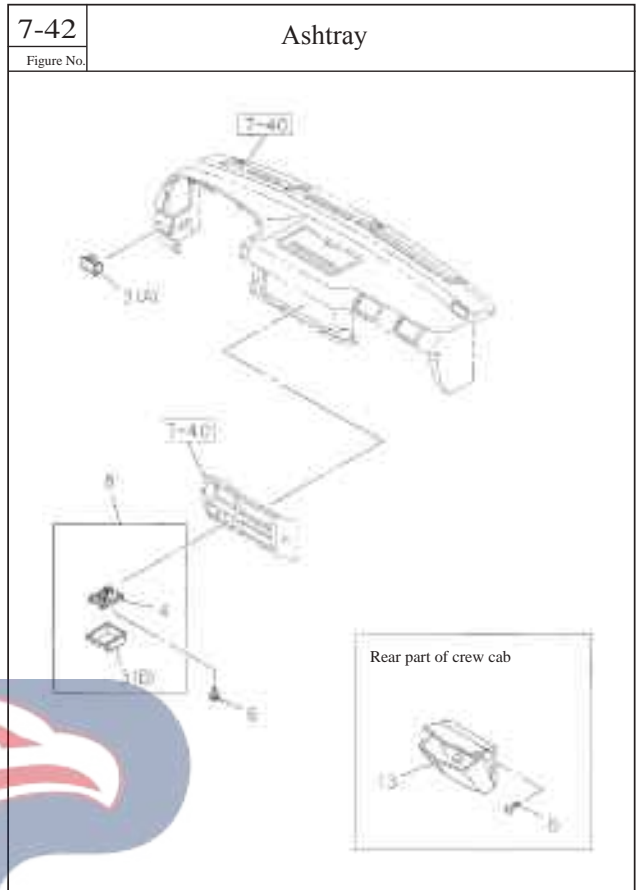


P- 531

## Catalogue of 4KH1-TC engine



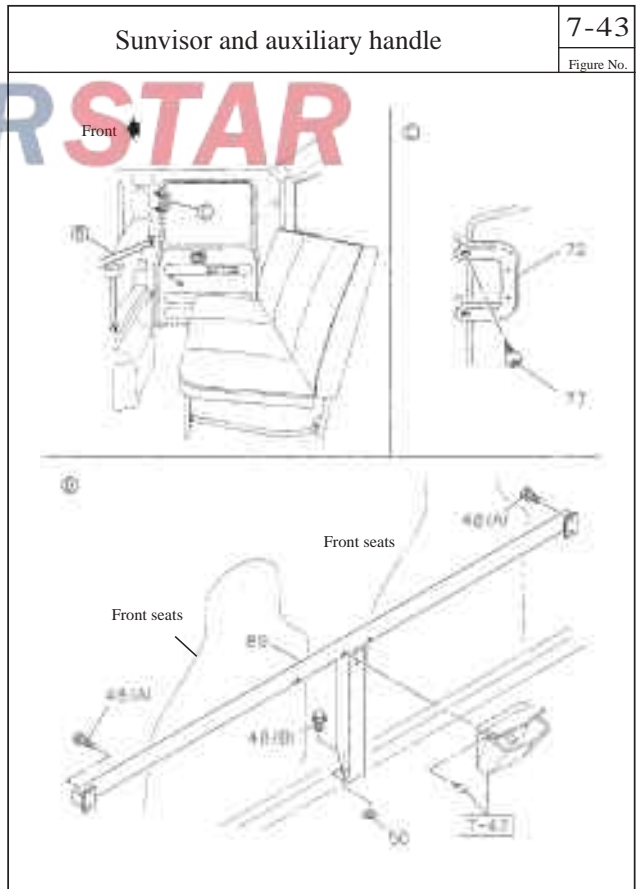
P- 538



P- 540

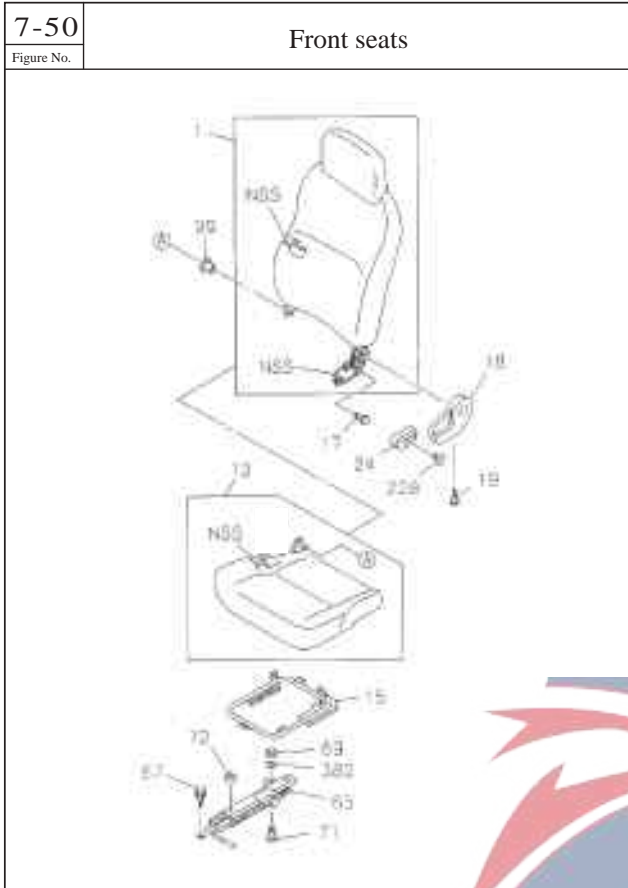


P- 542

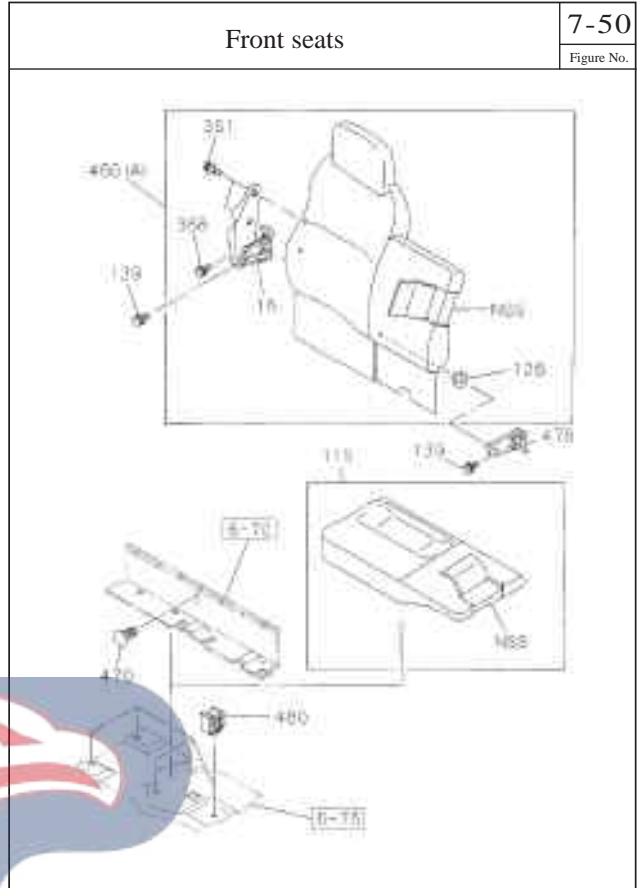


P- 543

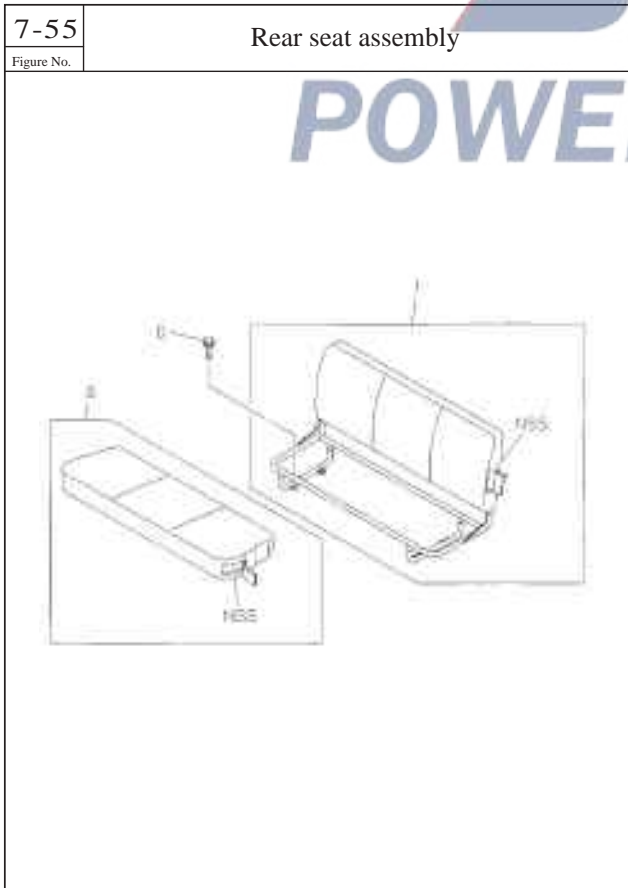
Catalogue of 4KH1-TC engine



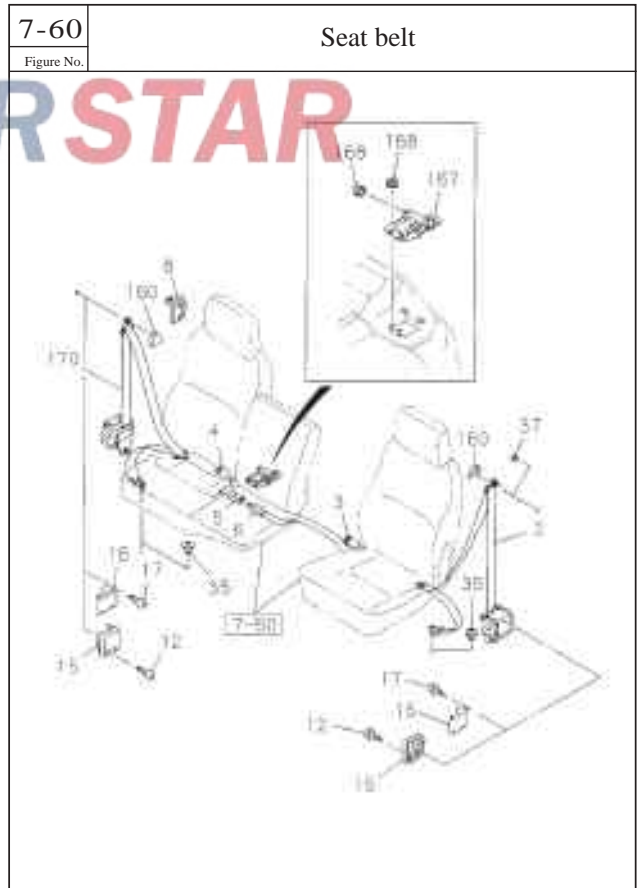
P- 546



P- 549



P- 552



P- 554



7-01

Label and illustration plate

Figure No.



A	<p>Isuzu 74</p> <p>ISUZU 9</p>	B	<p>NKR 135 (A)</p> <p>TURBO 135 (B)</p>
C	<p>QingLing Motors Co., Ltd. 360</p>	D	<p>3.0 TURBO ELECTRO DI 353</p> <p>Z.B TURBO DI 359</p>
E	<p>ISUZU 123</p>		

Label and illustration plate

7-01

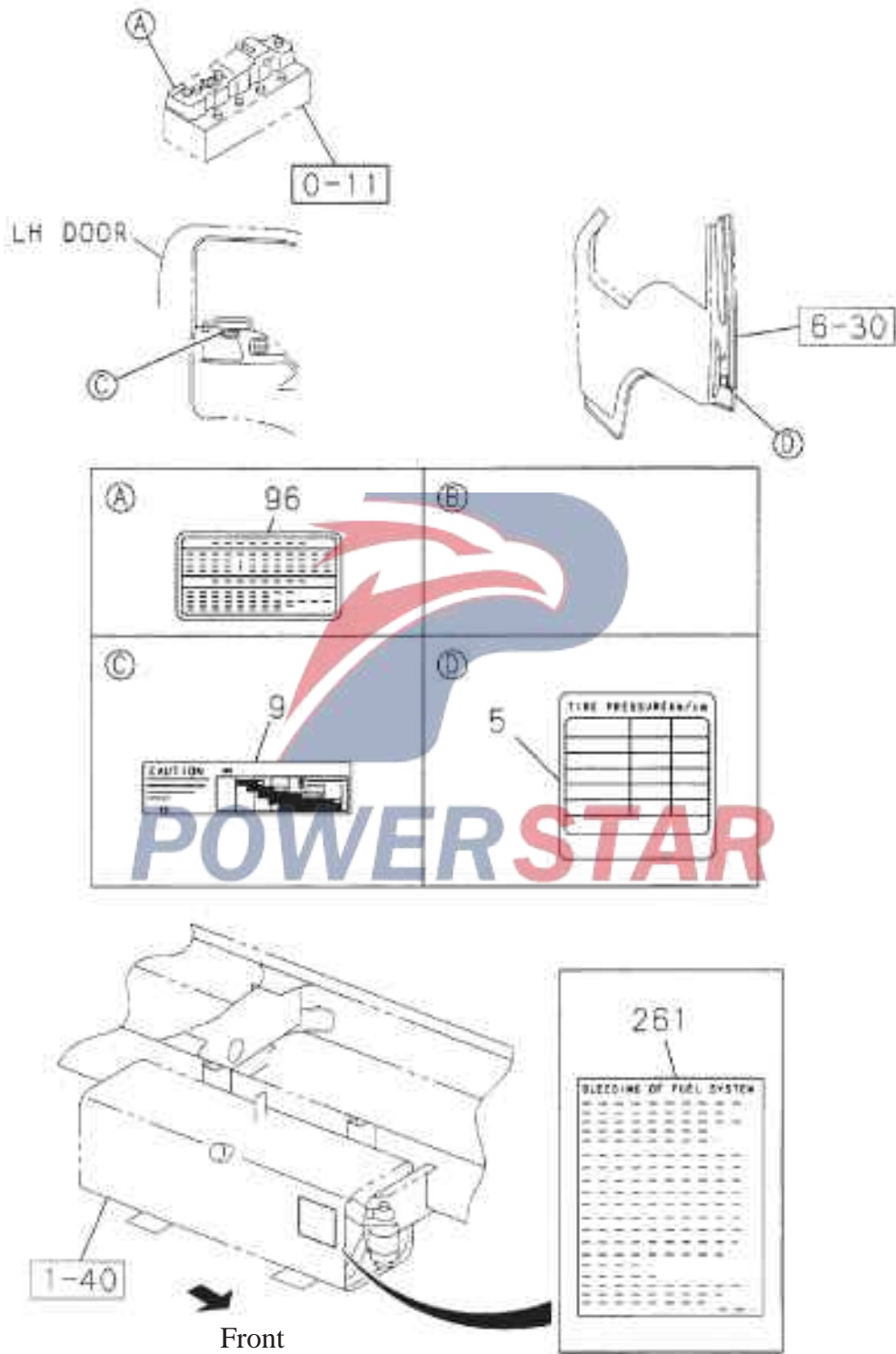
Figure No.

S/N	Recommended specification / name of part				
	Isuzu figure No.	QingLing figure No.	Left/Right	Qty.	Applicable models / applicable status / notes
					A B C D
9	--- "ISUZU" label				
	8-97868-200-1	3903315-802		01	ABC 4JB1 engine
		3903315-861		01	BCD 4KH1 engine
74	--- "ISUZU" label				
	8-97585-446-1	3903221-850B		01	BCD 4KH1 engine
	8-97869-094-1			01	ABC 4JB1 engine
123	--- "ISUZU" label on container				
	8-97089-829-0			01	ABCD
135	--- "NKR" label-front wall				
	8-97868-260-0	3903011-802		01	ABC 4JB1 engine, except the vehicle model with payload of less than 1.5T (A)
		3903011-804		01	A "NHR" sign-front wall 4JB1 engine nly applies to the vehicle model with payload of less than 1.5T (A)
	8-97857-435-1	3903330-802B		01	ABC "TURBO" sign, 4JB1 engine (boosted) (B)
353	--- "3.0" label				
	8-97899-159-0	3903214-850B		02	BCD 4KB1 engine
359	--- "2.8" sign-pasted on front door				
	8-97995-794-1	3903120-10		01	ABCD 4JB1 engine
360	--- "QingLing" label- pasted on the back of the container				
		3903120-10		01	ABCD

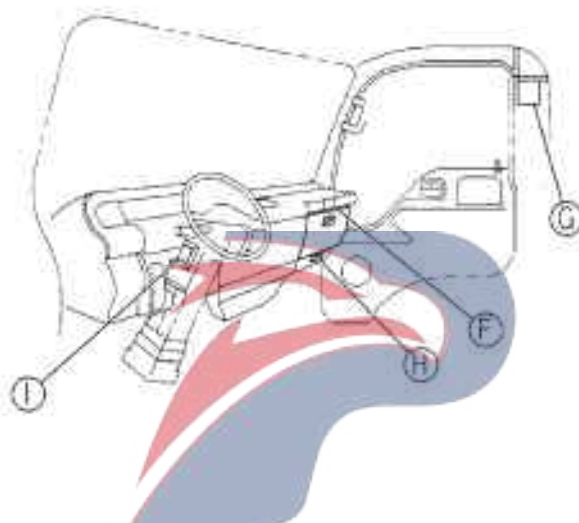
7-10

Warning and illustration plate

Figure No.







POWERSTAR

<p style="text-align: center;">E</p> <div style="text-align: center;"> <p>49</p> </div>	<p style="text-align: center;">G</p> <div style="text-align: center;"> <p>INFO. ENGINE MAINTENANCE DATA</p> <p><b>ENGINE</b></p> <p>CHANGE OIL EVERY ---</p> <p><b>ALL FILTERS</b></p> <p>REPLACE ELEMENT EVERY ---</p> <p><b>WATER FILTER</b></p> <p>REPLACE ELEMENT EVERY ---</p> <p><b>ALL FLUIDS</b></p> <p>CLEAN ELEMENT EVERY ---</p> <p>REPLACE ELEMENT EVERY ---</p> <p>--- MONTHS OR</p> <p>--- HOURS WHICHEVER OCCURS FIRST UNDER</p> <p>HEAVY CONDITIONS CLEAN AND REPLACE</p> <p>ELEMENT MORE FREQUENTLY</p> <p><b>WAXE LUBRICANTS</b> ---</p> <p><b>INJECTION OILS</b> ---</p> <p><b>INJECTION OPERATING PRESSURE</b> ---</p> </div>	<p style="text-align: center;">I</p> <div style="text-align: center;"> <p>12</p> </div>
---	---	---

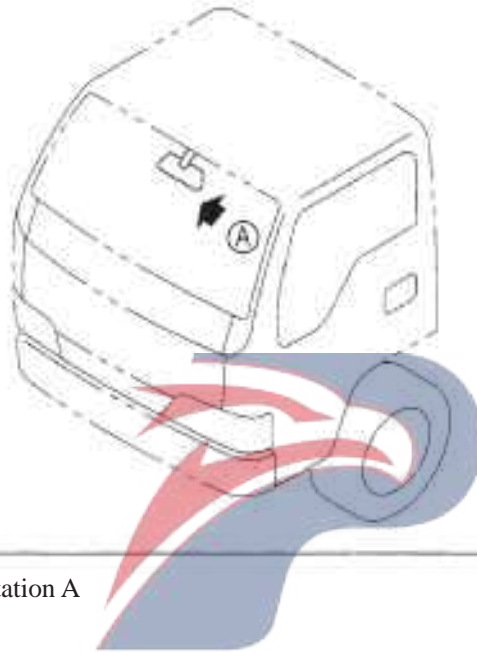
7-10		Warning and illustration plate				
Figure No.		Recommended specification / name of part				
S/N	Isuzu figure No.	QingLing figure No.	Left/Right	Qty.	Applicable models / applicable status / notes	
					A	Wheelbase 2490mm
					B	Wheelbase 2765mm
					C	Wheelbase 3360mm
					D	Wheelbase 3815mm
4	--- Warning board-engine					
	8-97231-256-0	3903118-802		01	ABC	4JB1 engine
	8-97260-427-1	3903118-861		01	BCD	4KH1 engine
5	--- Tire pressure label					
	8-94178-979-0	3903052-10		01	ABC	4JB1 engine
		8903052-861B		01	BCD	4KH1 engine
9	--- “Range of gear shift position” label					
	8-94158-936-0	3903151-10		01	ABCD	
12	--- Steering instruction plate					
	8-94273-445-0	3903203-10		01	ABCD	
49	--- Fuse box instruction plate					
	8-97182-190-0	3903162-802		01	ABC	4JB1 engine
	8-97260-561-0	3903162-850		01	BCD	4KH1 engine
96	--- Warning board					
	8-97092-930-1			01	BCD	4KH1 engine
	8-97066-497-1			01	ABC	4JB1 engine
261	--- Warning board- fuel tank					
	8-97315-725-0			01	BCD	4KH1 engine

Rearview mirror and bracket rod

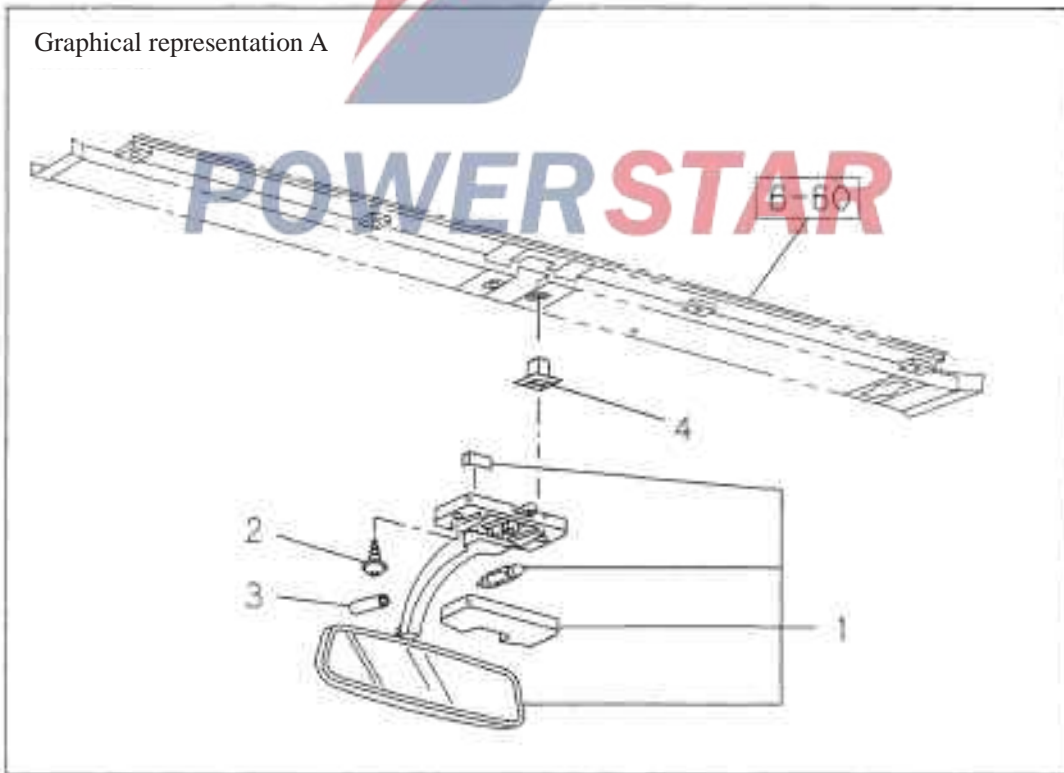
Interior rearview mirror

7-20

Figure No.



Graphical representation A

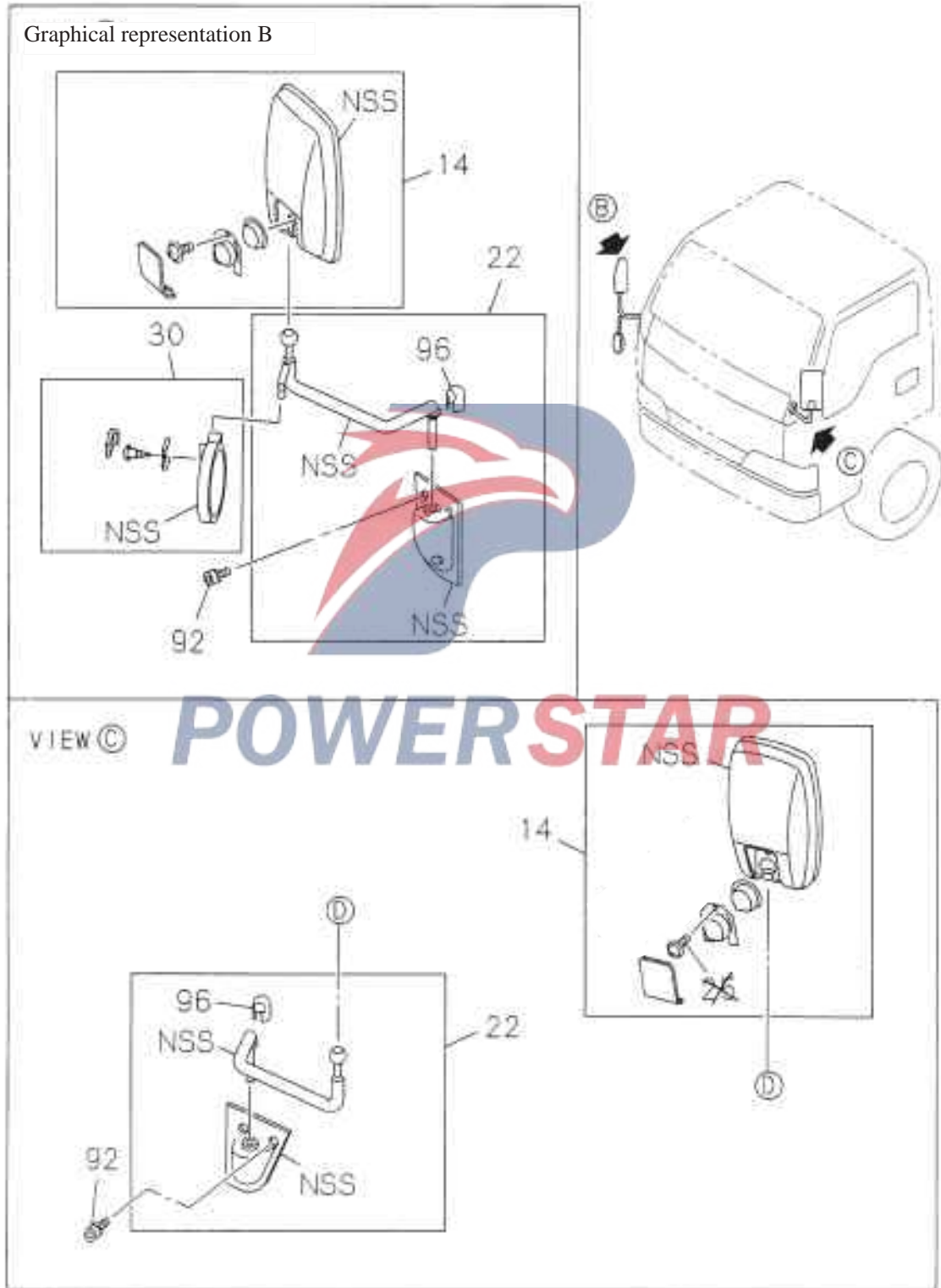


7-20

# Rearview mirror and bracket rod

Figure No.

Outdoor rearview mirror

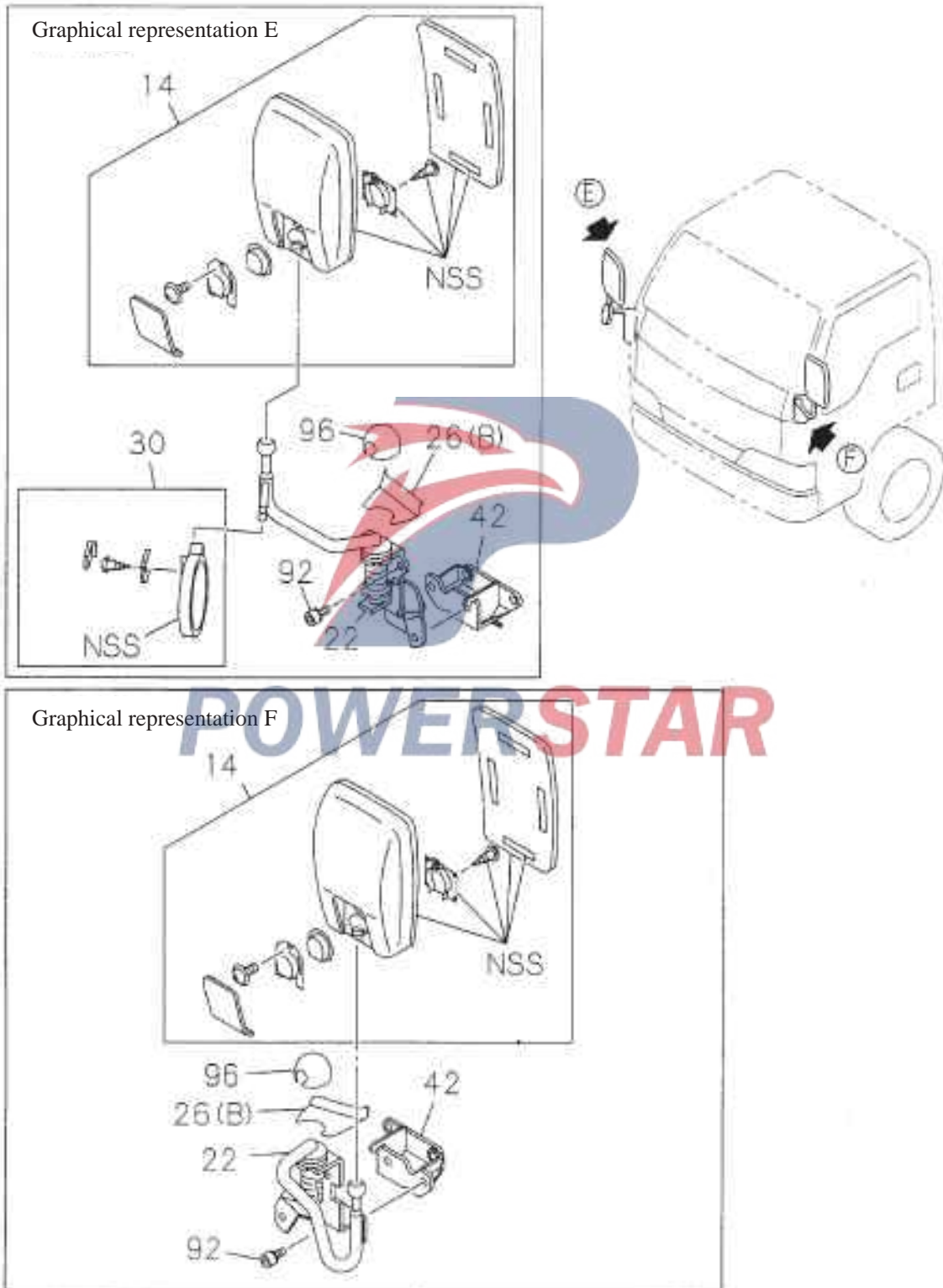


# Rearview mirror and bracket rod

Outdoor rearview mirror

7-20

Figure No.



7-20		Rearview mirror and bracket rod					
Figure No.							
S/N	Recommended specification / name of part						
	Isuzu figure No.	QingLing figure No.	Left/Right	Qty.	Applicable models / applicable status / notes		
					A	Wheelbase 2490mm	
					B	Wheelbase 2765mm	
					C	Wheelbase 3360mm	
					D	Wheelbase 3815mm	
1	--- Indoor rear view mirror assembly						
	8-97868-348-2	8201010-10		01	ABCD		
2	--- Bolt-indoor rear view mirror						
	5-09981-059-0	8204121-803		02	ABCD		
3	--- Buffer hose- indoor rear view mirror						
	8-97857-352-1	8204032-803		01	ABCD	M5× 20 Length = 22	
4	--- Washer nut - indoor rear view mirror						
	8-94279-039-0			01	ABCD		
14	--- Rear view mirror assembly						
	8975827340	8202040-15	Right	01	BC	4JB1 engine	
	8975827350	8202040-10	Right	01	A	4JB1 engine	
	8975827360	8202030-10	Left	01	ABC	4JB1 engine	
	8-97582-982-1	8202050-861	Left	01	BCD	4KH1 engine	
		8202040-761	Right	01	D	4KH1 engine, only for widebody vehicle model with wheelbase of 3815	
		8202040-861	Right	01	BCD	Except widebody vehicle models with 4KH1 engine, wheelbase of 3815	
22	--- Bracket assembly						
		8202110-761/C	Left	01	D	4KH1 engine, only for widebody vehicle model with wheelbase of 3815	
		8202110-861	Left	01	BCD	Except widebody vehicle models with 4KH1 engine, wheelbase of 3815	
		8202120-761/C	Right	01	D	4KH1 engine, only for widebody vehicle model with wheelbase of 3815	
		8202120-861	Right	01	BCD	Except widebody vehicle models with 4KH1 engine, wheelbase of 3815	

## Rearview mirror and bracket rod

# 7-20

Figure No.

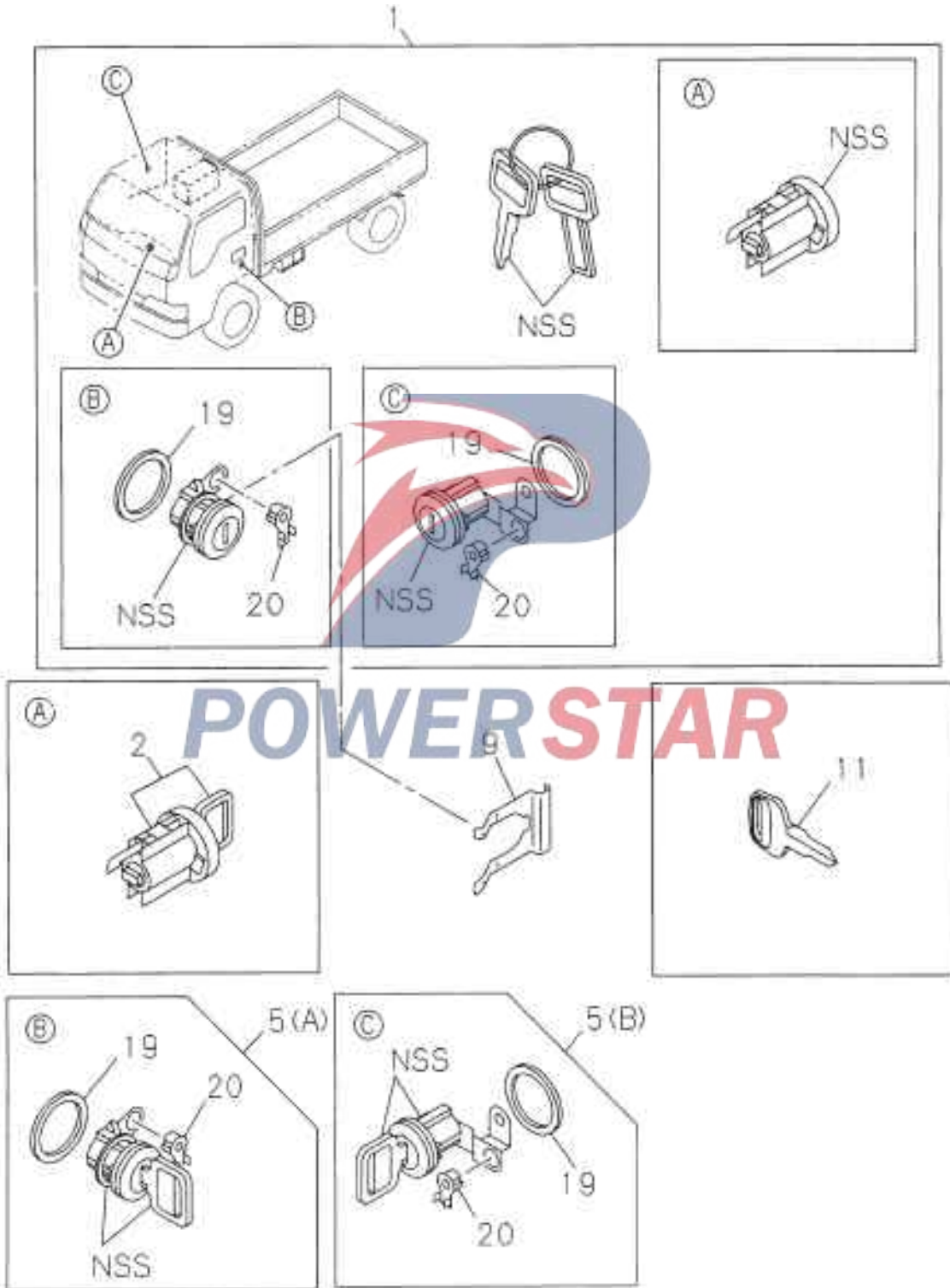
S/N	Recommended specification / name of part					
	Isuzu figure No.	QingLing figure No.	Left/Right	Qty.	Applicable models / applicable status / notes	
					A	Notes
					B	Wheelbase 2490mm
				C	Wheelbase 2765mm	
				D	Wheelbase 3360mm	
				D	Wheelbase 3815mm	
30	--- Lower view mirror assembly					
		8202180-850	Right	01	BCD	4KH1 engine chrome plated
		8202180-861	Right	01	BCD	4KH1 engine black
42	--- Bracket assembly					
	8-97581-628-2	8202410-861	Right	01	BCD	Except widebody vehicle models with 4KH1 engine
		8202410-761/C	Right	01	D	4KH1 engine, only for widebody vehicle model
	8-97581-755-2	8202310-861	Left	01	BCD	Except widebody vehicle models with 4KH1 engine
		8202410-761/C	Left	01	D	4KH1 engine, only for widebody vehicle model
92	--- Bolt -rear view mirror					
	8-94279-183-2	8204122-803		06	ABCD	M8×30
96	--- Overspreading-rear view mirror					
	8-97581-631-2	8202031-861		02	BCD	4KH1 engine



7-30

Lock body assembly

Figure No.

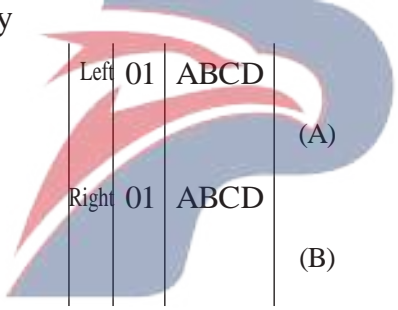


# Lock body assembly

# 7-30

Figure No.

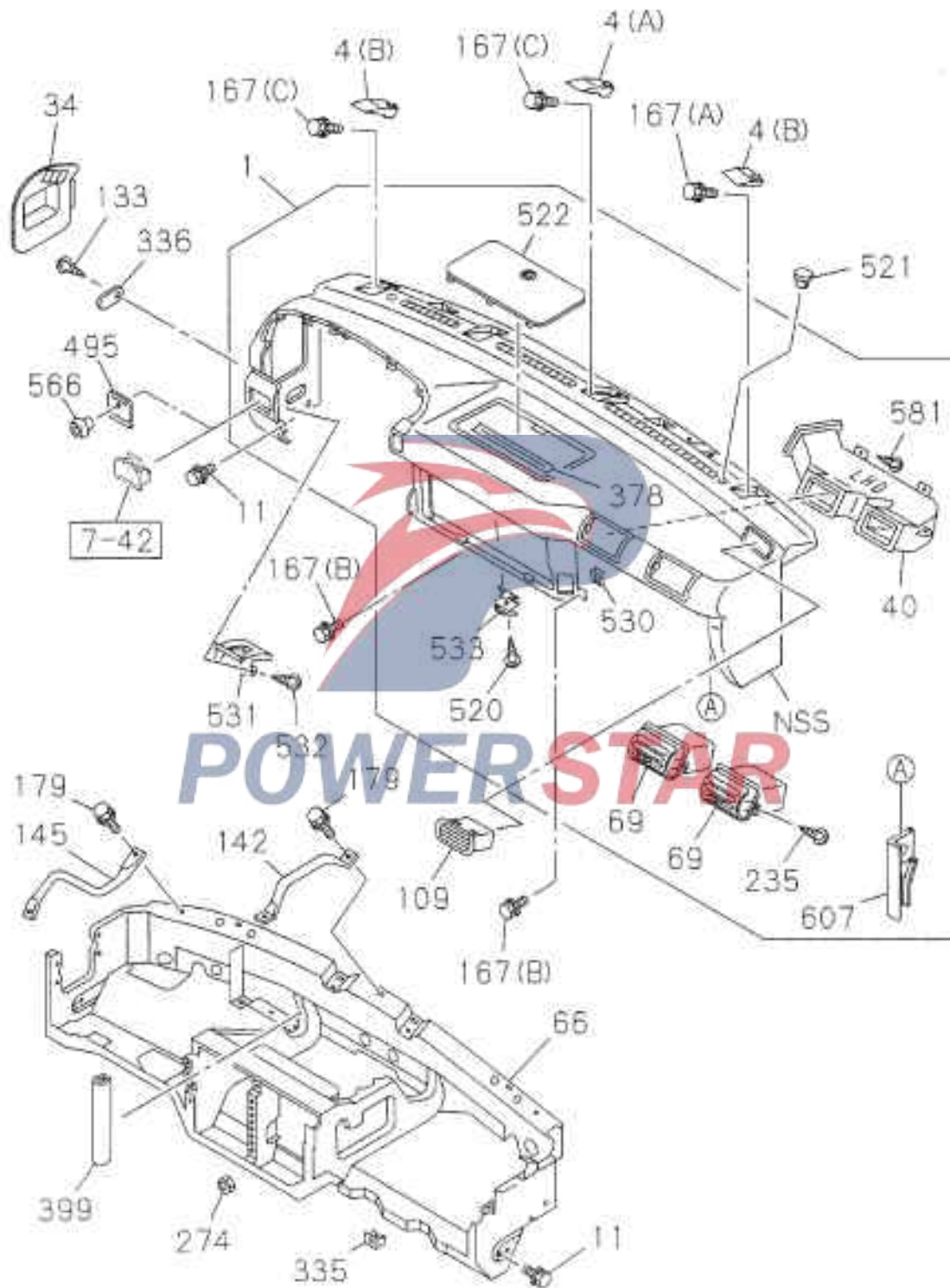
S/N	Recommended specification / name of part				
	Isuzu figure No.	QingLing figure No.	Left/Right	Qty.	Applicable models / applicable status / notes
					A
					Wheelbase 2490mm
					Wheelbase 2765mm
					Wheelbase 3360mm
					Wheelbase 3815mm
1	--- Lock assembly (with key)				
	8-97035-293-1			01	ABCD
2	--- Lock assembly- electric box				
	8-97095-682-2			01	ABCD
5	--- Door lock assembly				
	8-97095-685-2		Left	01	ABCD
	8-97095-684-2		Right	01	ABCD
9	--- Spring clamping piece- locking piece				
	8-97898-277-0			02	ABCD
11	--- Key (workblank)				
	8-97076-337-0			As required	ABCD
19	--- Retainer ring- door lock				
	8-94128-739-0			02	ABCD
20	--- Fastener- door lock				
	8-97040-452-0			01	ABCD
	8-97040-453-0			01	ABCD

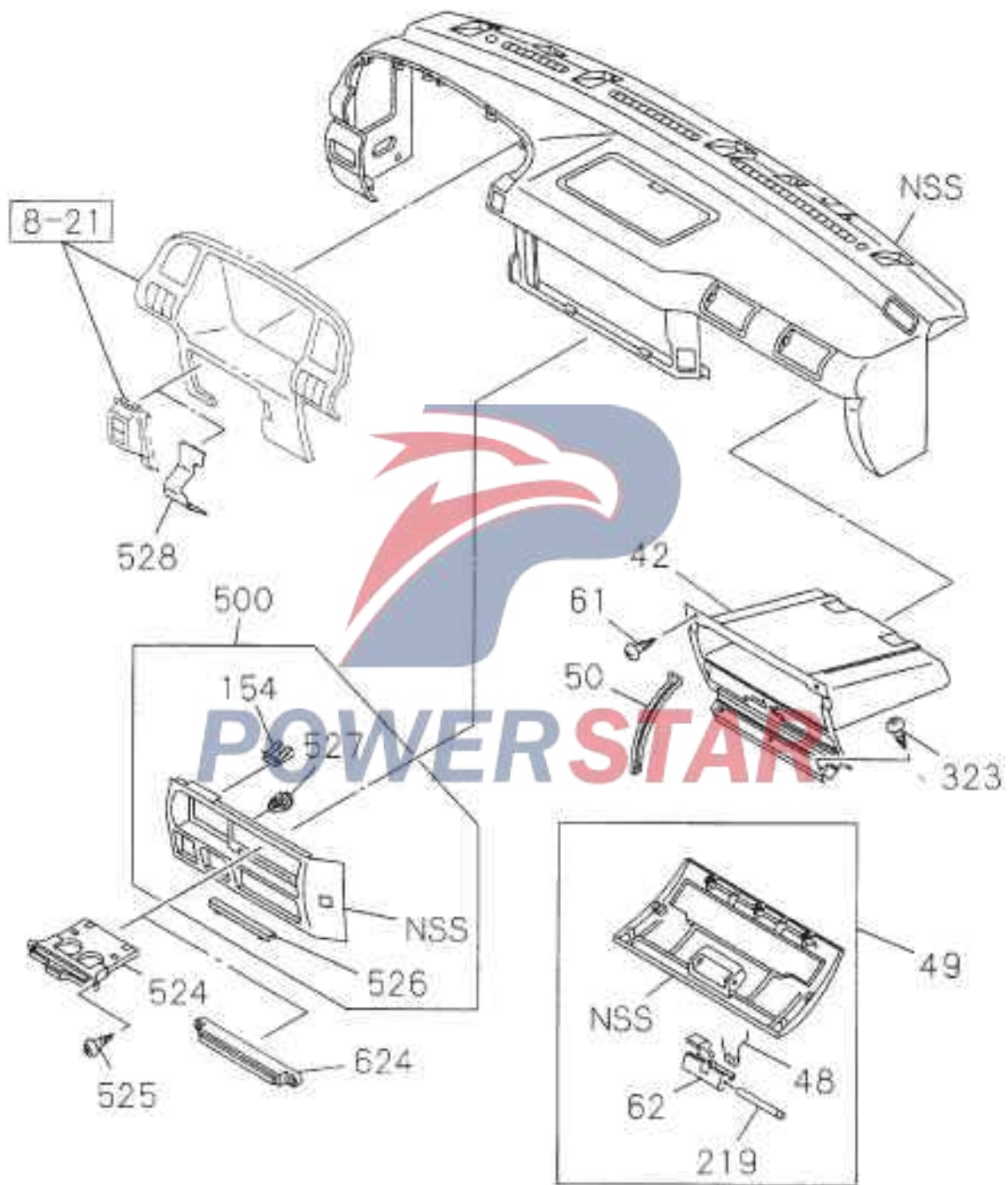


7-40

Dashboard and sundries box

Figure No.





7-40		Dashboard and sundries box				
Figure No.						
S/N	Recommended specification / name of part					
	Isuzu figure No.	QingLing figure No.	Left/Right	Qty.	Applicable models / applicable status / notes	
A					Notes	
1	--- Instrument panel assembly					
	8978686584	3801440-10		01	ABCD	
4	--- Cover plate- instrument panel					
	8-97857-523-3	8203032-803		02	ABCD	Front middle (A)
	8-97857-525-3	8203033-803	Left	01	ABCD	(B)
	8-97857-524-3	8203043-803	Right	01	ABCD	(B)
11	--- Flange bolt- instrument panel					
	8-97264-766-0	Q1840820		04	ABCD	M8×23
34	--- Braking tank cover assembly					
	8-97857-499-5	3500020-803		01	ABCD	
40	--- Vent pipe- instrument panel					
	8-97262-698-0	8101221-803		01	ABCD	
42	--- Glove box					
	8-97853-150-5	3801211-10		01	ABCD	
48	--- Spring- glove box cover					
	8-97853-750-1			01	ABCD	

Dashboard and sundries box

7-40

Figure No.

S/N	Recommended specification / name of part					
	Isuzu figure No.	QingLing figure No.	Left/Right	Qty.	Applicable models / applicable status / notes	
					A	Wheelbase 2490mm
					B	Wheelbase 2765mm
C					Wheelbase 3360mm	
D	Wheelbase 3815mm					
49	--- Cover assembly- glove box					
	8-97859-798-5	3801410-10		01	ABCD	
50	--- Spring limit strip- glove box					
	8-97853-152-0	3801212-10		02	ABCD	
61	--- Bolt- glove box					
	0-74310-516-0	6205113-803		04	ABCD M5×16	
62	--- Handle- glove box					
	8-97857-498-1	820171-803		01	ABCD	
66	--- Instrument framework cover assembly (middle)					
	8-97898-464-3	3801420-10		04	ABCD	
69	--- Side grid assembly					
	8-97890-631-0	8101210-803		02	ABCD	
109	--- Side ventilating grid- instrument panel (upper right)					
	8-97857-530-0	8101223-803		01	ABCD	
133	--- Bolt-side cover plate of instrument panel					
	0-74110-520-0	8203127-803		02	ABCD M5×20	
142	--- Bracket - instrument panel (middle)					
	8-97856-196-2	8203047-803		01	ABCD	



7-40		Dashboard and sundries box				
Figure No.						
S/N	Recommended specification / name of part					
	Isuzu figure No.	QingLing figure No.	Left/Right	Qty.	Applicable models / applicable status / notes	
					A _____ Wheelbase 2490mm	
					B _____ Wheelbase 2765mm	
					C _____ Wheelbase 3360mm	
					D _____ Wheelbase 3815mm	
145	---Bracket - instrument panel (Left)					
	8-97856-197-2	8203037-803		01	ABCD	
154	--- Wedge-shaped nut					
	8-97210-973-1	2803228-803		04	ABCD	
167	---Bolt - instrument panel					
	8-94279-201-0	8203124-803		06	ABCD (B) M6×16	
	8-94279-204-0	8203125-803		02	ABCD (C) M6×25	
	8-94279-231-1	8203126-803		02	ABCD (A) M6×24	
179	---Bolt - handrail					
	8-94279-200-0	5401010-26		04	ABC 4JB1 engine, only for crew cab BCD 4KH1 engine, only for crew cab M6×12	
219	---Spindle- glove box					
	5-72547-059-1			01	ABCD	



Dashboard and sundries box

7-40

Figure No.

S/N	Recommended specification / name of part				
	Isuzu figure No.	QingLing figure No.	Left/Right	Qty.	Applicable models / applicable status / notes
					A B C D
235	--- Self-tapping screw				
	8-94279-325-0	Q2734813A		04	ABCD M5×14
274	--- Wedge-shaped nut- glove box				
	8-94279-051-0	8203129-803		02	ABCD M5
323	--- Self-tapping screw- glove box				
	8-94279-325-0	Q2734813A		03	ABCD M5×14
335	--- Pad- glove box				
	8-84279-078-0			02	ABCD Outer diameter=8×8 Length = 7.5 M5
336	--- Cover plate-side of instrument panel				
	8-97857-528-4	8203035-803		02	ABCD
378	--- Sealing pad A- relay cover				
	8-97209-399-0			01	ABCD
399	--- Insertion strip- instrument framework				
	8-94270-377-1			01	ABCD Length = 50
495	--- Decorative cover- instrument cover				
	8-97857-548-4			01	ABCD

7-40		Dashboard and sundries box				
Figure No.						
S/N	Recommended specification / name of part					
	Isuzu figure No.	QingLing figure No.	Left/Right	Qty.	Applicable models / applicable status / notes	
A					B	C
500	--- Middle cover plate of instrument panel					
	8-97868-656-7	3801421-10		01	ABCD	
520	--- Self-tapping screw					
	8-94279-325-0	Q2734813A		03	ABCD	
					M5×14	
521	--- Blanking cap- instrument panel (Left)					
	8-97857-529-2	8203128-803		01	ABCD	
522	--- Cover plate- relay box					
	8-97857-520-6	3801451-10		01	ABCD	
524	--- Cup base assembly					
	8-97853-172-8	8200160-803		01	ABCD	
525	--- Self-tapping screw-cup					
	base 8-94279-325-0			02	ABCD	
	Q2734813A				M5×14	
526	--- Staple bolt assembly- middle cover plate of instrument panel					
	8-97857-503-1	8203134-803		01	ABCD	
					M5×14	
527	---Clamping piece- middle cover plate of instrument panel					
	8-97853-169-0			04	ABCD	

Label and illustration plate

7-40

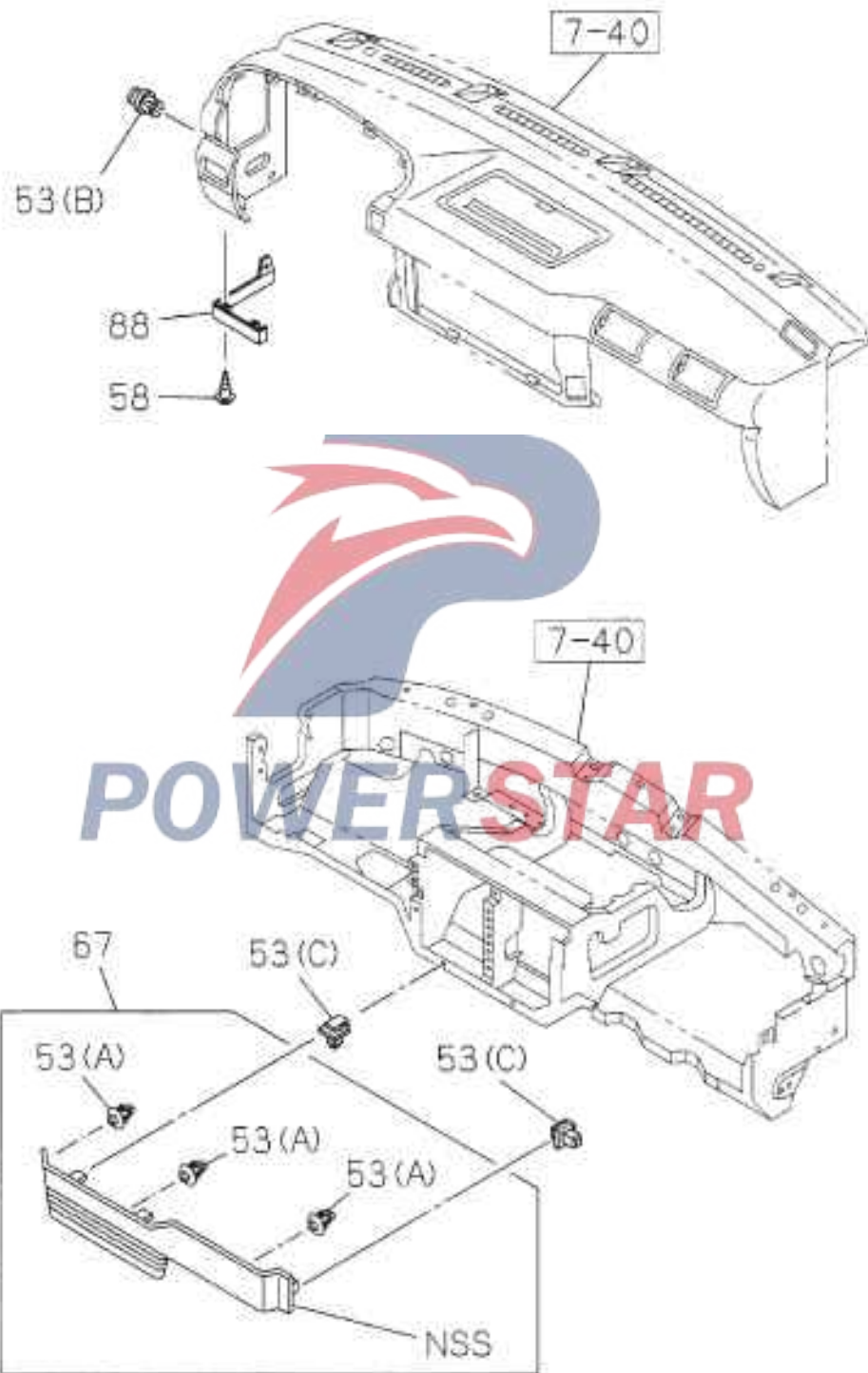
Figure No.

S/N	Recommended specification / name of part					
	Isuzu figure No.	QingLing figure No.	Left/Right	Qty.	Applicable models / applicable status / notes	
					A	Wheelbase 2490mm
					B	Wheelbase 2765mm
C					Wheelbase 3360mm	
D	Wheelbase 3815mm					
528	--- Spring cover plate- decorative cover					
	8-97868-659-0			01	ABCD	
530	--- Clamping piece- glove box					
	8-97856-135-0			01	ABCD	
531	--- Ashtray - external					
	8-97853-130-0	8203041-803		01	ABCD	
532	--- Self-tapping screw					
	8-94279-325-0	Q2734813A		02	ABCD	
					M5×14	
533	--- Spring clamping piece- middle of instrument					
	8-97853-170-5			02	ABCD	
566	--- Clogging					
	8-97868-413-0			01	ABCD	
581	--- Self-tapping screw					
	8-94279-325-0	Q2734813A		02	ABCD	
					M5×14	
607	--- Fixator assembly- clamping piece					
	8-97857-893-2	8200180-803		01	ABCD	
624	--- Blocking strip- decorative cover assembly					
	1-72438-139-0			01	ABCD	

7-41

Decorative cover

Figure No.



Decorative cover

7-41

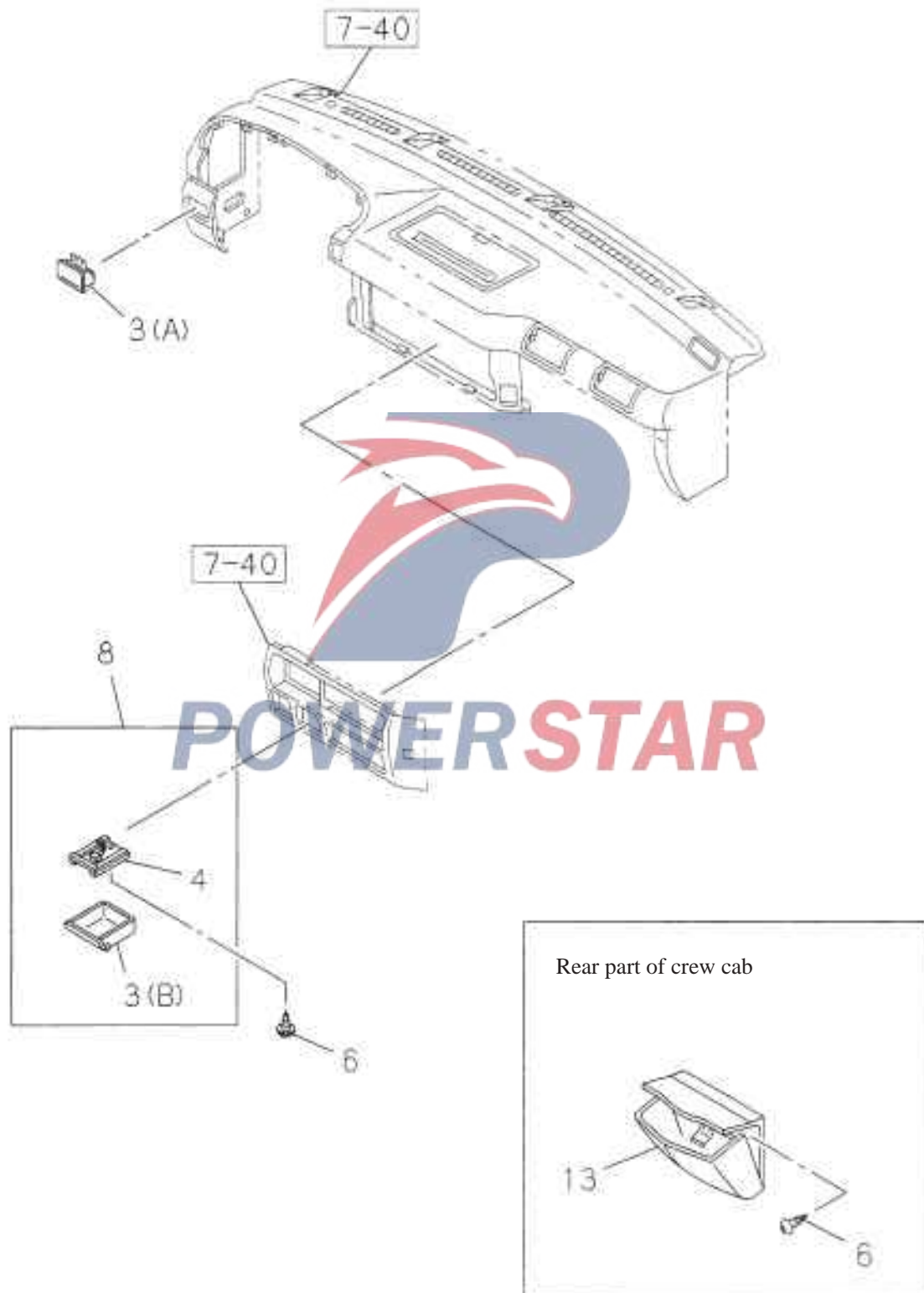
Figure No.

S/N	Recommended specification / name of part				
	Isuzu figure No.	QingLing figure No.	Left/Right	Qty.	Applicable models / applicable status / notes
					A B C D
53	--- Clamping piece- decorative cover assembly				
	8-97853-169-0			06	ABCD (A)
	8-97853-249-5			03	ABCD (C)
	8-97857-542-0			01	ABCD (B)
58	--- Self-tapping screw- decorative cover				
	8-94279-325-0	Q2734813A		02	ABCD M5×14
67	---Decorative cover assembly				
	8-97857-187-0			01	ABCD
88	---L-cover plate of instrument panel				
	8-97857-539-1	8203031-803		01	ABCD

7-42

# Ashtray

Figure No.



# Ashtray

# 7-42

Figure No.

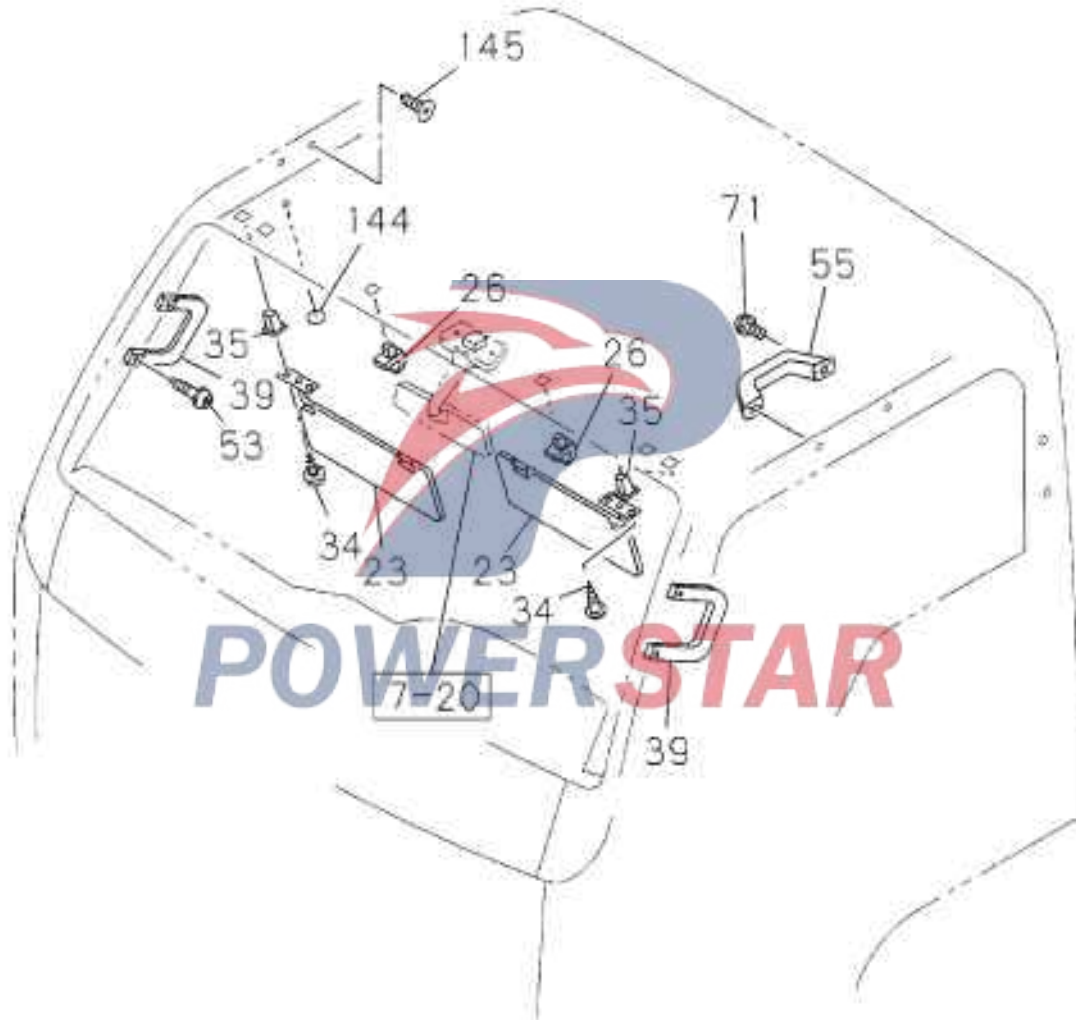
S/N	Recommended specification / name of part					
	Isuzu figure No.	QingLing figure No.	Left/Right	Qty.	Applicable models / applicable status / notes	
					A	Wheelbase 2490mm
	B	Wheelbase 2765mm				
C	Wheelbase 3360mm					
D	Wheelbase 3815mm					
3	--- Ashtray assembly - internal					
	8-97198-913-0	8203020-803		01	ABCD (A)	
4	--- Ashtray - external					
	8-97898-279-0	8203030-803		01	ABCD	
6	--- Bolt- Ashtray assembly					
	8-94318-980-0	8203122-803		01	ABCD M6×16	
8	--- Ashtray assembly(middle)					
	8-97898-279-0	8203010-803		01	ABCD	
13	--- Ashtray assembly (Rear)					
	5-76457-001-0	8203030-801		01	BCD 4KH1 engine, only for crew cab ABC 4JB1 engine, only for crew cab	



7-43

Figure No.

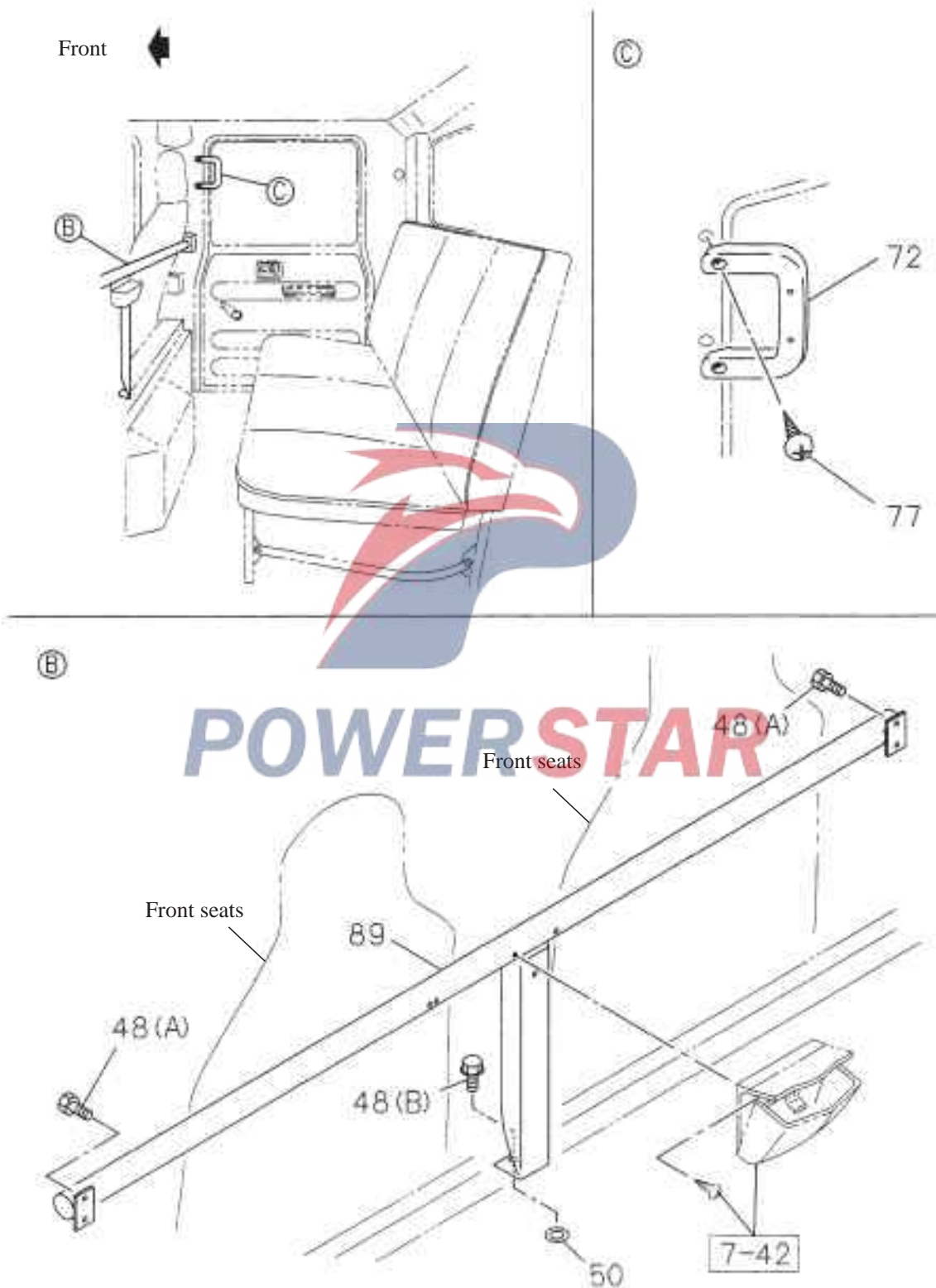
### Sunvisor and auxiliary handle



Sunvisor and auxiliary handle

7-43

Figure No.



7-43		Sunvisor and auxiliary handle				
Figure No.						
S/N	Recommended specification / name of part					
	Isuzu figure No.	QingLing figure No.	Left/Right	Qty.	Applicable models / applicable status / notes	
					A _____ Wheelbase 2490mm B _____ Wheelbase 2765mm C _____ Wheelbase 3360mm D _____ Wheelbase 3815mm	
23	<b>---Sunvisor assembly</b>					
	8-97997-505-0	8204010-803	Left	01	ABCD	
	8-97997-946-0	8204020-803	Right	01	ABCD	
26	<b>--- Holder- sunvisor</b>					
	8-94351-982-0	8204031-803		02	ABCD	
34	<b>--- Screw - sunvisor</b>					
	5-09981-059-0	8204121-803		04	ABCD	
35	<b>--- Washer nut - sunvisor</b>					
	8-94279-039-0			04	ABCD	
39	<b>--- Auxiliary handle - side column in the front window</b>					
	8-97867-209-0	8200151-803		02	ABCD	
48	<b>--- Bolt - handrail</b>					
	8-94279-200-0	5401010-26		04	ABCD BCD (A) M6×12	
	8-94279-202-0	5401020-26		01	ABC BCD 4JB1 engine, only for crew cab 4KB1 engine only for crew cab (B) M6×20	
50	<b>--- Small washer-handrail</b>					
	9-09160-508-0	Q40008		01	ABC BCD 4JB1 engine, only for crew cab 4KH1 engine, only for crew cab Inside diameter =8	

Sunvisor and auxiliary handle

7-43

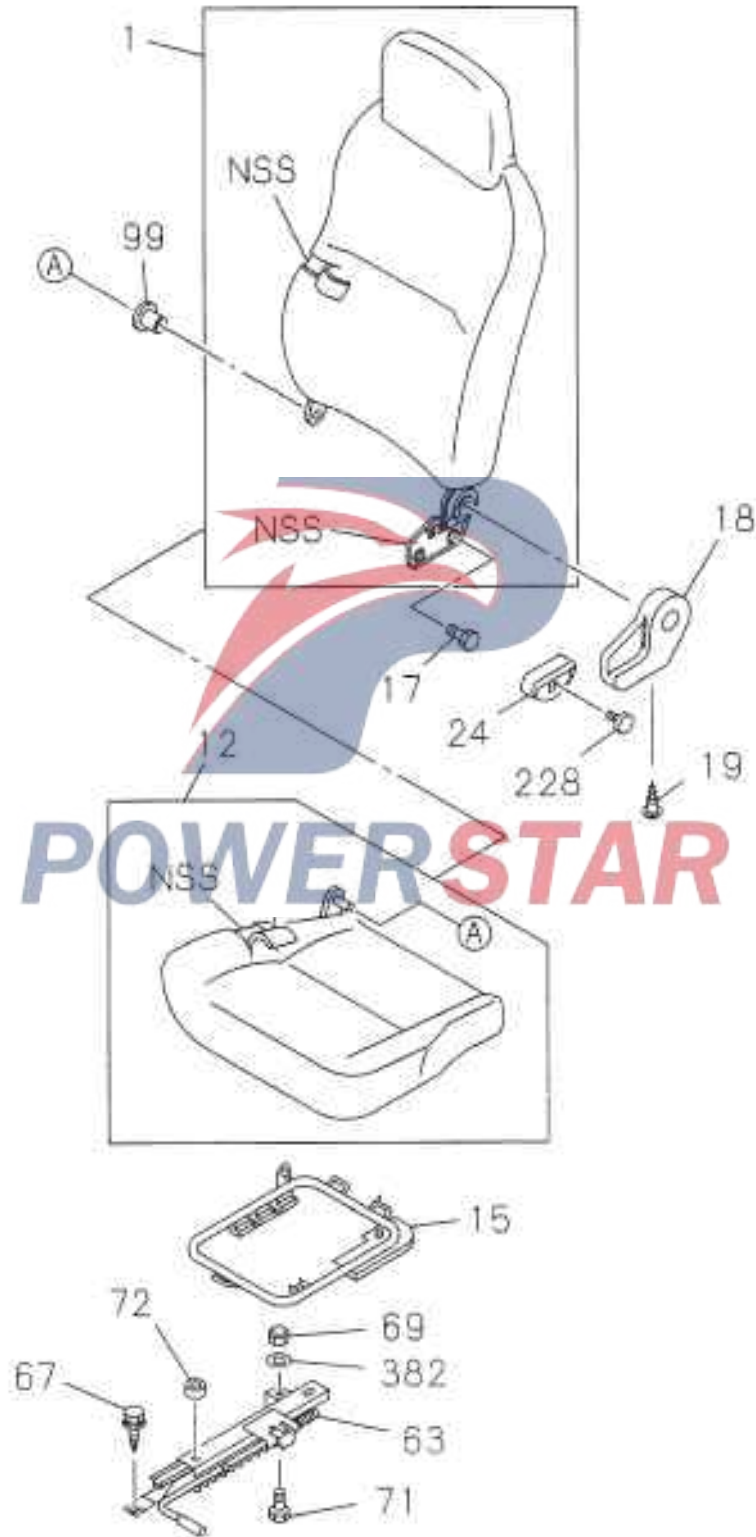
Figure No.

S/N	Recommended specification / name of part				
	Isuzu figure No.	QingLing figure No.	Left/Right	Qty.	Applicable models / applicable status / notes
					A B C D
53	--- Screw - auxiliary handle				
	8-94279-411-0	6203112-803		04	ABCD M6×34
55	--- Auxiliary handle-front seat side				
	8-97098-476-2	8200152-803		01	ABCD
71	--- Combination screw-auxiliary handle				
	5-09981-064-0	Q2320625		02	ABCD M6×30
72	--- Auxiliary handle - side column in the front window				
	8-97867-209-0	8200151-803		02	ABCD
77	--- Screw - auxiliary handle				
	8-94279-411-0	6205112-803		04	ABCD M6×34
89	--- Handle assembly				
	8-97853-446-5	5400040-10		01	BCD 4KH1 engine, only for crew-cab ABC 4JB1 engine, only for crew cab
144	--- Sealing cover sheet				
	8-97856-832-1	6201521-801		04	ABCD Outer diameter =20 Length=0.05
145	--- Blocking nail				
	8-94279-921-0			04	ABCD Outer diameter =12 Length=14.8

7-50

Front seats

Figure No.



Front seats

7-50

Figure No.

S/N	Recommended specification / name of part					
	Isuzu figure No.	QingLing figure No.	Left/Right	Qty.	Applicable models / applicable status / notes	
					A	Wheelbase 2490mm
					B	Wheelbase 2765mm
C					Wheelbase 3360mm	
D	Wheelbase 3815mm					
1	--- Front seat back assembly					
	8-97395-415-0	6905010-10		01	ABCD	
12	--- Front seat cushion assembly					
	8-97394-723-0	6903010-10		01	ABCD	
15	--- Front seat framework					
	8-97262-070-1			01	ABCD	
16	--- Regulator					
	8-97859-293-3			01	ABCD	
17	--- Bolt- regulator					
	8-97255-906-0			02	ABCD M8×20	
18	--- Cover- regulator					
	8-97859-018-0			01	ABCD	
19	--- Screw - cover					
	0-74310-516-0			01	ABCD M5×16	
24	--- Handle- regulator					
	8-97859-019-0			01	ABCD	
63	--- Slideway assembly					
	8-97854-670-3			01	ABCD	

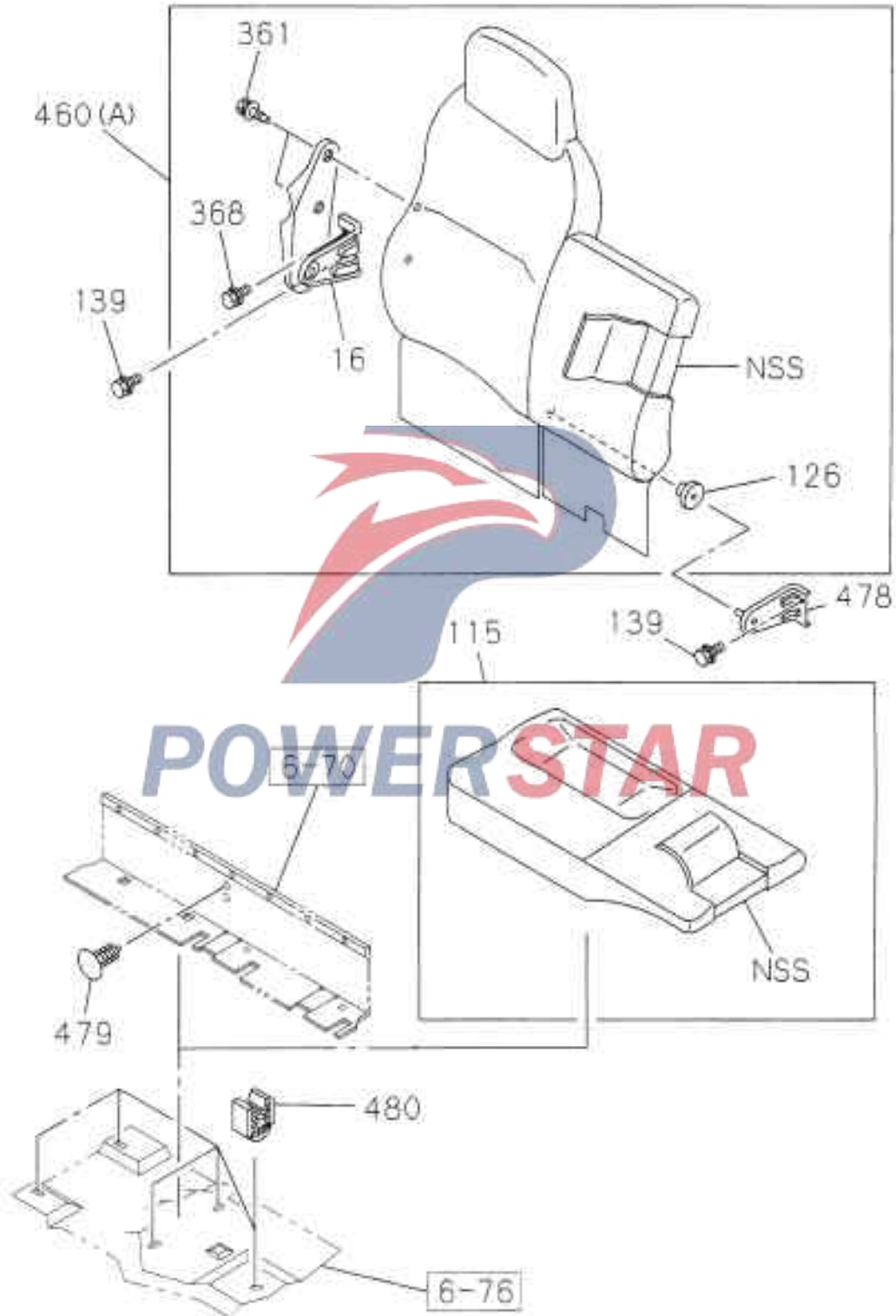
7-50		Front seats				
Figure No.						
S/N	Recommended specification / name of part					
	Isuzu figure No.	QingLing figure No.	Left/Right	Qty.	Applicable models / applicable status / notes	
					A _____ Wheelbase 2490mm	
					B _____ Wheelbase 2765mm	
					C _____ Wheelbase 3360mm	
					D _____ Wheelbase 3815mm	
67	--- Bolt- seat and floor					
	8-94279-217-0			01	ABCD M5×24.5	
69	--- Nut - seat					
	1-09984-109-0			01	ABCD M8	
71	--- Bolt- slideway					
	0-50040-835-0			02	ABCD M8×35	
72	--- Locating sleeve - slideway					
	8-97854-671-0			02	ABCD	
99	--- Sleeve-seat					
	8-97854-087-0			02	ABCD	



Front seats

7-50

Figure No.



7-50		Front seats				
Figure No.		Recommended specification / name of part				
S/N	Isuzu figure No.	QingLing figure No.	Left/Right	Qty.	Applicable models / applicable status / notes	
					A	B C D
						Wheelbase 2490mm
						Wheelbase 2765mm
						Wheelbase 3360mm
						Wheelbase 3815mm
115	--- Seat cushion assembly-copilot seat					
	8-97394-723-0			01	ABCD	
126	--- Sleeve-copilot seat					
	8-97854-900-0			01	ABCD	
139	--- Bolt - copilot seat					
	8-94279-217-0	6205213-801		04	B	M8×24.5
228	--- Screw-regulator cover					
	8-97042-273-0			01	ABCD	M4×6
361	--- Bolt - copilot seat					
	8-94279-109-1			02	ABCD	M8×18
368	--- Bolt-seat					
	8-94279-217-0	6205213-801		01	ABCD	M8×24.5
382	--- Large flat washer-driver seat					
	8-94127-883-1	Q40208		01	ABCD	Inside diameter =8.4 Outer diameter = 22
460	--- copilot seat back assembly					
	8-97395-415-0	6905010-10		01	ABCD	(A)

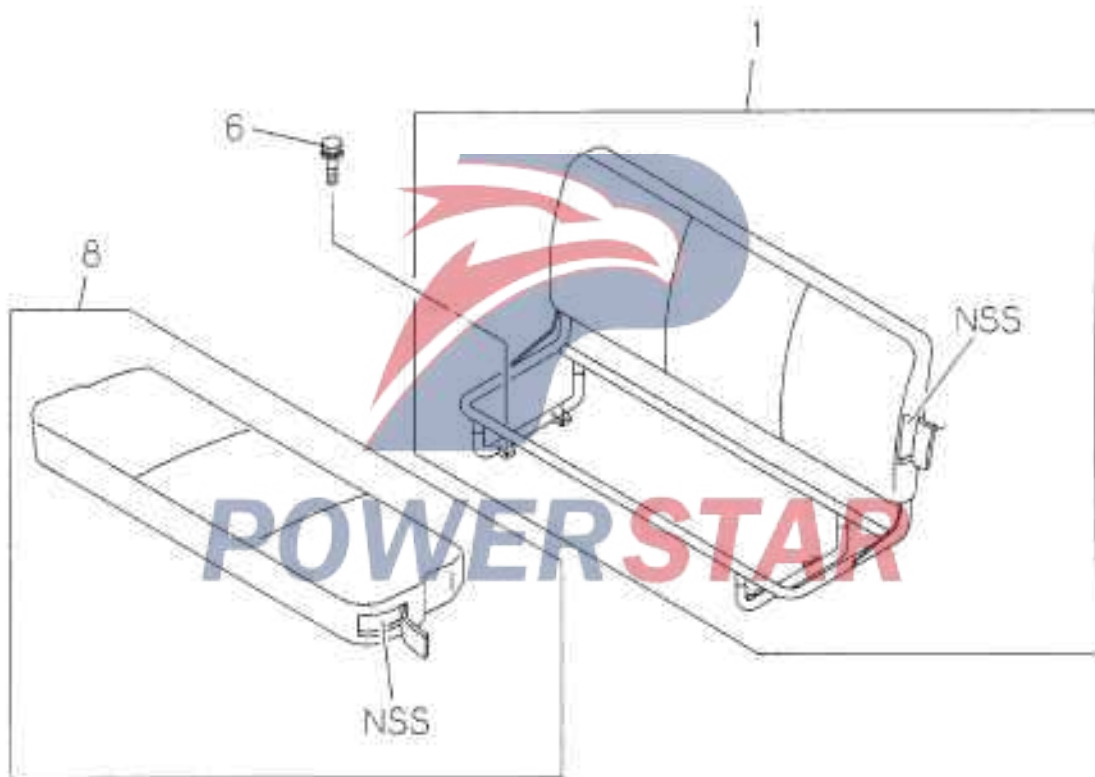
Front seats					7-50
					Figure No.
S/N	Recommended specification / name of part				Applicable models / applicable status / notes
	Isuzu figure No.	QingLing figure No.	Left/Right	Qty.	
					A Wheelbase 2490mm
					B Wheelbase 2765mm
					C Wheelbase 3360mm
					D Wheelbase 3815mm
478	--- Hinge bracket assembly-seat				
	8-97868-187-0	6107790-803		01	ABCD
479	--- Blocking- middle cross beam (front)				
	1-76378-157-0			02	ABCD
					Outer diameter=15 Length = 14.5
480	--- Fixation clamp-front seat cushion				
	8-94279-977-0	6205226-803		05	ABCD



7-55

Rear seat assembly

Figure No.



Rear seat assembly

7-55

Figure No.

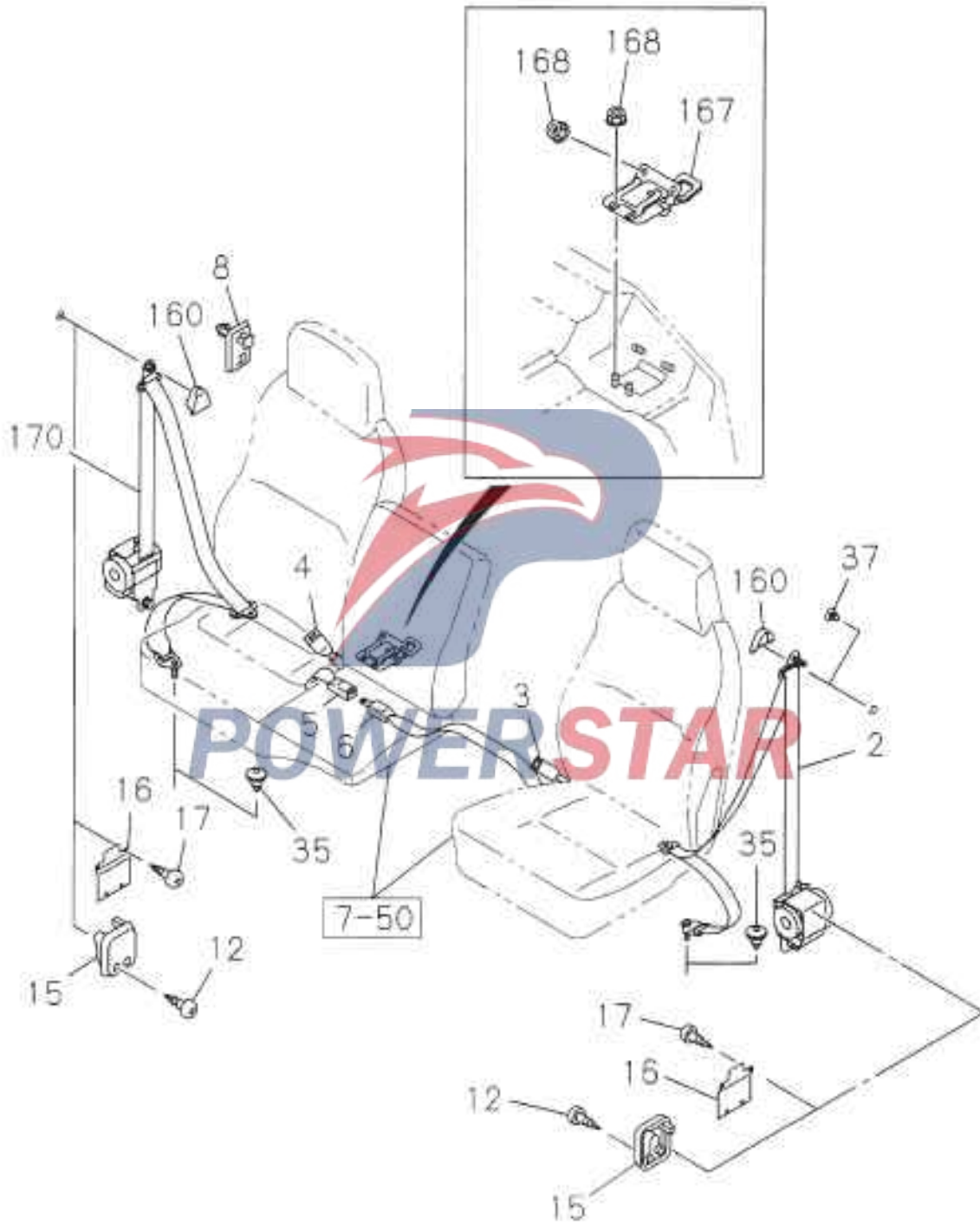
S/N	Recommended specification / name of part					
	Isuzu figure No.	QingLing figure No.	Left/Right	Qty.	Applicable models / applicable status / notes	
					A	B
						Wheelbase 2490mm
						Wheelbase 2765mm
						Wheelbase 3360mm
						Wheelbase 3815mm
1	--- Rear seat assembly (without cushion)					
	8-97394-728-1	7000010-10		01	ABC	4JB1 engine, only for crew cab
	8-97394-728-1	7000010-861		01	BCD	4KH1 engine, only for crew cab
6	-- Bolt					
	8-94279-219-0	6205213-801		04	ABCD	Only for crew cab M8×24.5
8	---Seat assembly - rear seat					
	8-97197-434-1			01	ABCD	

POWERSTAR

7-60

Seat belt

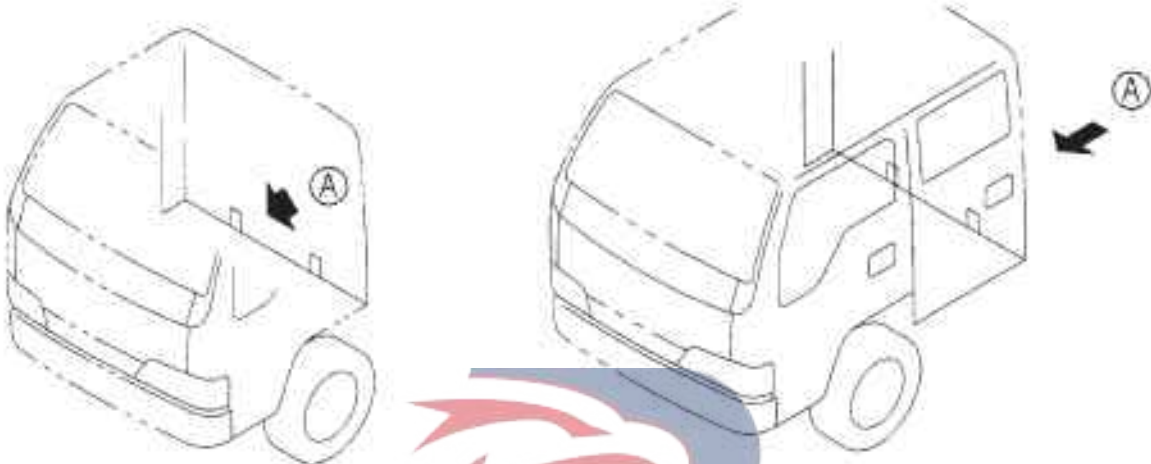
Figure No.



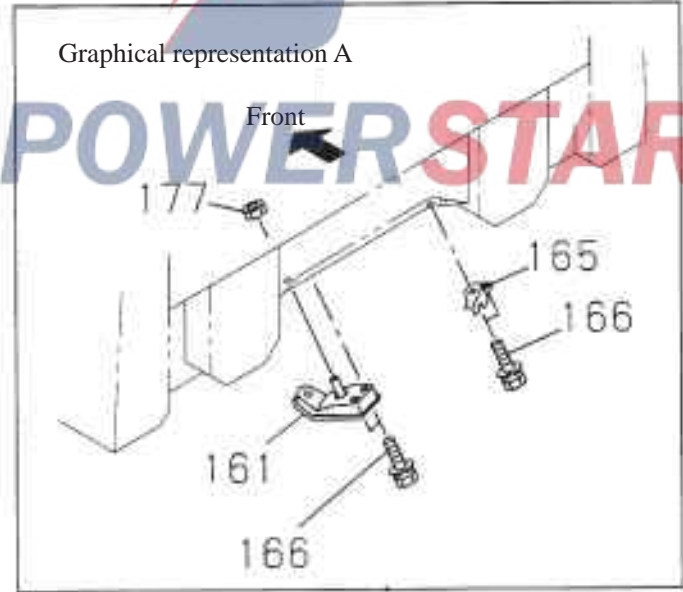
Seat belt

7-60

Figure No.



Graphical representation A





7-60		Seat belt				
Figure No.						
S/N	Recommended specification / name of part					
	Isuzu figure No.	QingLing figure No.	Left/Right	Qty.	Applicable models / applicable status / notes	
A					B	C
2	--- Seat belt assembly					
		8212010-805		01	ABCD	
3	--- Seat belt buckle					
		8212230-10	Left	01	ABCD	
4	--- Seat belt buckle					
		8212230-10	Right	01	ABCD	
5	--- Seat belt lock- middle seat					
		8212440-10		01	ABCD	
6	--- Braid regulator assembly- middle seat					
		8212350-10		01	ABCD	
8	--- Seat belt hanger					
	8-94276-268-1			02	ABCD	
12	--- Screw-hole cover					
	5-09981-074-0	Q2214213		04	ABCD	Only for crew cab M6×13
15	--- Cover plate					
	8-94351-691-3			02	ABCD	Only for crew cab

## Seat belt

# 7-60

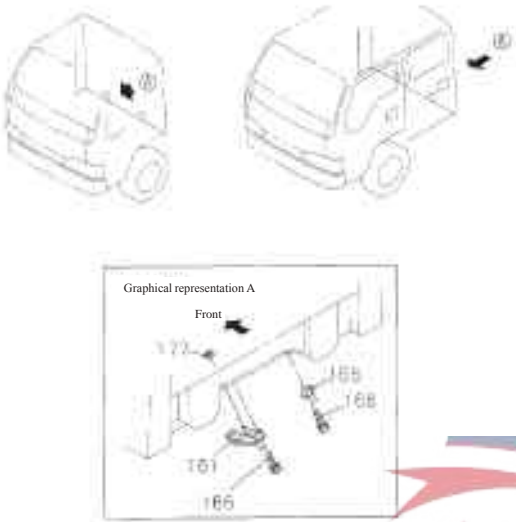
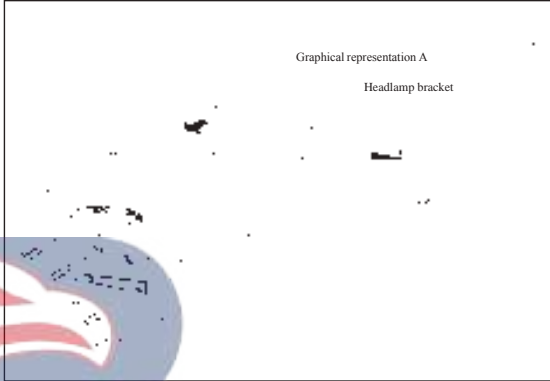
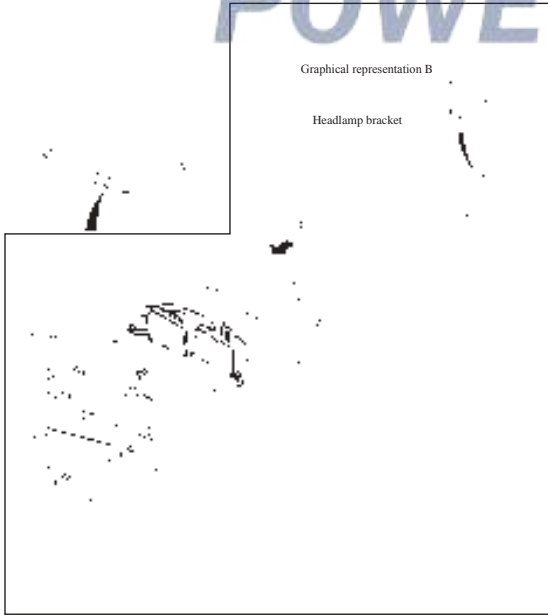
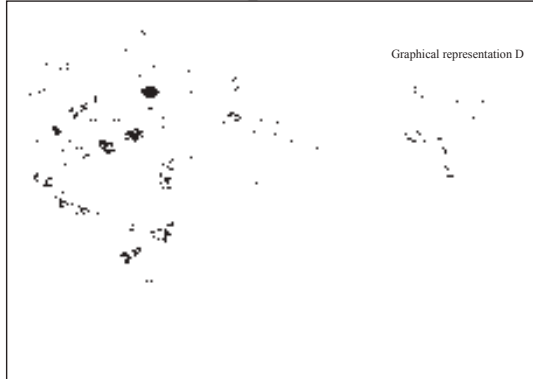
Figure No.

S/N	Recommended specification / name of part					
	Isuzu figure No.	QingLing figure No.	Left/Right	Qty.	Applicable models / applicable status / notes	
					A	Wheelbase 2490mm
	B	Wheelbase 2765mm				
C	Wheelbase 3360mm					
D	Wheelbase 3815mm					
16	--- Cover plate- hanger					
	8-97854-868-1			02	ABCD	Only for crew cab
17	--- Screw- cover plate					
	5-09981-074-0	Q2214213		08	ABCD	M6×13
35	--- Blocking- seat belt mounting hole on floor					
	9-61168-535-0	8212663-26		04	ABCD	Only for crew cab Outer diameter=22
37	--- Blocking nail- seat belt fixing hole					
	8-94279-726-0	8212661-26		02	ABCD	Only single cab
	8-94279-726-0	8212661-26		04	ABCD	Only for crew cab Length = 18.5
160	--- Decorative cover					
	8-97854-897-0			02	ABCD	
161	--- Left reinforcing plate assembly					
	8-97850-442-2	5107050-10	Left	01	ABCD	
165	--- Hanger assembly- seat belt					
	8-97869-416-0	5100170-10	Right	01	ABCD	
166	--- Bolt - Reinforcing plate					
	0-28680-825-0	Q1840825		04	ABCD	M8×25

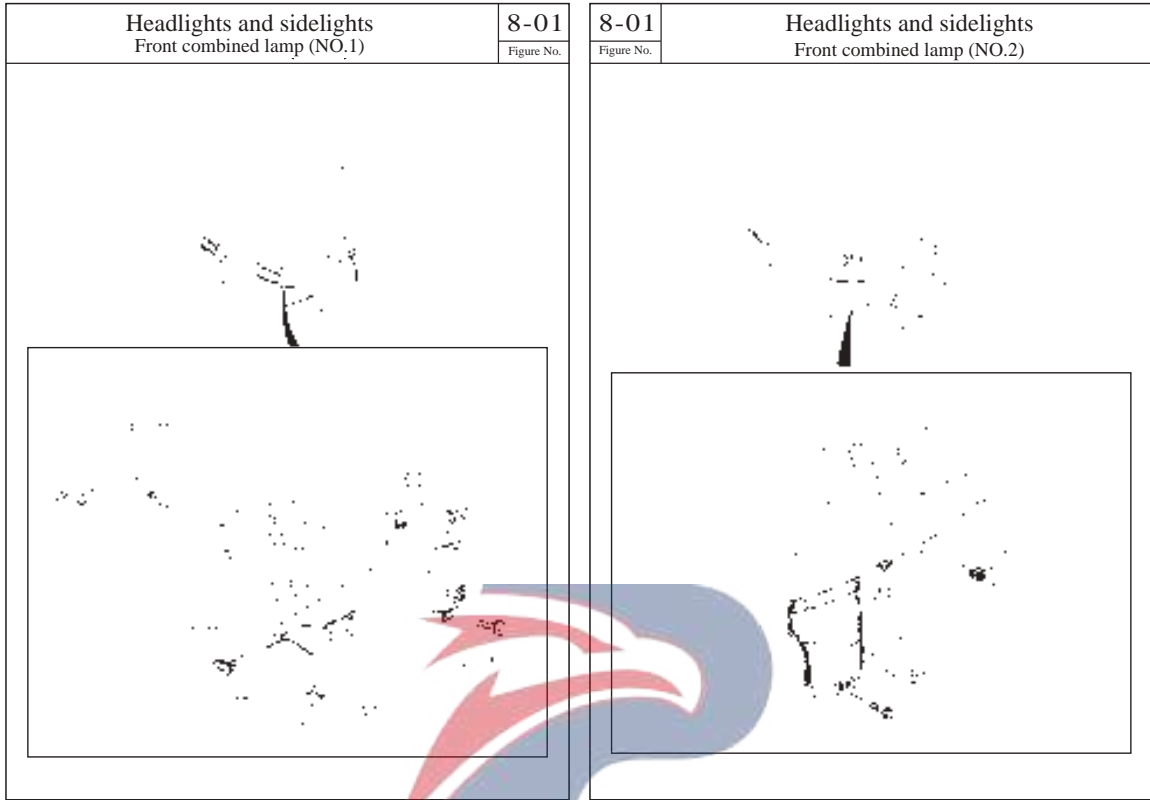
7-60		Seat belt				
Figure No.						
S/N	Recommended specification / name of part					
	Isuzu figure No.	QingLing figure No.	Left/Right	Qty.	Applicable models / applicable status / notes	
					A _____ Wheelbase 2490mm	
					B _____ Wheelbase 2765mm	
					C _____ Wheelbase 3360mm	
					D _____ Wheelbase 3815mm	
167	--- Liner plate assembly					
	8-97869-412-1	8200322-803		01	ABCD	
168	--- Nut					
	5-09440-005-0	Q32008		04	ABCD	
					M8	
170	--- Seat belt assembly- copilot seat					
		8212010-10		01	ABCD	
177	--- Nut					
	8-94327-073-0	8200321-803		01	ABCD	

**POWERSTAR**

### Catalogue of 4KH1 - TC engine

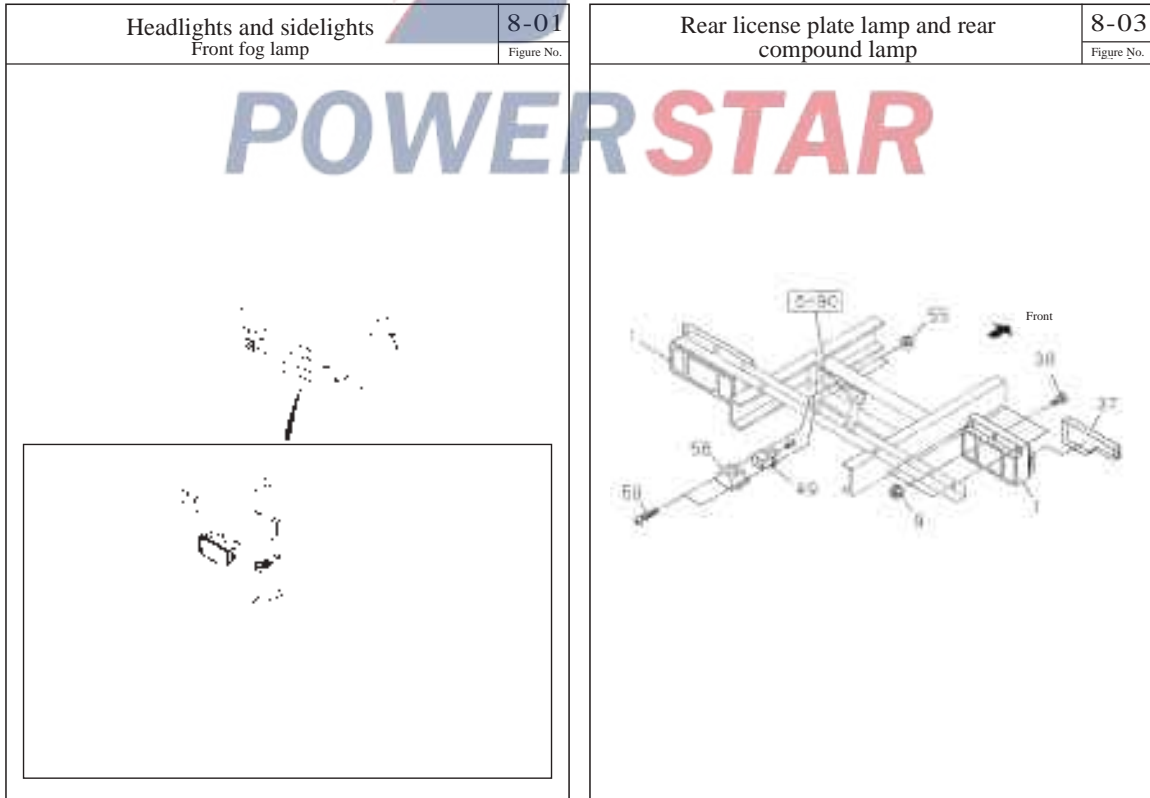
<p>Seat belt</p>	<p>7-60 Figure No.</p>	<p>8-01 Figure No.</p>	<p>Headlights and sidelights Headlamp and decorating parts (NO.1)</p>
			
<p>P- 555</p>		<p>P- 560</p>	
<p>Headlights and sidelights Headlamp and decorating parts (NO.2)</p>	<p>8-01 Figure No.</p>	<p>8-01 Figure No.</p>	<p>Headlights and sidelights Headlamp and decorating parts (NO.3)</p>
			
<p>P- 561</p>		<p>P- 562</p>	

### Catalogue of 4KH1 - TC engine



P- 563

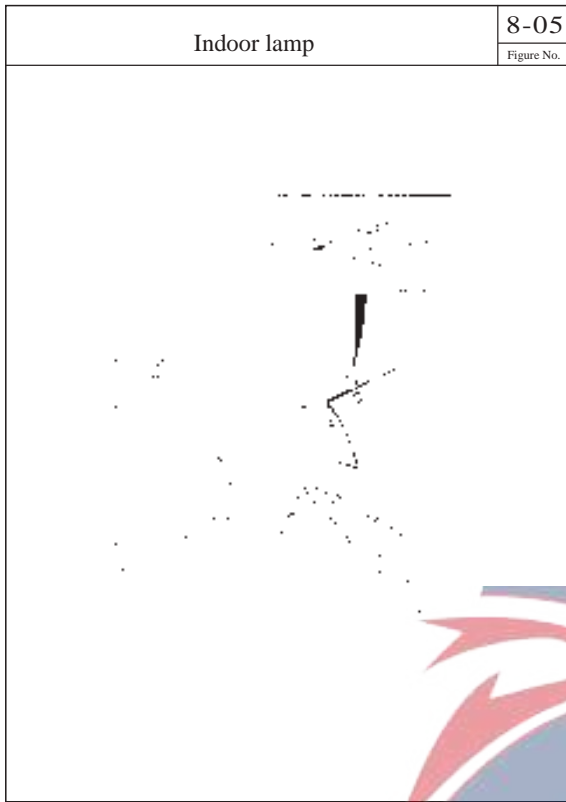
P- 564



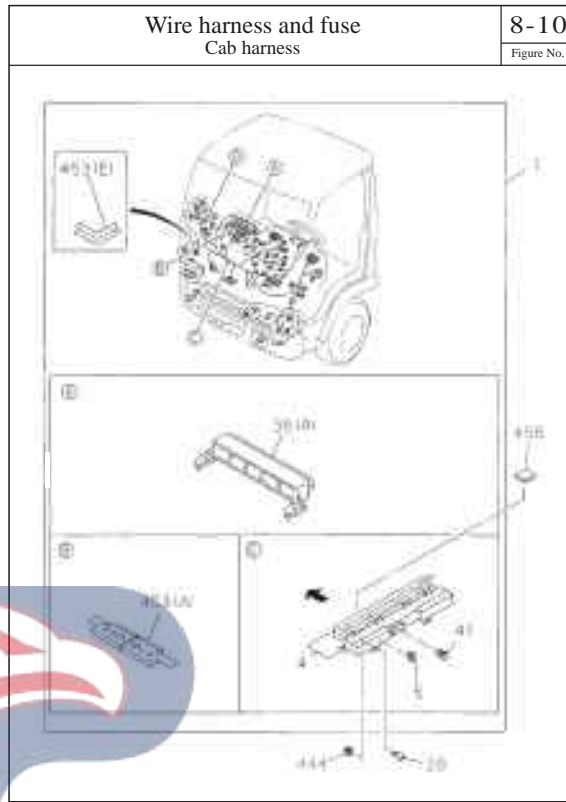
P- 565

P- 569

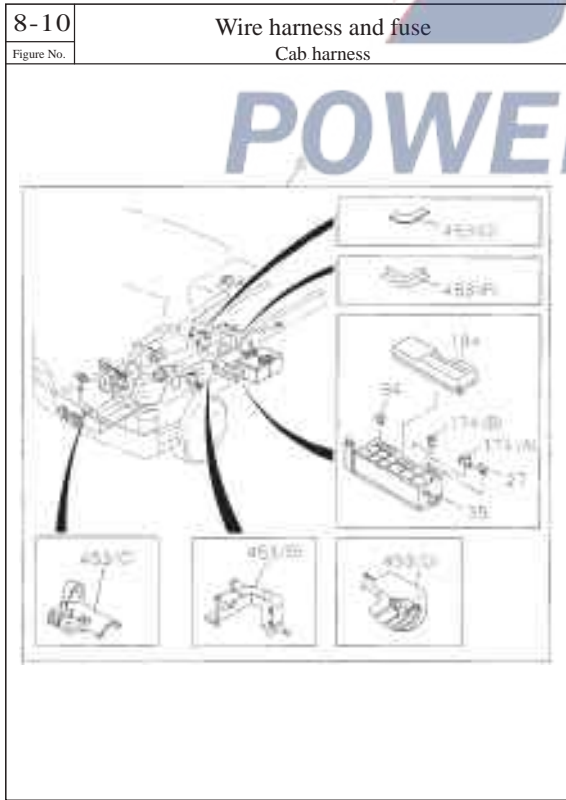
### Catalogue of 4KH1 - TC engine



P- 571



P- 573

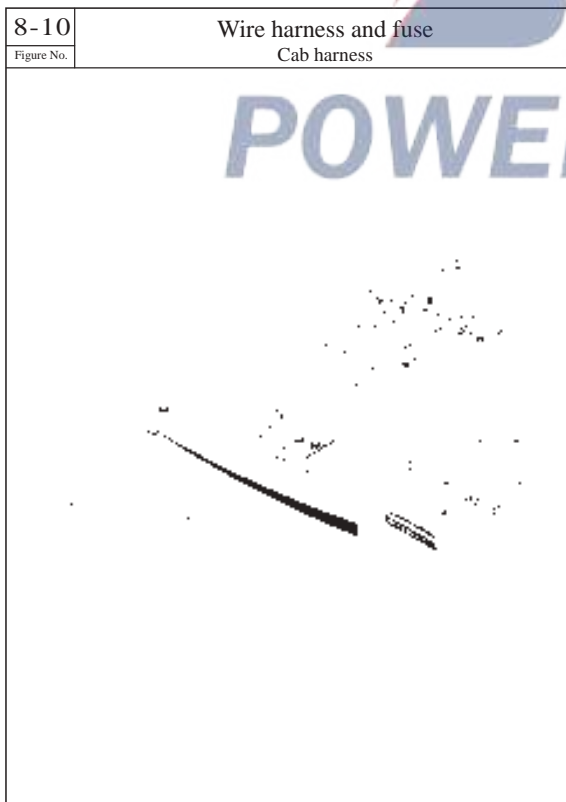
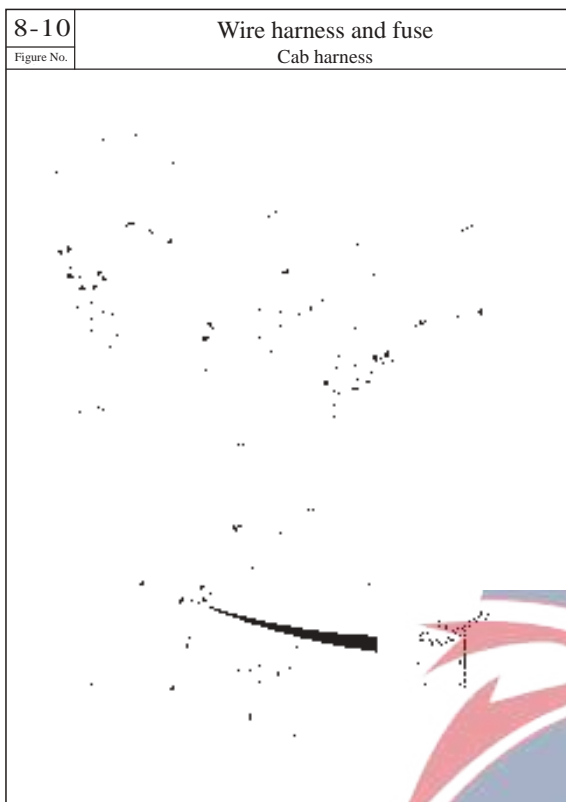


P- 574




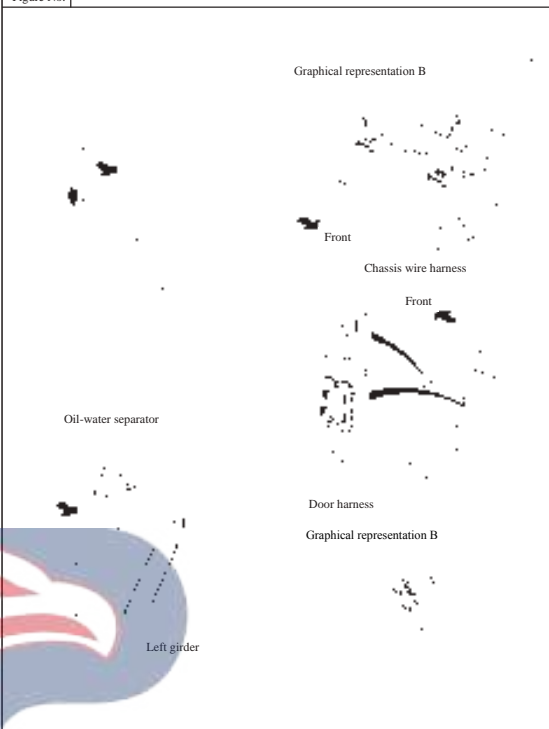
P- 575


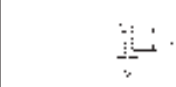
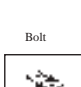
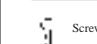


### Catalogue of 4KH1 - TC engine





### Catalogue of 4KH1 - TC engine

<p><b>Fixed parts for wire harness installation</b></p> <p style="text-align: right;">8-15 <small>Figure No.</small></p>  <p style="text-align: center;">P- 585</p>	<p><b>Fixed parts for wire harness installation</b></p> <p style="text-align: right;">8-15 <small>Figure No.</small></p>  <p style="text-align: center;">P- 586</p>
---	--

<p><b>Fixed parts for wire harness installation</b> Bolt and screw</p> <p style="text-align: right;">8-15 <small>Figure No.</small></p>  <table border="1" style="width: 100%; border-collapse: collapse;"> <thead> <tr> <th>Specification</th> <th>M5× 16</th> <th>M6× 10</th> <th>M6× 16</th> <th>M6× 20</th> <th>M6× 25</th> </tr> </thead> <tbody> <tr> <td>Label</td> <td>38(A)</td> <td>150(C)</td> <td>8(A)</td> <td>38(C)</td> <td>38(D) 150(B)</td> </tr> </tbody> </table> <table border="1" style="width: 100%; border-collapse: collapse;"> <thead> <tr> <th>Specification</th> <th>M8× 12</th> <th>M8× 16</th> <th>M8× 20</th> <th>M8× 25</th> <th>M8× 35</th> </tr> </thead> <tbody> <tr> <td>Label</td> <td>150(A)</td> <td>139(C)</td> <td>377</td> <td>8(B) 38(B)</td> <td>466</td> </tr> </tbody> </table> <div style="display: flex; justify-content: space-around;"> <div style="text-align: center;">  <table border="1" style="width: 100%; border-collapse: collapse;"> <thead> <tr> <th>Specification</th> <th>M6× 16</th> <th>M8× 16</th> <th>M8× 25</th> </tr> </thead> <tbody> <tr> <td>Label</td> <td>386(A)</td> <td>386(B)</td> <td>159</td> </tr> </tbody> </table> </div> <div style="text-align: center;">  <table border="1" style="width: 100%; border-collapse: collapse;"> <tbody> <tr> <td>Label</td> <td>139(B)</td> </tr> </tbody> </table> </div> </div> <div style="text-align: center; margin-top: 10px;">  <table border="1" style="width: 100%; border-collapse: collapse;"> <thead> <tr> <th>Specification</th> <th>M4× 16</th> <th>M5× 14</th> <th>M5× 16</th> </tr> </thead> <tbody> <tr> <td>Label</td> <td>64</td> <td>511</td> <td>10</td> </tr> </tbody> </table> </div> <p style="text-align: center;">P- 587</p>	Specification	M5× 16	M6× 10	M6× 16	M6× 20	M6× 25	Label	38(A)	150(C)	8(A)	38(C)	38(D) 150(B)	Specification	M8× 12	M8× 16	M8× 20	M8× 25	M8× 35	Label	150(A)	139(C)	377	8(B) 38(B)	466	Specification	M6× 16	M8× 16	M8× 25	Label	386(A)	386(B)	159	Label	139(B)	Specification	M4× 16	M5× 14	M5× 16	Label	64	511	10	<p><b>Fixed parts for wire harness installation</b> Nut</p> <p style="text-align: right;">8-15 <small>Figure No.</small></p>  <table border="1" style="width: 100%; border-collapse: collapse;"> <thead> <tr> <th>Specification</th> <th>M5</th> <th>M6</th> <th>M8</th> <th>M10</th> <th>M12</th> </tr> </thead> <tbody> <tr> <td>Label</td> <td>219(A)</td> <td>219(B) 294(A) 515</td> <td>219(C) 469 524</td> <td>294(B)</td> <td>519</td> </tr> </tbody> </table> <div style="text-align: center; margin-top: 20px;">  <table border="1" style="width: 100%; border-collapse: collapse;"> <tbody> <tr> <td>Label</td> <td>219(D)</td> </tr> </tbody> </table> </div> <p style="text-align: center;">P- 588</p>	Specification	M5	M6	M8	M10	M12	Label	219(A)	219(B) 294(A) 515	219(C) 469 524	294(B)	519	Label	219(D)
Specification	M5× 16	M6× 10	M6× 16	M6× 20	M6× 25																																																				
Label	38(A)	150(C)	8(A)	38(C)	38(D) 150(B)																																																				
Specification	M8× 12	M8× 16	M8× 20	M8× 25	M8× 35																																																				
Label	150(A)	139(C)	377	8(B) 38(B)	466																																																				
Specification	M6× 16	M8× 16	M8× 25																																																						
Label	386(A)	386(B)	159																																																						
Label	139(B)																																																								
Specification	M4× 16	M5× 14	M5× 16																																																						
Label	64	511	10																																																						
Specification	M5	M6	M8	M10	M12																																																				
Label	219(A)	219(B) 294(A) 515	219(C) 469 524	294(B)	519																																																				
Label	219(D)																																																								

### Catalogue of 4KH1 - TC engine

<b>Fixed parts for wire harness installation</b>			<b>8-15</b>
Clamping piece (NO.1)			Figure No.

Specification	Length = 140	Length = 250
Label	16 (I) 48 (D) 162 220	16 (G)

Specification	Length = 135	Length = 170.3
Label	205	48 (I) 142

Specification	Length = 100
Label	16 (E)

Specification	Length = 90
Label	488

Specification	Length = 197
Label	483 (A)

Specification	Length = 155
Label	16 (F)

P- 589

<b>Fixed parts for wire harness installation</b>			<b>8-15</b>
Clamping piece (NO.2)			Figure No.

Specification	Length=80
Label	16 (C)

Specification	Inside diameter =19
Label	48 (A)

Specification	Inside diameter =14	Inside diameter =27	Inside diameter 33
Label	16 (H) 48 (C) 52	48 (L)	48 (B)

Specification	Inside diameter =20	Inside diameter =27
Label	48 (M)	48 (H)

Specification	Inside diameter =31.5
Label	48 (G)

Specification	Thickness =5.5
Label	48 (E)

P- 590

<b>Fixed parts for wire harness installation</b>			<b>8-15</b>
Clamping piece (NO.3)			Figure No.

Specification	Inside diameter =11	Inside diameter =16	Inside diameter =31
Label	483 (C)	483 (B)	48 (F)

Specification	Inside diameter =30
Label	48 (K)

Specification	Inside diameter =7
Label	16 (D)

Specification	Inside diameter =12	Inside diameter =6.5
Label	16 (N)	49

Specification	Inside diameter =22 and 22
Label	16 (K)

Specification	Thickness =4.5 and 9	Thickness =4.5 and 13
Label	48 (N)	48 (O)

P- 591

<b>Fixed parts for wire harness installation</b>			<b>8-15</b>
Clamping piece (NO.4)			Figure No.

Specification	Inner diameter =6 and 10/13
Label	16 (L) 264 (B)

Specification	Inner diameter =10 and 16
Label	16 (J) 264 (A)

Specification	Length = 100
Label	16 (A)

Specification	Inside diameter =15-32
Label	16 (M)

Specification	Length = 60
Label	16 (B)

Specification	Inside diameter =9
Label	48 (J)


Specification	Inside diameter =6.5
Label	464

Specification	Inside diameter =7
Label	397

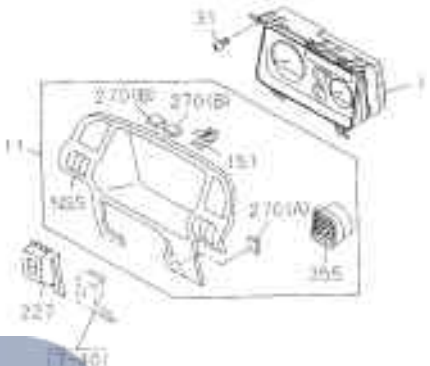
183
-----

P- 592


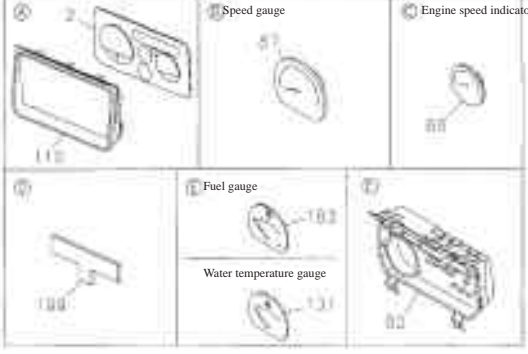
### Catalogue of 4KH1 - TC engine

<b>Fixed parts for wire harness installation Bracket</b>	<b>8-15</b> <small>Figure No.</small>														
	<table border="1" style="margin-left: auto; margin-right: auto; border-collapse: collapse;"> <thead> <tr> <th style="padding: 2px;">Label</th> <th style="padding: 2px;">Specification</th> </tr> </thead> <tbody> <tr> <td style="padding: 2px;">27</td> <td style="padding: 2px;">Length = 80</td> </tr> <tr> <td style="padding: 2px;">504(A)</td> <td style="padding: 2px;">Length = 200</td> </tr> <tr> <td style="padding: 2px;">504(B)</td> <td style="padding: 2px;">Length = 120</td> </tr> <tr> <td style="padding: 2px;">514(A)</td> <td style="padding: 2px;">Length = 120</td> </tr> <tr> <td style="padding: 2px;">514(B)</td> <td style="padding: 2px;">Length = 175</td> </tr> <tr> <td style="padding: 2px;">514(C)</td> <td style="padding: 2px;">Length = 290</td> </tr> </tbody> </table>	Label	Specification	27	Length = 80	504(A)	Length = 200	504(B)	Length = 120	514(A)	Length = 120	514(B)	Length = 175	514(C)	Length = 290
Label	Specification														
27	Length = 80														
504(A)	Length = 200														
504(B)	Length = 120														
514(A)	Length = 120														
514(B)	Length = 175														
514(C)	Length = 290														

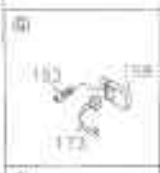
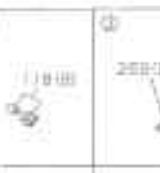


P- 593

<b>Instrument cluster</b>	<b>8-21</b> <small>Figure No.</small>
	

P- 605




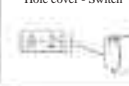




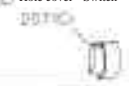




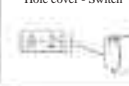




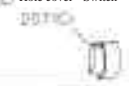


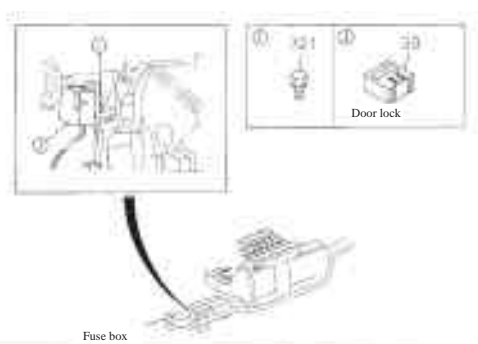
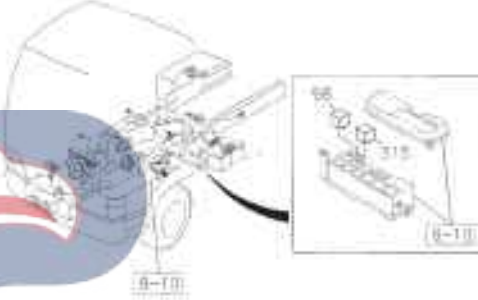


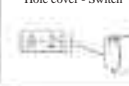




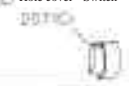


<b>8-21</b> <small>Figure No.</small>	<b>Instrument cluster</b>
	
	<p>Speed gauge</p> <p>Engine speed indicator</p> <p>Fuel gauge</p> <p>Water temperature gauge</p>




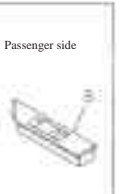




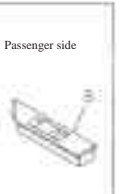


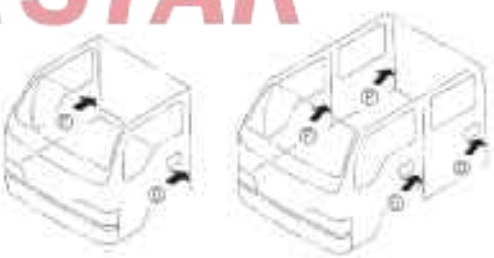
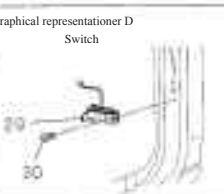
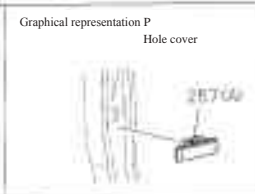
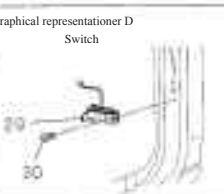
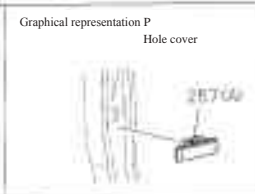


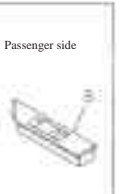


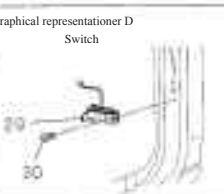
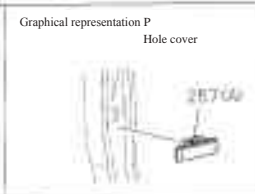
P- 606

<b>Instrument cluster</b>	<b>8-21</b> <small>Figure No.</small>
	
	
	
	
	


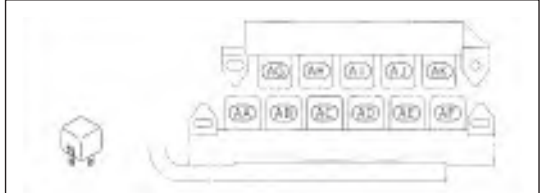

P- 607


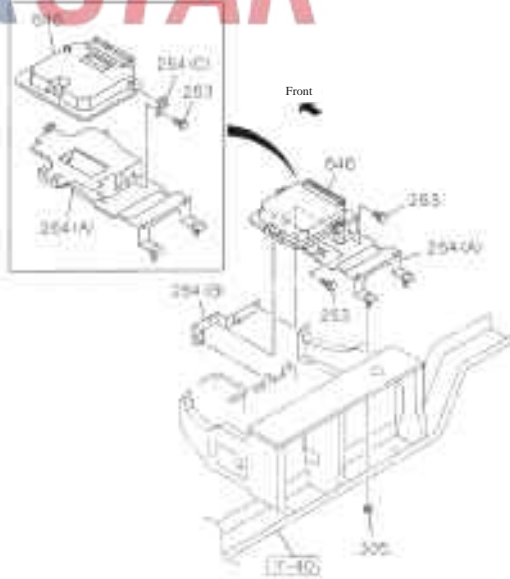
### Catalogue of 4KH1 - TC engine

<p><b>Switches and relays</b></p> <p style="text-align: right;"><b>8-25</b> Figure No.</p>  <table border="1" style="width: 100%; border-collapse: collapse;"> <tr> <td style="width: 33%; text-align: center;"> <p>① Hazard light</p>  </td> <td style="width: 33%; text-align: center;"> <p>② Fog lamp</p>  </td> <td style="width: 33%; text-align: center;"> <p>Hole cover - Switch</p>  </td> </tr> <tr> <td style="text-align: center;"> <p>③ Indoor lamp</p>  </td> <td style="text-align: center;"> <p>Hole cover - Switch</p>  </td> <td style="text-align: center;"> <p>④ Hole cover - Switch</p>  </td> </tr> <tr> <td style="text-align: center;"> <p>⑤ Hole cover - Switch</p>  </td> <td style="text-align: center;"> <p>⑥ Hole cover - Switch</p>  </td> <td style="text-align: center;"> <p>⑦ Hole cover - Switch</p>  </td> </tr> <tr> <td style="text-align: center;"> <p>⑧ Hole cover - Switch</p>  </td> <td colspan="2"></td> </tr> </table> <p style="text-align: center;">P- 611</p>	<p>① Hazard light</p> 	<p>② Fog lamp</p> 	<p>Hole cover - Switch</p> 	<p>③ Indoor lamp</p> 	<p>Hole cover - Switch</p> 	<p>④ Hole cover - Switch</p> 	<p>⑤ Hole cover - Switch</p> 	<p>⑥ Hole cover - Switch</p> 	<p>⑦ Hole cover - Switch</p> 	<p>⑧ Hole cover - Switch</p> 			<p><b>8-25</b> Figure No.</p> <p style="text-align: center;"><b>Switches and relays</b></p>  <p style="text-align: center;">Fuse box</p>  <p style="text-align: center;">P- 612</p>
<p>① Hazard light</p> 	<p>② Fog lamp</p> 	<p>Hole cover - Switch</p> 											
<p>③ Indoor lamp</p> 	<p>Hole cover - Switch</p> 	<p>④ Hole cover - Switch</p> 											
<p>⑤ Hole cover - Switch</p> 	<p>⑥ Hole cover - Switch</p> 	<p>⑦ Hole cover - Switch</p> 											
<p>⑧ Hole cover - Switch</p> 													

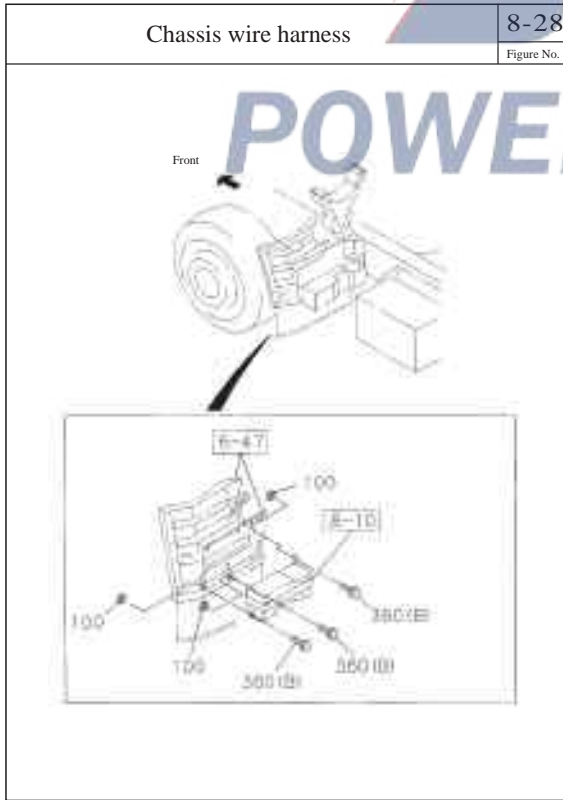
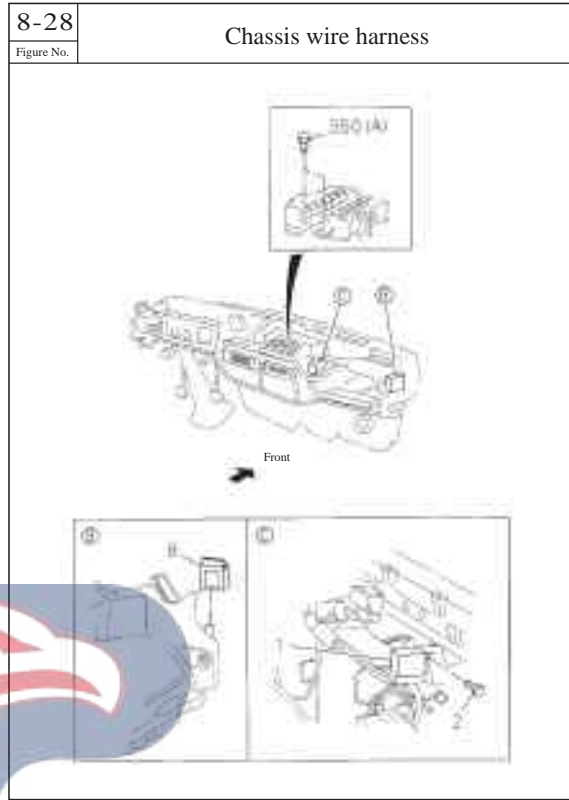
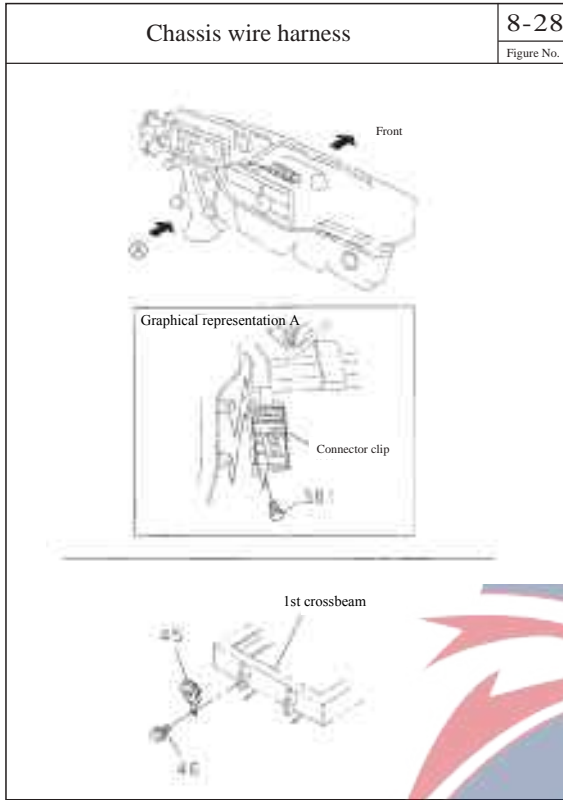
<p><b>Switches and relays</b></p> <p style="text-align: right;"><b>8-25</b> Figure No.</p>  <table border="1" style="width: 100%; border-collapse: collapse;"> <tr> <td style="width: 33%; text-align: center;"> <p>①</p>  </td> <td style="width: 33%; text-align: center;"> <p>② Driver side</p>  </td> <td style="width: 33%; text-align: center;"> <p>③ Passenger side</p>  </td> </tr> <tr> <td style="text-align: center;"> <p>④</p>  </td> <td style="text-align: center;"> <p>⑤ Clutch pedal</p>  </td> <td></td> </tr> </table> <p style="text-align: center;">P- 613</p>	<p>①</p> 	<p>② Driver side</p> 	<p>③ Passenger side</p> 	<p>④</p> 	<p>⑤ Clutch pedal</p> 		<p><b>8-25</b> Figure No.</p> <p style="text-align: center;"><b>Switches and relays</b></p>  <table border="1" style="width: 100%; border-collapse: collapse;"> <tr> <td style="width: 50%; text-align: center;"> <p>Graphical representation D Switch</p>  </td> <td style="width: 50%; text-align: center;"> <p>Graphical representation P Hole cover</p>  </td> </tr> </table> <p style="text-align: center;">P- 614</p>	<p>Graphical representation D Switch</p> 	<p>Graphical representation P Hole cover</p> 
<p>①</p> 	<p>② Driver side</p> 	<p>③ Passenger side</p> 							
<p>④</p> 	<p>⑤ Clutch pedal</p> 								
<p>Graphical representation D Switch</p> 	<p>Graphical representation P Hole cover</p> 								

### Catalogue of 4KH1 - TC engine

<p><b>Switches and relays</b></p> <p style="text-align: right;">8-25 <small>Figure No.</small></p>   <table border="1" style="width: 100%; border-collapse: collapse;"> <thead> <tr> <th></th> <th>S/N</th> <th>Relay types</th> </tr> </thead> <tbody> <tr> <td>(A1)</td> <td>0-50</td> <td>Charging relay</td> </tr> <tr> <td>(A2)</td> <td>85</td> <td>Headlamp relay</td> </tr> <tr> <td>(A3)</td> <td>8-40</td> <td>Heater and air conditioner relay</td> </tr> <tr> <td>(A4)</td> <td>8-28</td> <td>Stop light relay</td> </tr> <tr> <td>(A5)</td> <td>8-28</td> <td>Flasher relay</td> </tr> <tr> <td>(A6)</td> <td>8-28</td> <td>Horn relay</td> </tr> <tr> <td>(A7)</td> <td>531</td> <td>ECU relay</td> </tr> <tr> <td>(A8)</td> <td>12</td> <td>Relay of electric window and door</td> </tr> <tr> <td>(A9)</td> <td>8-28</td> <td>Fuel heater relay</td> </tr> </tbody> </table>		S/N	Relay types	(A1)	0-50	Charging relay	(A2)	85	Headlamp relay	(A3)	8-40	Heater and air conditioner relay	(A4)	8-28	Stop light relay	(A5)	8-28	Flasher relay	(A6)	8-28	Horn relay	(A7)	531	ECU relay	(A8)	12	Relay of electric window and door	(A9)	8-28	Fuel heater relay	<p><b>8-26</b></p> <p style="text-align: left;"><small>Figure No.</small></p> <p><b>Electronic control and other components</b></p> 
	S/N	Relay types																													
(A1)	0-50	Charging relay																													
(A2)	85	Headlamp relay																													
(A3)	8-40	Heater and air conditioner relay																													
(A4)	8-28	Stop light relay																													
(A5)	8-28	Flasher relay																													
(A6)	8-28	Horn relay																													
(A7)	531	ECU relay																													
(A8)	12	Relay of electric window and door																													
(A9)	8-28	Fuel heater relay																													
P- 615	P- 620																														

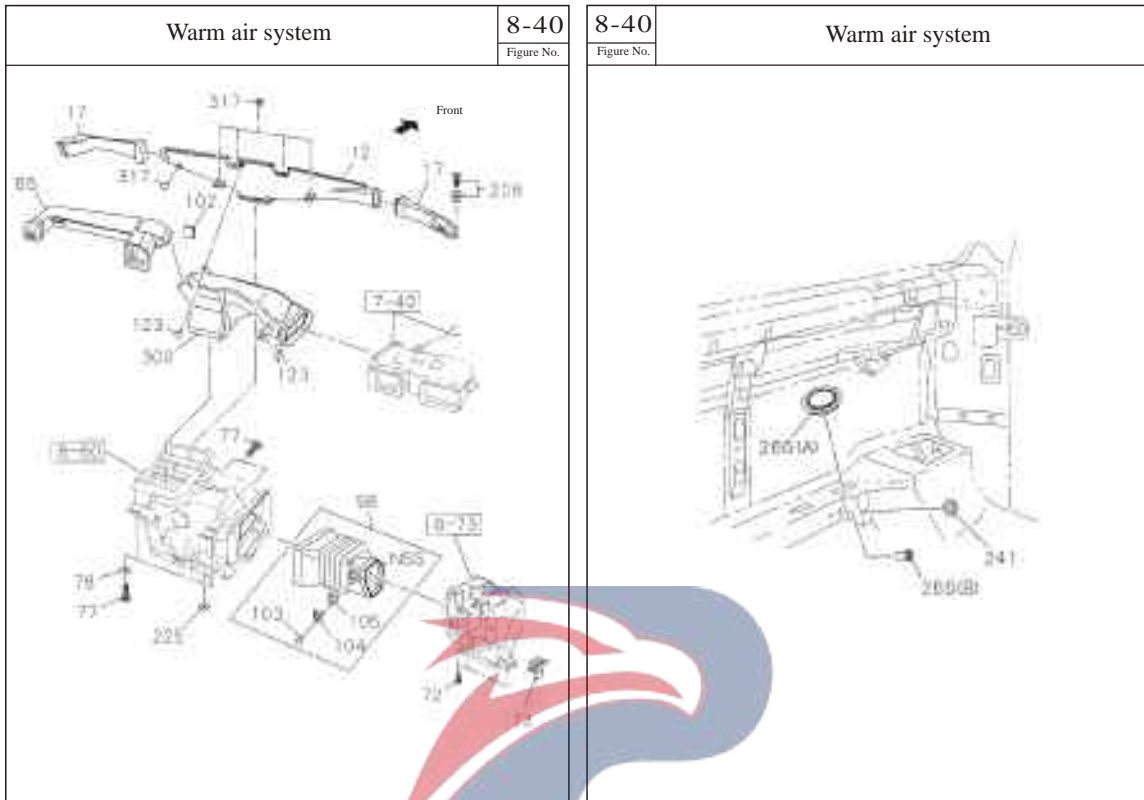
<p><b>Electronic control and other components</b></p> <p style="text-align: right;">8-26 <small>Figure No.</small></p> 	<p><b>8-26</b></p> <p style="text-align: left;"><small>Figure No.</small></p> <p><b>Electronic control and other components</b></p> 
P- 621	P- 622

### Catalogue of 4KH1 - TC engine



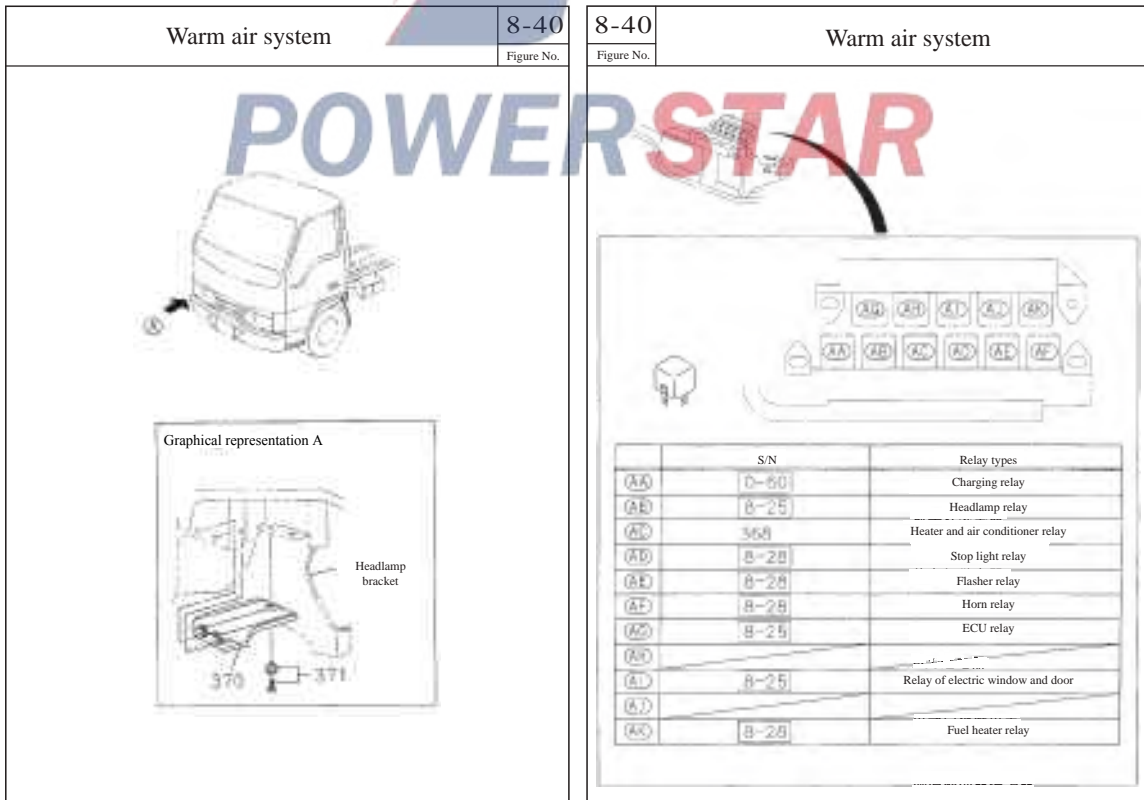


### Catalogue of 4KH1 - TC engine



P- 631

P- 632

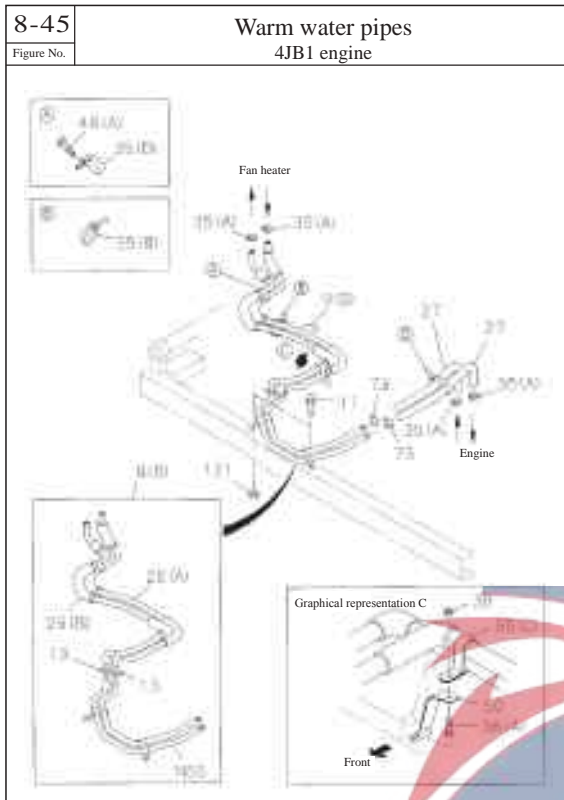


P- 633

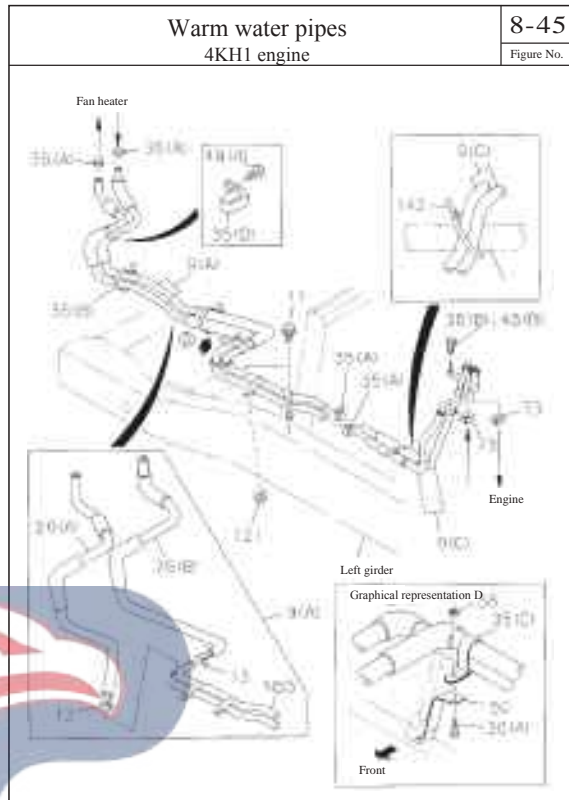
P- 634



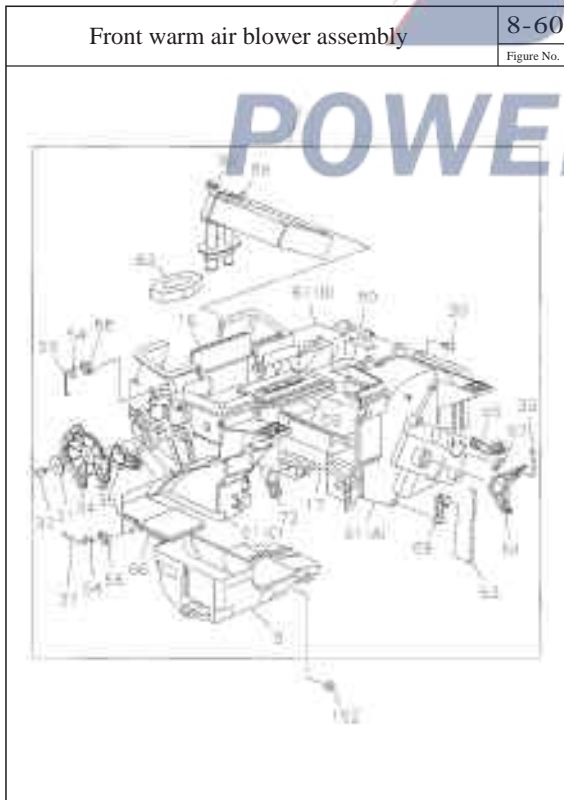
### Catalogue of 4KH1 - TC engine



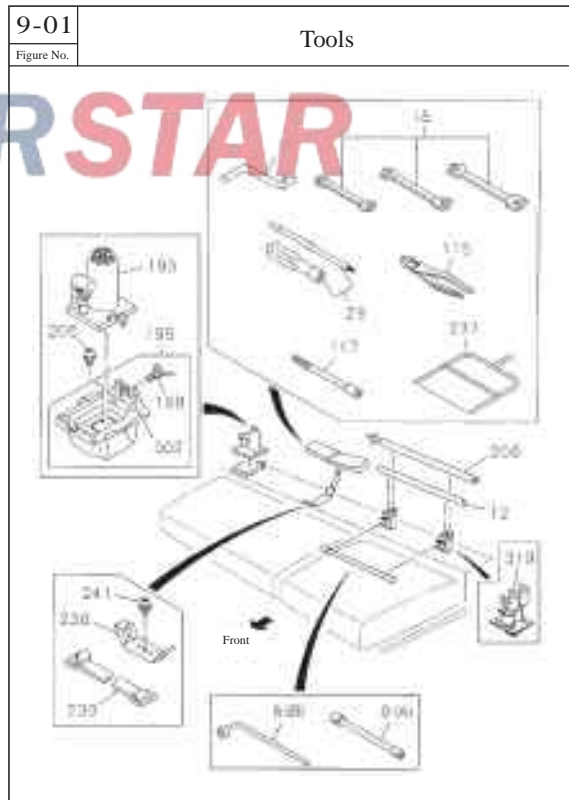
P- 638



P- 639



P- 643



P- 648

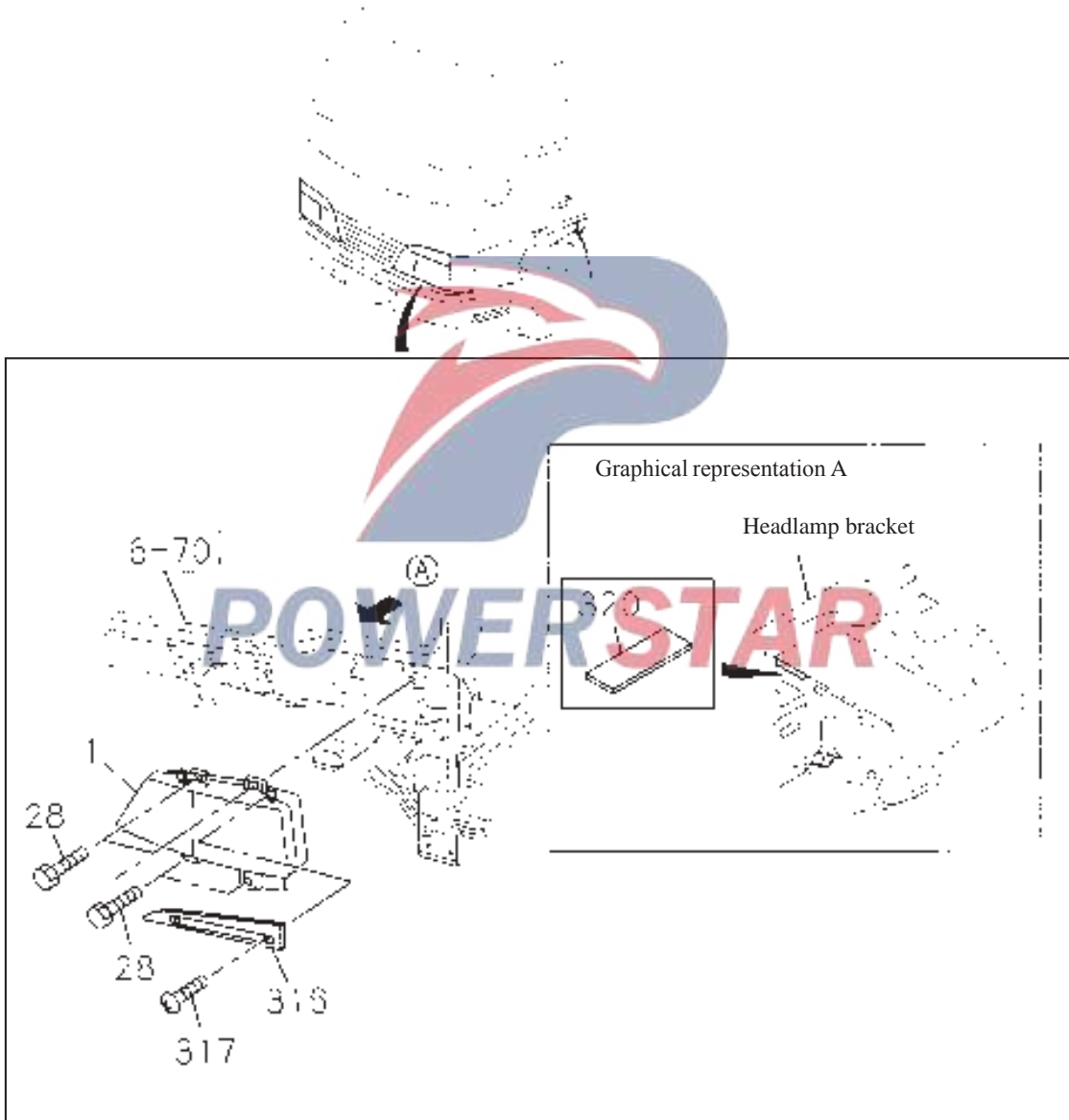


P-559

8-01

Headlights and sidelights  
Headlamp and decorating parts (NO.1)

Figure No.

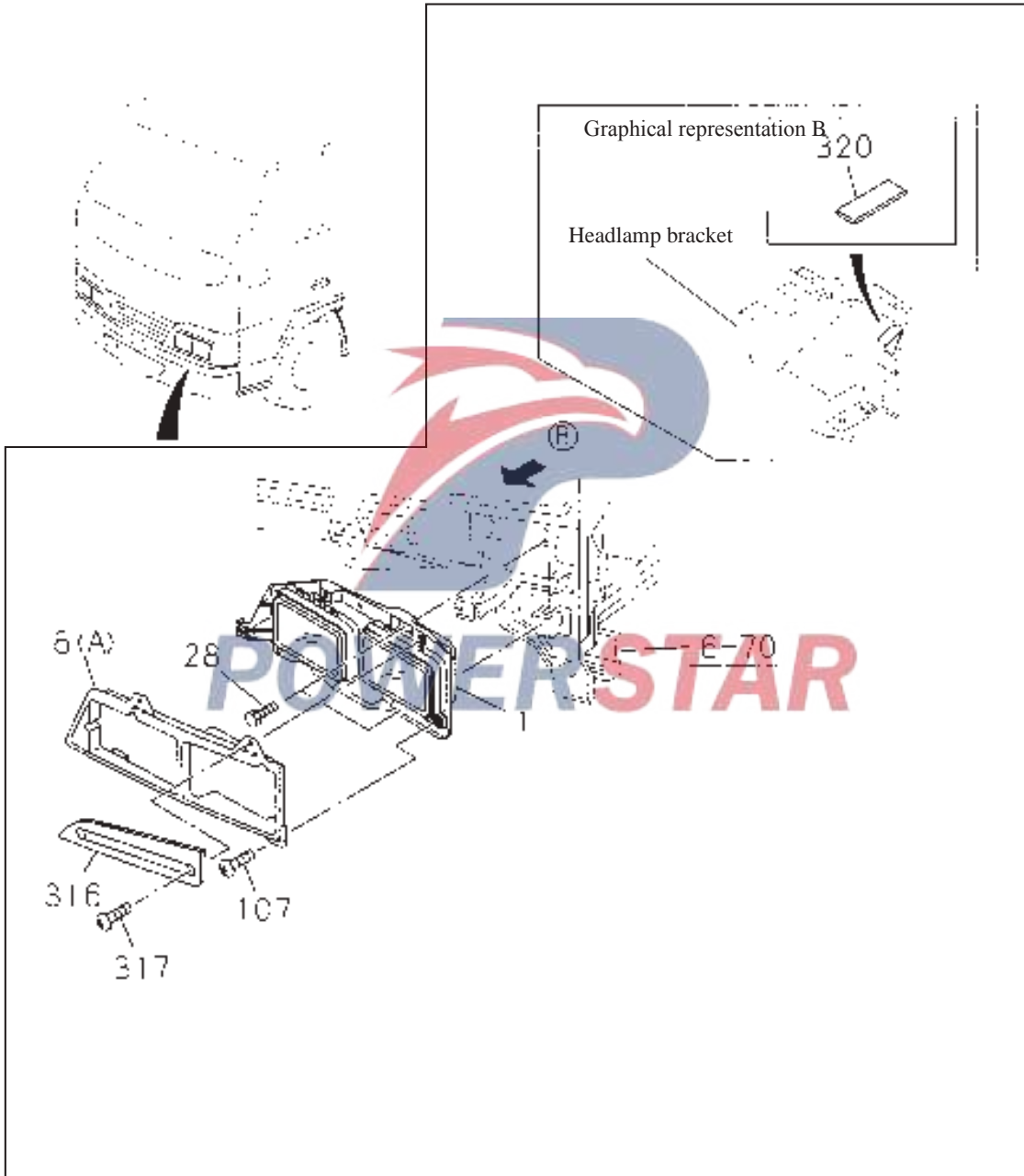


# Headlights and sidelights

## Headlamp and decorating parts (NO.2)

8-01

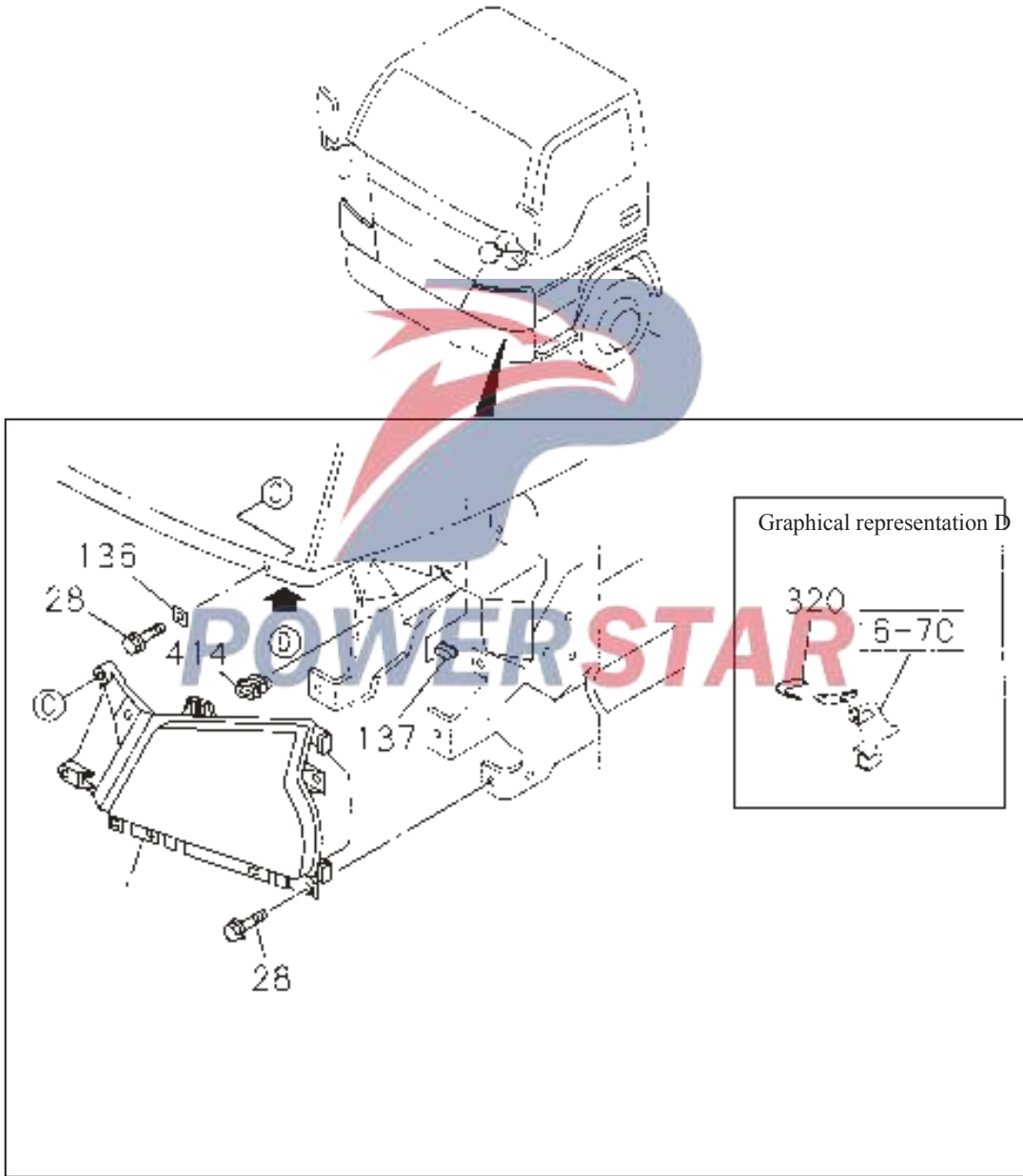
Figure No.



# 8-01

## Headlights and sidelights Headlamp and decorating parts (NO.3)

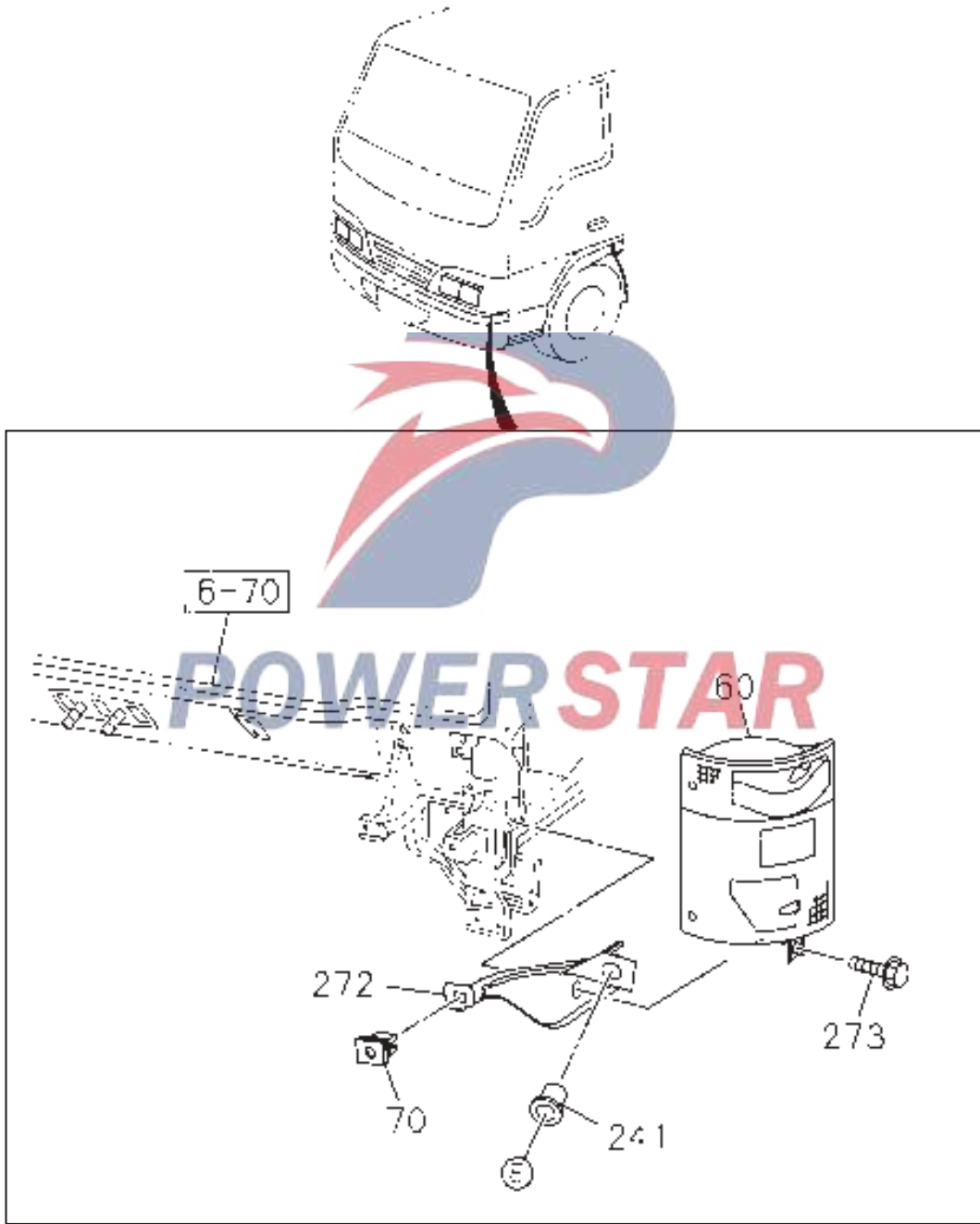
Figure No.



Headlights and sidelights  
Front combined lamp (NO.1)

8-01

Figure No.

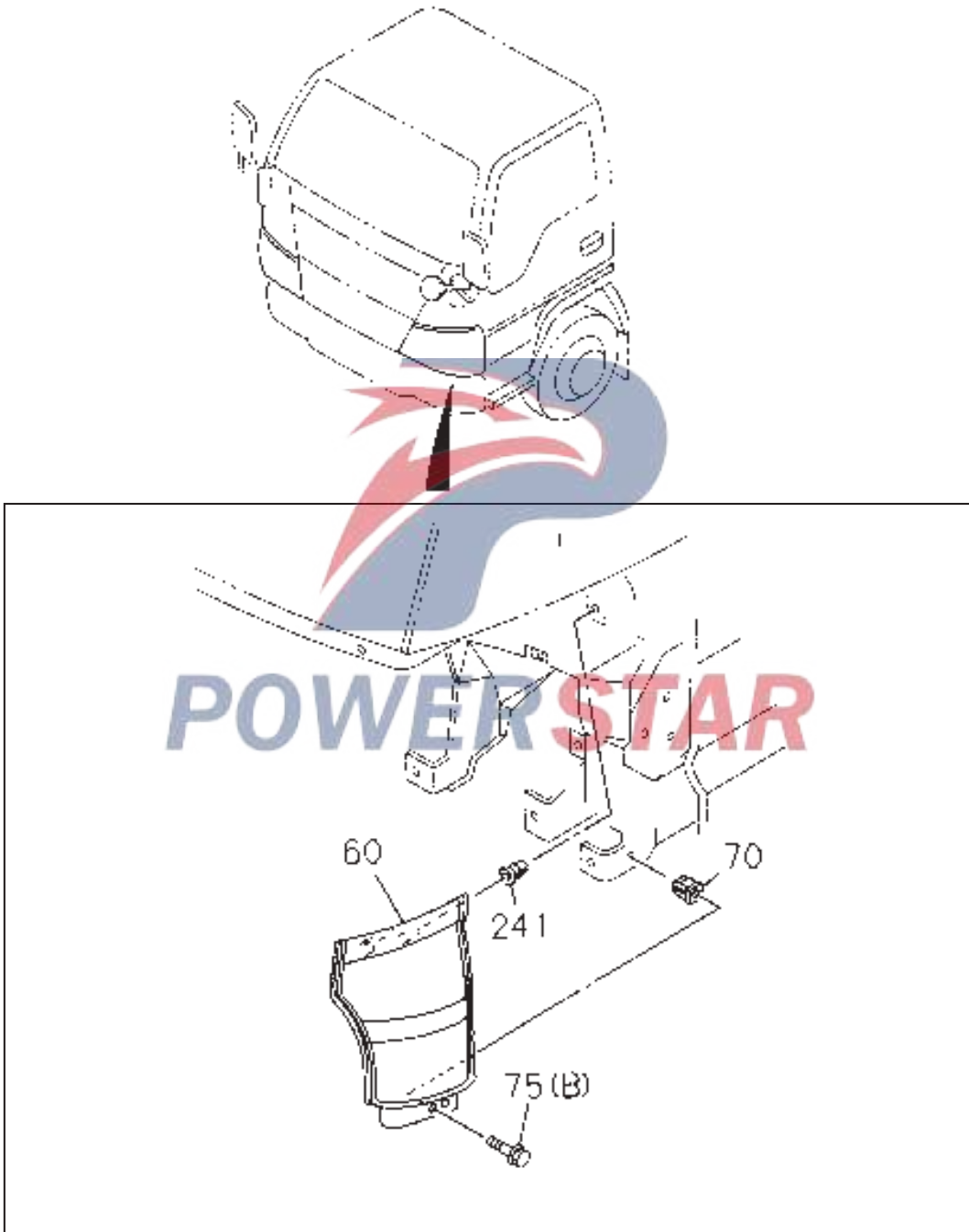


8-01

### Headlights and sidelights

Figure No.

Front combined lamp (NO.2)



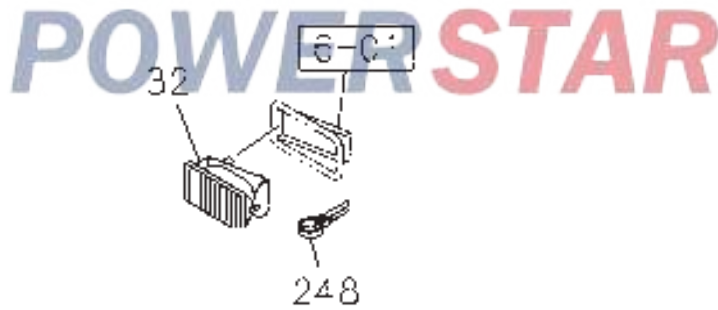
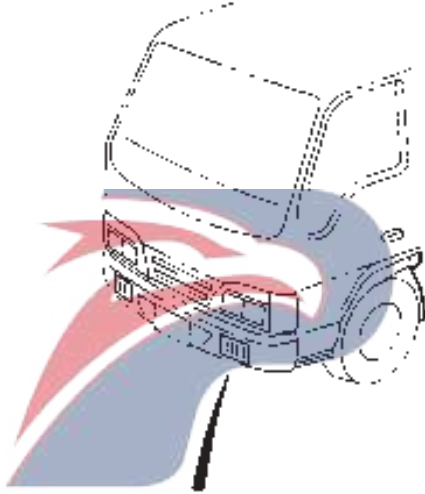
P-564



Headlights and sidelights  
Front fog lamp

8-01

Figure No.



8-01		Headlamp assembly				
Figure No.						
S/N	Recommended specification / name of part					
	Isuzu figure No.	QingLing figure No.	Left/Right	Qty.	Applicable models / applicable status / notes	
A					B	C
1	<b>--- Headlamp assembly</b>					
	8-97369-570-3		Right	01	BCD Only 4KH1 engine	
	8-97369-571-3		Left	01	BCD Only 4KH1 engine	
	8-97855-046-4		Left	01	ABC Only for 4JB1 engine	
	8-97855-045-4		Right	01	ABC Only for 4JB1 engine	
6	<b>--- Jacket - Headlamp</b>					
	8-97581-088-0		Right	01	ABC Only for 4JB1 engine (A)	
	8-97581-089-0		Left	01	ABC Only for 4JB1 engine (A)	
28	<b>--- Bolt - Installation of headlamp</b>					
	8-94279-203-0	8405155-26		08	ABCD M6× 20	
32	<b>--- Fog lamp assembly</b>					
	8-97248-540-0		Left	01	ABCD	
	8-97248-539-0		Right	01	ABCD	
60	<b>--- Front combined lamp assembly</b>					
	8-97855-111-2		Left	01	ABC Only for 4JB1 engine	
	8-97855-110-2		Right	01	ABC Only for 4JB1 engine	
	8-98010-881-0		Right	01	BCD Only 4KH1 engine	
	8-98010-882-0		Left	01	BCD Only 4KH1 engine	

### Headlamp assembly

**8-01**

Figure No.

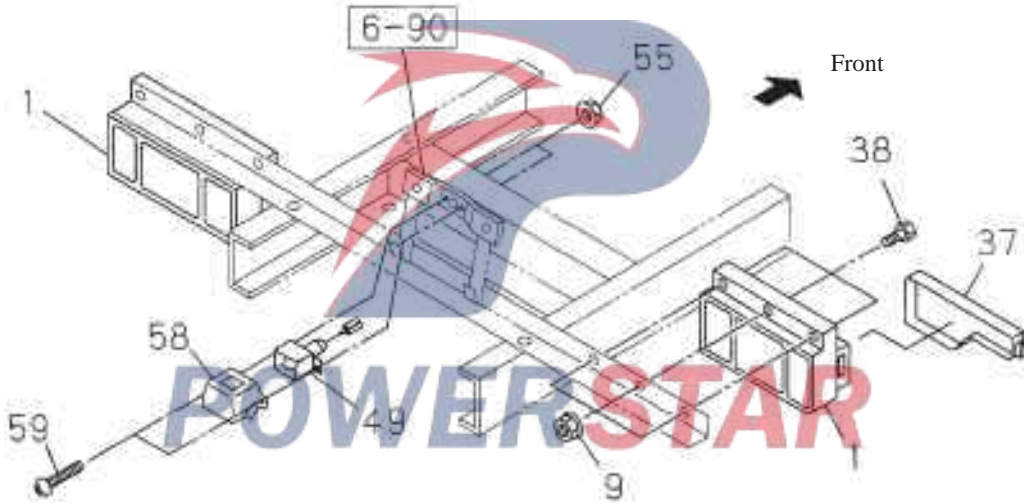
S/N	Recommended specification / name of part				
	Isuzu figure No.	QingLing figure No.	Left/Right	Qty.	Applicable models / applicable status / notes
					A B C D
70	<b>--- Washer nut - Front combined lamp bracket</b>				
	1-09983-081-0			02	BCD Only 4KH1 engine
	8-97380-030-0			02	BCD Only 4KH1 engine
	8-97030-792-0			04	ABC Only for 4JB1 engine
75	<b>--- Screw</b>				
	8-97374-995-0	8101252-803		02	BCD Only 4KH1 engine (B)
107	<b>--- Screw</b>				
	8-97326-998-0			04	ABC Only for 4JB1 engine M4× 20
136	<b>--- Sealing gasket - Headlight and bolt</b>				
	8-94272-533-0			02	BCD Only 4KH1 engine 25× 25
137	<b>--- Washer nut - Inner</b>				
	8-97581-666-0			02	BCD Only 4KH1 engine
241	<b>--- Washer nut - Front combined lamp</b>				
	8-97380-030-0			02	BCD Only 4KH1 engine
	8-94452-095-0			04	BC Only for 4JB1 engine
248	<b>--- Clip</b>				
	5-09700-321-0	2803227-803		02	ABCD Inside diameter =20

8-01		Headlamp assembly				
Figure No.						
S/N	Recommended specification / name of part					
	Isuzu figure No.	QingLing figure No.	Left/Right	Qty.	Applicable models / applicable status / notes	
A					Wheelbase 2490mm	
				B	Wheelbase 2765mm	
				C	Wheelbase 3360mm	
				D	Wheelbase 3815mm	
272	--- Bracket					
	8-97853-237-2	8101331-803	Left	01	ABC	Only for 4JB1 engine
	8-97853-236-2	8101341-803	Right	01	ABC	Only for 4JB1 engine
273	--- Bolt					
	8-94279-201-0			02	ABC	Only for 4JB1 engine M6×16
316	--- Headlamp decorating parts					
	8-97863-623-0		Left	01	ABC	Only for 4JB1 engine
	8-97855-009-4		Right	01	ABC	Only for 4JB1 engine
317	--- Screw - Headlamp decorating parts					
	8-97326-998-0			04	ABC	Only for 4JB1 engine M4×20
320	--- Sealing strip - Headlamp					
	8-97850-499-1			01	ABCD	
320	--- Washer nut - Outer					
	8-97581-667-0			02	BCD	Only 4KH1 engine

# Rear license plate lamp and rear compound lamp

8-03

Figure No.

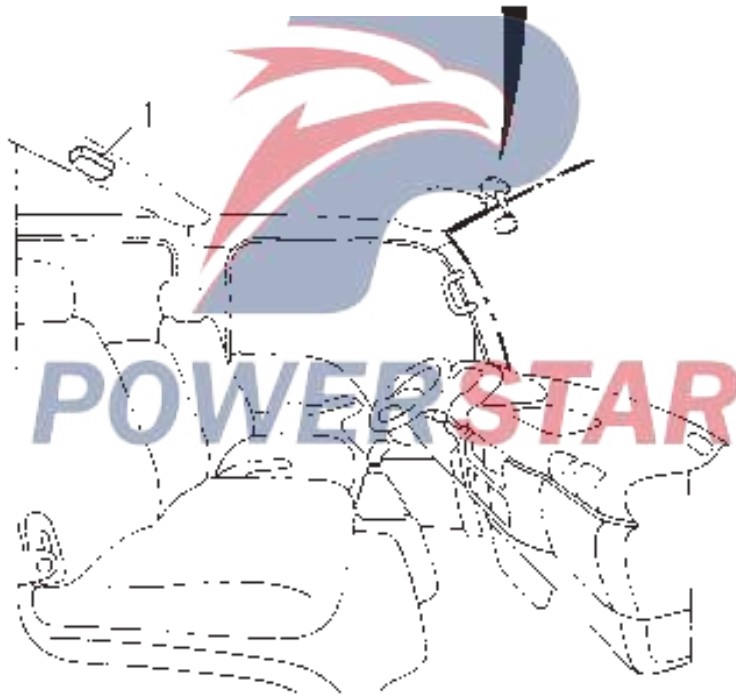
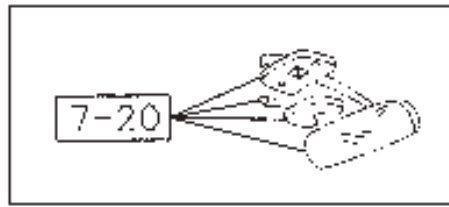


8-03		Rear license plate lamp and rear compound lamp				
Figure No.						
S/N	Recommended specification / name of part					
	Isuzu figure No.	QingLing figure No.	Left/Right	Qty.	Applicable models / applicable status / notes	
A					Wheelbase 2490mm	
					B	Wheelbase 2765mm
					C	Wheelbase 3360mm
					D	Wheelbase 3815mm
1	--- Rear combined lamp assembly					
	8-97213-345-0	3773010-802	Left	01	ABCD	With rear fog lamp
	8-97213-344-0	3773020-10	Right	01	ABCD	
9	--- Lock nut - Rear combined lamp assembly					
	5-09440-004-0	Q33006		06	ABCD	M6
37	--- Rear combined lamp cover					
	8-94128-858-2	3773052-10	Left	01	ABCD	
	8-94129-274-2	3773051-802	Right	01	ABCD	
38	--- Bolt - Installation of rear combined lamp					
	8-94402-623-0	3724558-803		06	ABCD	M6× 20
49	--- License plate lamp assembly					
	5-82120-020-0			01	ABCD	12V 10W
55	--- Nut - Installation of license plate lamp					
	8-94153-039-0	Q33005		02	ABCD	M5
58	--- Lampshade - Rear license plate lamp					
	8-97076-590-1			01	ABCD	
59	--- Combination bolt - Bracket of license plate lamp					
	9-93490-520-0	Q2300520		02	ABCD	M5× 20

Indoor lamp

8-05

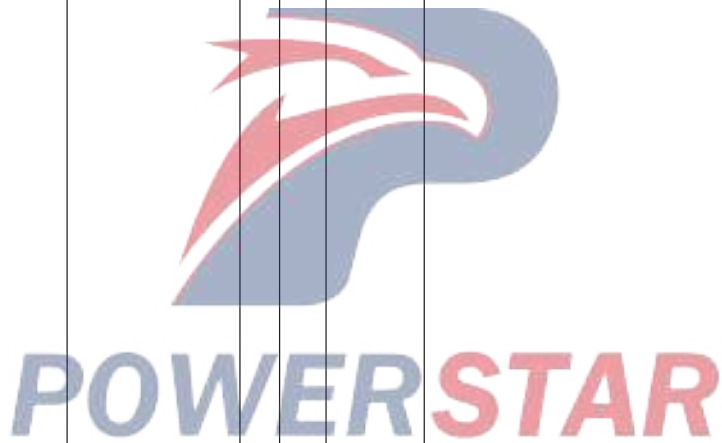
Figure No.



P-571



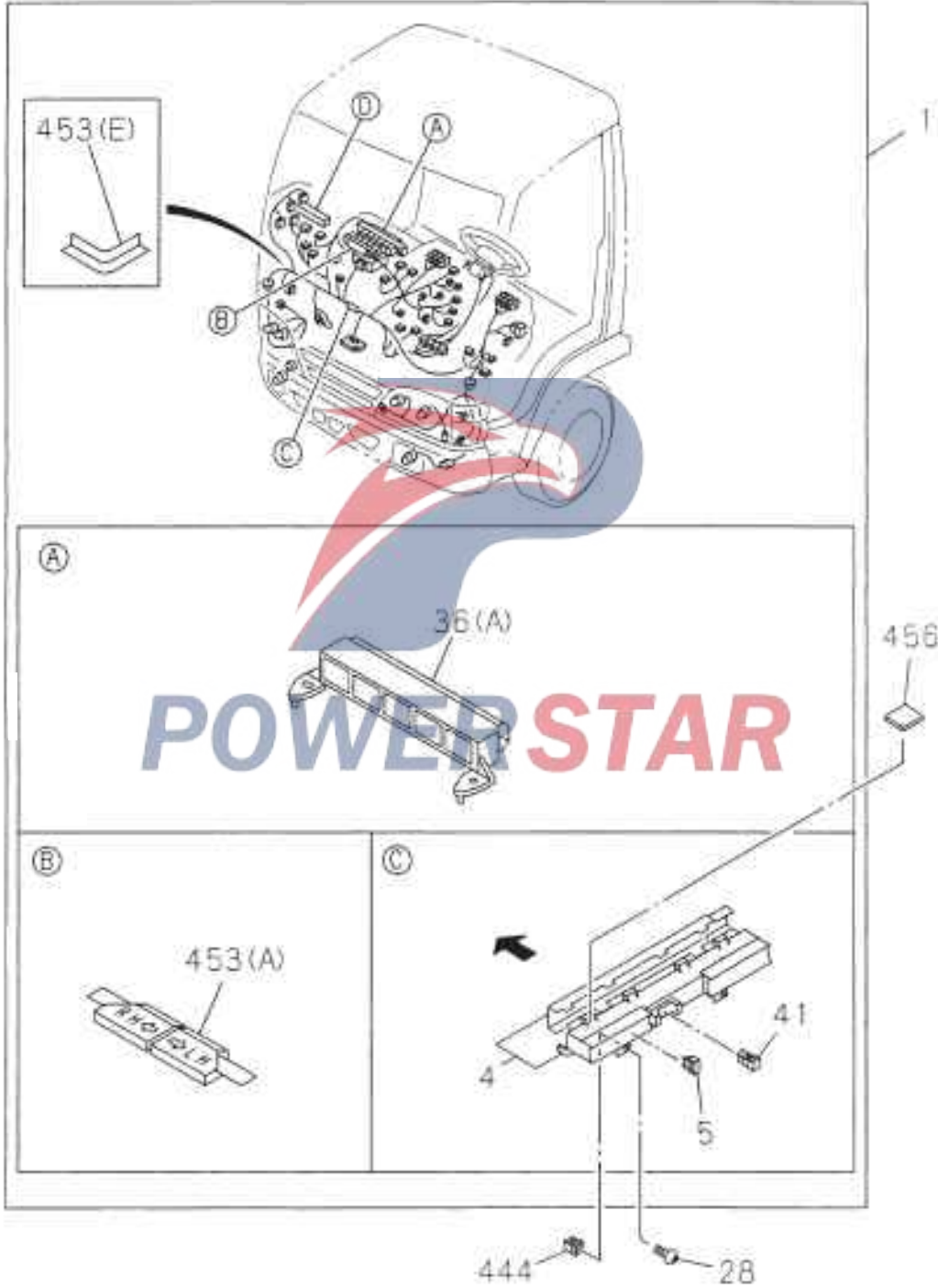
8-05		Indoor lamp				
Figure No.						
S/N	Recommended specification / name of part					
	Isuzu figure No.	QingLing figure No.	Left/Right	Qty.	Applicable models / applicable status / notes	
A					Wheelbase 2490mm	
					B	Wheelbase 2765mm
					C	Wheelbase 3360mm
					D	Wheelbase 3815mm
1	--- Room light assembly					
	8-97080-774-1	3714210-26		01	BCD 4KH1 engine, only for crew-cab ABC 4JB1 engine, only for crew-cab 12V 10W	



# Wire harness and fuse Cab harness

8-10

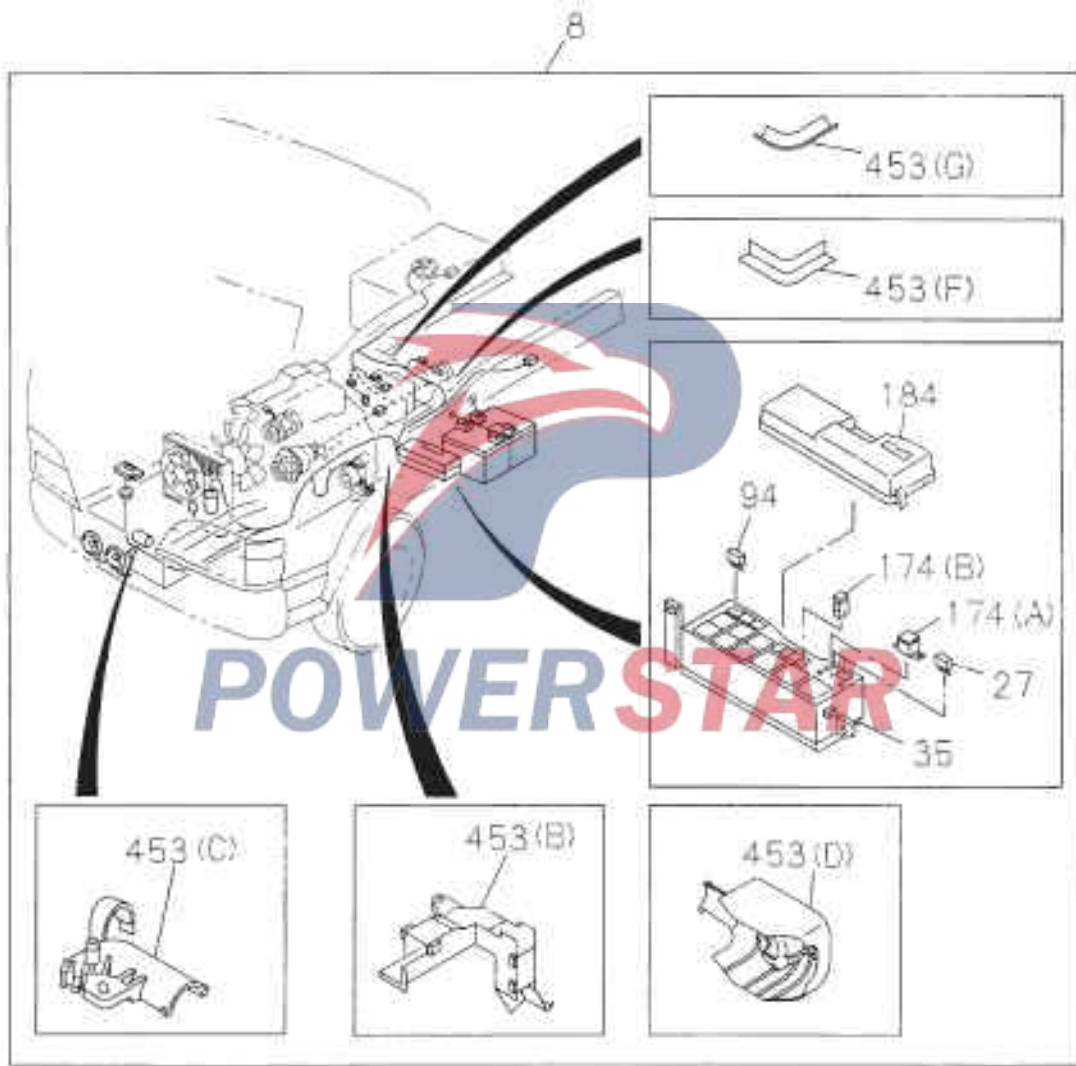
Figure No.



# 8-10

## Wire harness and fuse Cab harness

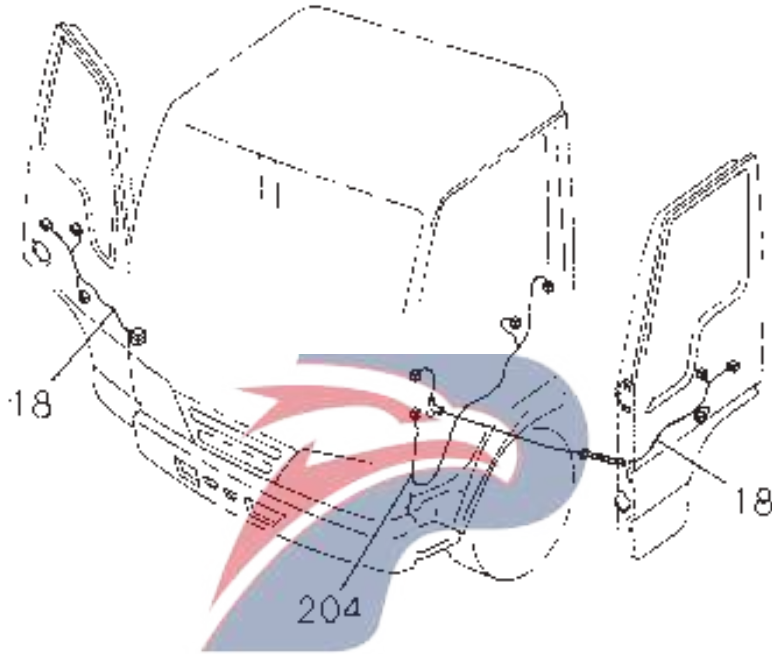
Figure No.



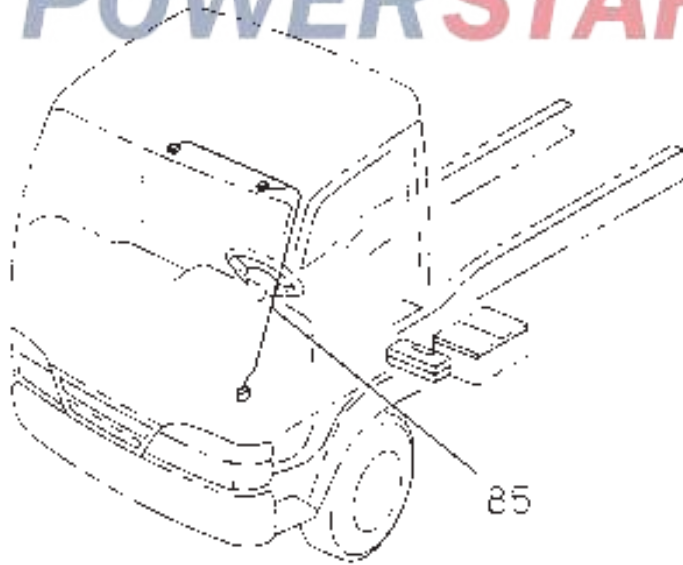
Wire harness and fuse  
Cab harness

8-10

Figure No.



**POWERSTAR**

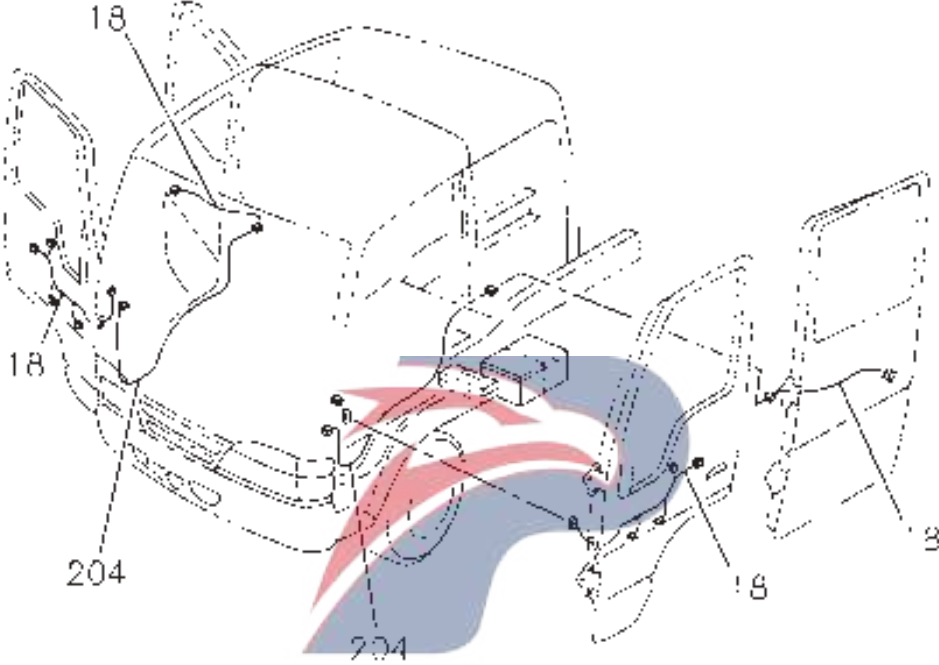


8-10

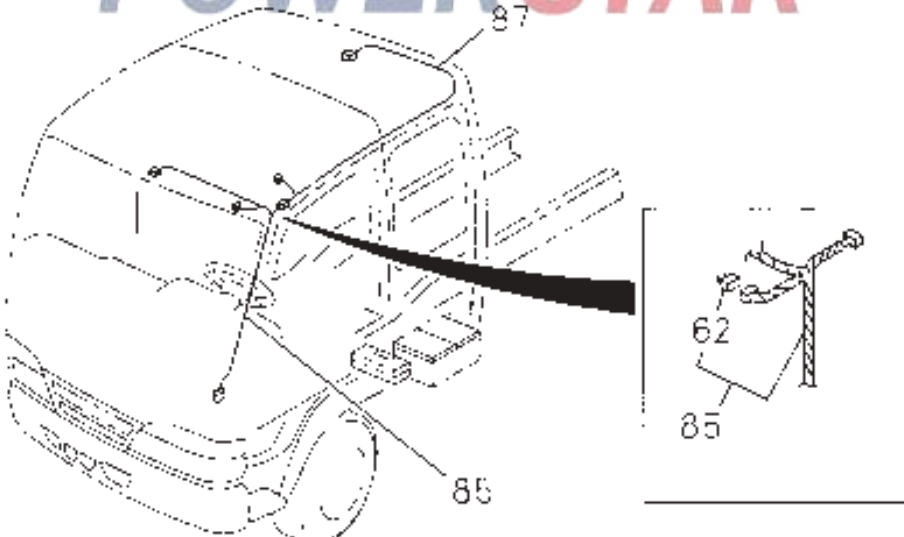
Wire harness and fuse

Figure No.

Cab harness



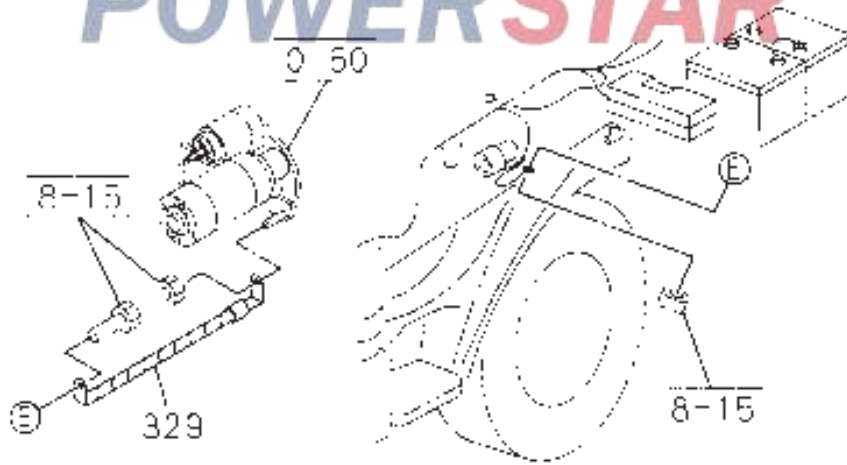
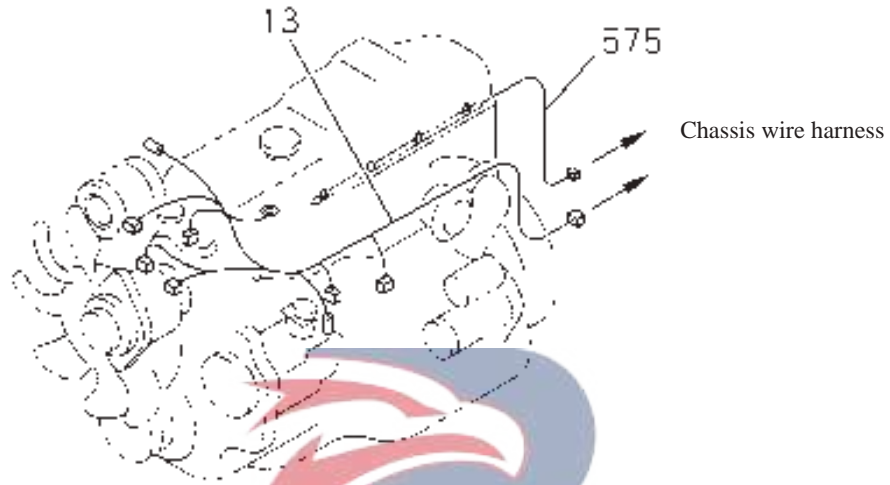
**POWERSTAR**



Wire harness and fuse  
Cab harness

8-10

Figure No.

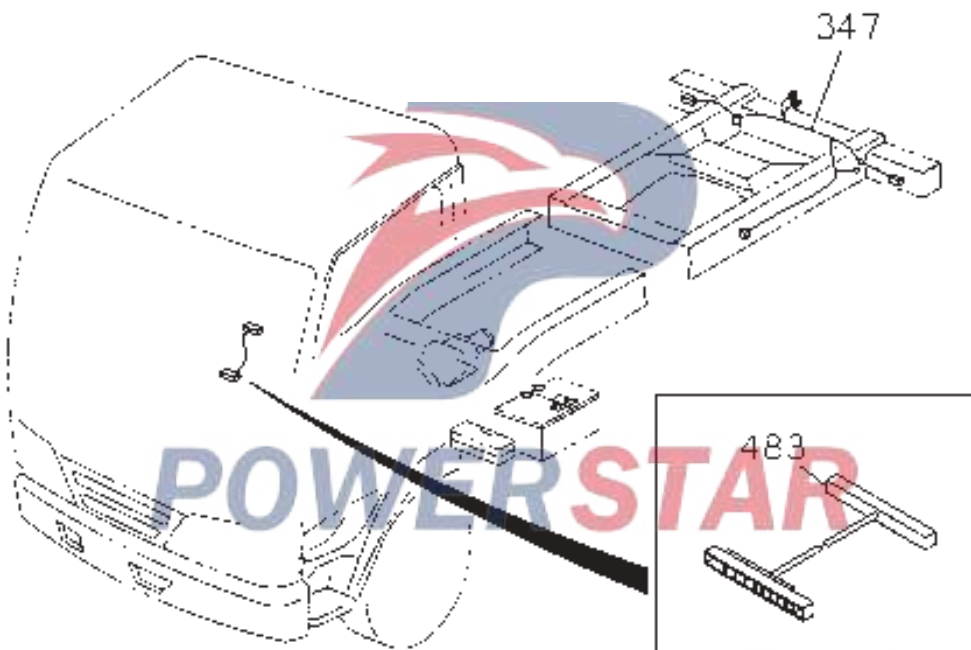


8-10

### Wire harness and fuse

Figure No.

Cab harness



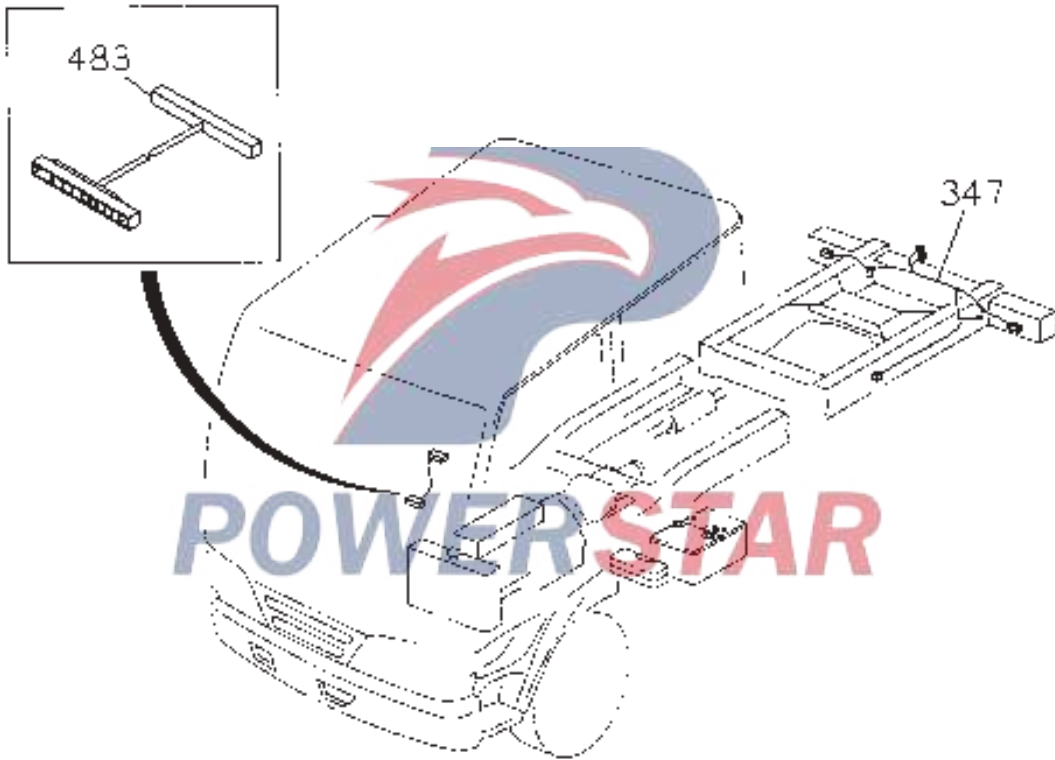
P-578



Wire harness and fuse  
Cab harness

8-10

Figure No.



8-10		Wire harness and fuse				
Figure No.		Cab harness				
S/N	Recommended specification / name of part					
	Isuzu figure No.	QingLing figure No.	Left/Right	Qty.	Applicable models / applicable status / notes	
A					Wheelbase 2490mm	
				B	Wheelbase 2765mm	
				C	Wheelbase 3360mm	
				D	Wheelbase 3815mm	
1	--- Harness - Body assembly					
	8-97373-155-1	3724440-850		01	BCD	Only 4KH1 engine
	8-97373-494-0	3724440-803		01	ABC	With rear fog lamp
2	--- Diode - Body harness					
	8-94422-639-1			As required	ABCD	(B) 2P-1.5A Black
	8-94422-640-1			As required	ABCD	(A) 3P-1.5A Black
4	--- Fuse box assembly - Harness					
	8-97214-415-0			01	ABC	Only 4JB1 engine
5	--- Fuse - Instrument panel harness					
	5-82516-002-0			As required	ABCD	10A Red
	5-82516-003-0			As required	ABCD	15A Blue
	5-82516-005-0			As required	ABCD	25A Translucent
8	--- Chassis harness assembly					
	8-97356-304-1	3724390-803		01	ABC	Only 4JB1 engine
	8-97362-920-2	3724390-850		01	BC	Only 4KH1 engine single cab
		3724390-856		01	BC	Only 4KH1 engine crew cab
		3724390-861		01	D	Only 4KH1 engine single-cab wide-bodied vehicle model
		3724390-864		01	D	Only 4KH1 engine crew cab

Wire harness and fuse  
Cab harness

8-10

Figure No.

S/N	Recommended specification / name of part				
	Isuzu figure No.	QingLing figure No.	Left/Right	Qty.	Applicable models / applicable status / notes
					A B C D
13	<b>--- Engine harness assembly</b>				
	8-97218-750-0	3724330-803		01	ABC Only for 4JB1 engine
	8-97240-032-5	3724330-850		01	BCD Only 4KH1 engine
18	<b>--- Door harness</b>				
	8-97105-571-1		Left	01	ABCD Front door
	8-97226-671-1		Right	01	ABCD Front door
	8-97075-738-2			02	ABCD Rear door
27	<b>--- General fuse</b>				
	5-82516-003-0			As required	ABCD 15A Blue
28	<b>--- Screw - Fuse box</b>				
	0-74310-516-0			02	ABCD M5×16
35	<b>--- Box - Relay and fuse</b>				
	8-97063-150-1			01	ABC Only for 4JB1 engine
36	<b>--- Box - Relay</b>				
	8-97087-640-1			01	ABC Only for 4JB1 engine (A)
41	<b>--- Clamp - Fuse</b>				
	8-94121-482-0			01	ABCD Length = 253 Width = 11.5
62	<b>--- Diode - Harness</b>				
	8-94422-639-1			01	ABCD 2P-1.5A Black

8-10		Wire harness and fuse				
Figure No.		Cab harness				
S/N	Recommended specification / name of part					
	Isuzu figure No.	QingLing figure No.	Left/Right	Qty.	Applicable models / applicable status / notes	
A					Wheelbase 2490mm	
					B	Wheelbase 2765mm
					C	Wheelbase 3360mm
					D	Wheelbase 3815mm
85	--- Harness - Indoor lamp					
	8-97164-610-2	3724460-850		01	BCD	4KH1 engine, only for single cab
					ABC	4JB1 engine, only for single cab
	8-97162-624-3	3724460-801		01	BCD	4KH1 engine, only for crew-cab
					ABC	4JB1 engine, only for crew cab
87	--- Harness - Indoor lamp (Rear part)					
	8-97075-747-0	3724480-801		01	BCD	4KH1 engine, only for crew-cab
					ABC	4JB1 engine, only for crew cab
94	--- Diode - Chassis wire harness					
	8-94422-640-1			01	ABCD	3P-1.5A Black
174	--- Fuse					
	8-94388-305-1			As required	ABCD	(A) 80A Black
	8-94468-663-0			As required	ABCD	(B) 50A Red
	8-94468-664-0			As required	ABCD	(B) 60A Yellow
184	--- Cover - Relay and fuse box					
	8-97063-152-1			01	ABCD	

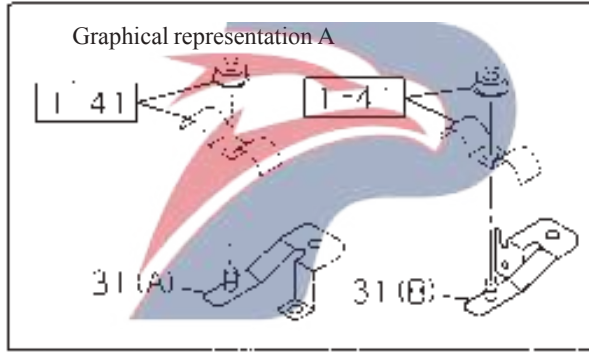
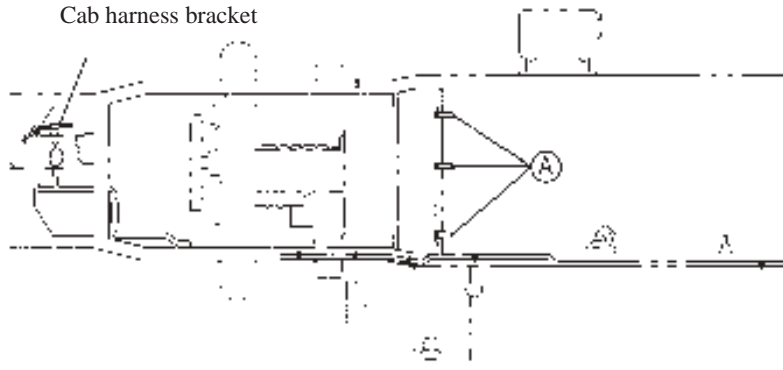
Wire harness and fuse						8-10
Cab harness						Figure No.
S/N	Recommended specification / name of part					
	Isuzu figure No.	QingLing figure No.	Left/Right	Qty.	Applicable models / applicable status / notes	
A					Wheelbase 2490mm	
					B	Wheelbase 2765mm
					C	Wheelbase 3360mm
					D	Wheelbase 3815mm
204	<b>--- Harness – Driver side</b>					
	8-97373-497-0	3724450-850		01	BCD	4KH1 engine, only for single cab
					ABC	4JB1 engine, only for single cab
	8-97162-632-2	3724450-801		01	BCD	4KH1 engine only crew cab and auxiliary seat side
					ABC	4JB1 engine only crew cab and auxiliary seat side
	8-97373-496-0	3724470-801		01	BCD	4KH1 engine, only for crew-cab
					ABC	4JB1 engine, only for crew cab
329	<b>--- Harness - Starter bonding</b>					
	8-97260-486-0	3724310-803		01	ABC	Only for 4JB1 engine
	8-97305-771-0	3724310-850		01	BCD	Only for 4JB1 engine
347	<b>--- Rear combined lamp harness</b>					
	8-97356-373-0	3724430-803		01	BCD	4KH1 engine (except the single-cab wide-bodied vehicle model with wheelbase of 3815)
					ABC	4JB1 engine (crew-cab vehicle model with wheelbase of 2490 and crew-cab vehicle model with wheelbase of 2765)
	8-97357-190-0	3724430-801		01	AB	4JB1 engine (crew-cab vehicle model with wheelbase of 2490 and crew-cab vehicle model with wheelbase of 2765)
		3724430-861/A		01	D	4KH1 engine (only apply to the single-cab wide-bodied vehicle model with wheelbase of 3815)
444	<b>--- Hole guard ring - Fuse box</b>					
	8-94279-078-0			02	ABCD	Outer diameter =8×8 Length =7.5 M5
453	<b>--- Protective jacket - Harness</b>					
	8-94417-716-0			01	BCD	Only 4KH1 engine (F)

8-10		Wire harness and fuse				
Figure No.		Cab harness				
S/N	Recommended specification / name of part					
	Isuzu figure No.	QingLing figure No.	Left/Right	Qty.	Applicable models / applicable status / notes	
A					Wheelbase 2490mm	
					B	Wheelbase 2765mm
					C	Wheelbase 3360mm
					D	Wheelbase 3815mm
453	--- Protective jacket - Harness					
	8-94482-169-0			01	BCD	Only 4KH1 engine (G)
	8-94452-553-0			01	ABC	Only 4JB1 engine (E)
	8-97074-957-0			01	ABC	Only 4JB1 engine (A)
	8-97093-668-1			01	ABC	Only 4JB1 engine (C)
	8-97120-589-0			01	ABC	Only 4JB1 engine (B)
	8-97062-169-0			01	ABC	Only 4JB1 engine (D)
456	--- Gasket - Fuse box					
	8-94270-366-2			01	ABCD	15×30 Thickness =5
483	--- Wireless harness					
	8-97373-419-0			01	ABCD	
575	--- Preheating harness					
	8-97212-328-0	3724340-803		01	ABCD	

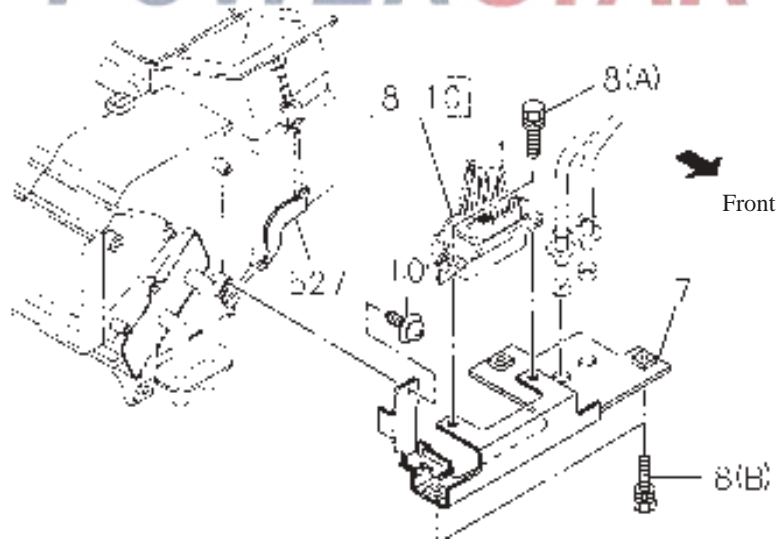
# Fixed parts for wire harness installation

8-15

Figure No.



# POWERSTAR

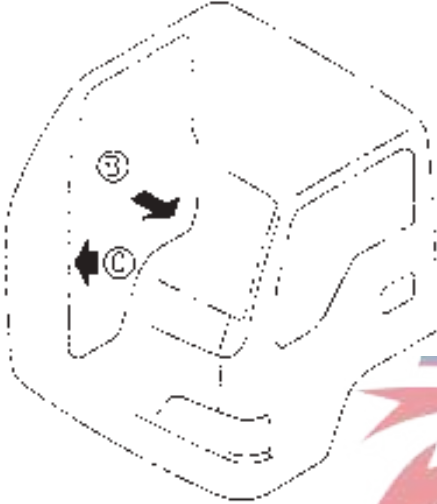




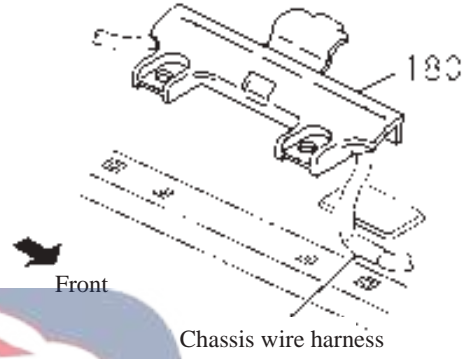
# 8-15

## Fixed parts for wire harness installation

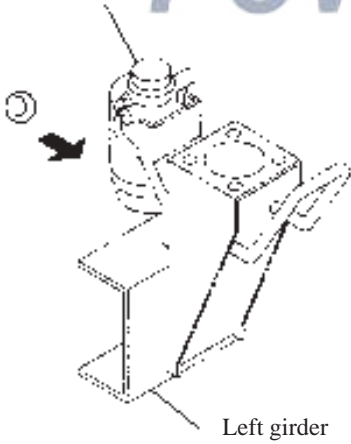
Figure No.



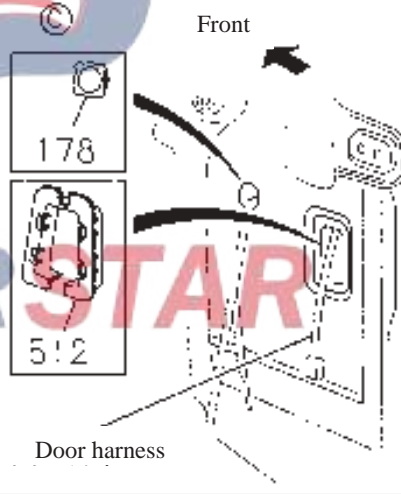
Graphical representation B



Oil-water separator



Front



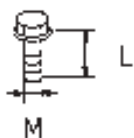
Graphical representation D



Fixed parts for wire harness installation  
Bolt and screw

8-15

Figure No.

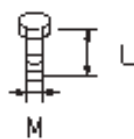


Bolt

Specification	M5× 16	M6× 10	M6× 16	M6× 20	M6× 25
Label	38(A)	150(C)	8(A)	38(C)	38(D) 150(B)

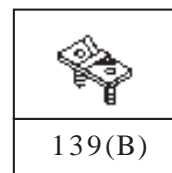
Specification	M8× 12	M8× 16	M8× 20	M8× 25	M8× 35
Label	150(A)	139(C)	377	8(B) 38(B)	466

**POWERSTAR**



Bolt

Bolt



Specification	M6× 16	M8× 16	M8× 25
Label	386(A)	386(B)	159



Screw

Specification	M4× 16	M5× 14	M5× 16
Label	64	511	10

# 8-15

## Fixed parts for wire harness installation

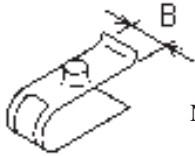
Figure No.

Nut



Nut

Specification	M5	M6	M8	M10	M12
Label	219(A)	219(B) 294(A) 515	219(C) 469 524	294(B)	519



Nut

Specification	B=13
Label	219(D)



# POWERSTAR

Fixed parts for wire harness installation  
Clamping piece (NO.1)

8-15

Figure No.



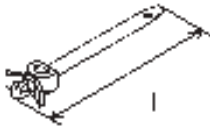
Specification	Length = 140	Length = 250
Label	16(I) 48(D) 162 220	16(G)



Specification	Length = 135	Length = 170.3
Label	205	48(I) 142



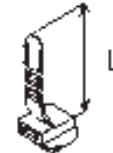
Specification	Length = 100
Label	16(E)



Specification	Length = 90
Label	488



Specification	Length = 197
Label	483(A)



Specification	Length = 155
Label	16(F)

# 8-15

## Fixed parts for wire harness installation

Figure No.

Clamping piece (NO.2)



Specification	Length = 80
Label	16(C)



Specification	Inside diameter =19
Label	48(A)



Specification	Inside diameter =14	Inside diameter =27	Inside diameter 33
Label	16(H) 48(C) 52	48(L)	48(B)

**POWERSTAR**



Specification	Inside diameter =20	Inside diameter =32
Label	48(M)	48(H)



Specification	Inside diameter =31.5
Label	48(G)



Specification	Thickness =5.5
Label	48(E)

Fixed parts for wire harness installation  
Clamping piece (NO.3)

8-15

Figure No.



Specification	Inside diameter =11	Inside diameter =16	Inside diameter =31
Label	483(C)	483(B)	48(F)



Specification	Inside diameter =30
Label	48(K)



Specification	Inside diameter =7
Label	16(D)



Specification	Inside diameter =12	Inside diameter =6.5
Label	16(N)	49

Specification	Inside diameter =22 and 22
Label	16(K)



Specification	Thickness =4.5 and 9	Thickness =4.5 and 13
Label	48(N)	48(O)

# 8-15

## Fixed parts for wire harness installation

### Clamping piece (NO.4)

Figure No.



Specification	Inner diameter=6 and 10-13
Label	16(L) 264(B)



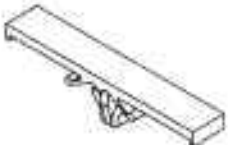
Specification	Inner diameter=10 and 16
Label	16(J) 264(A)



Specification	Length = 100
Label	16(A)



Specification	Inside diameter =15-32
Label	16(M)



Specification	Length = 60
Label	16(B)



Specification	Inside diameter =9
Label	48(J)



Specification	Inside diameter =6.5
Label	464



Specification	Inside diameter =7
Label	397



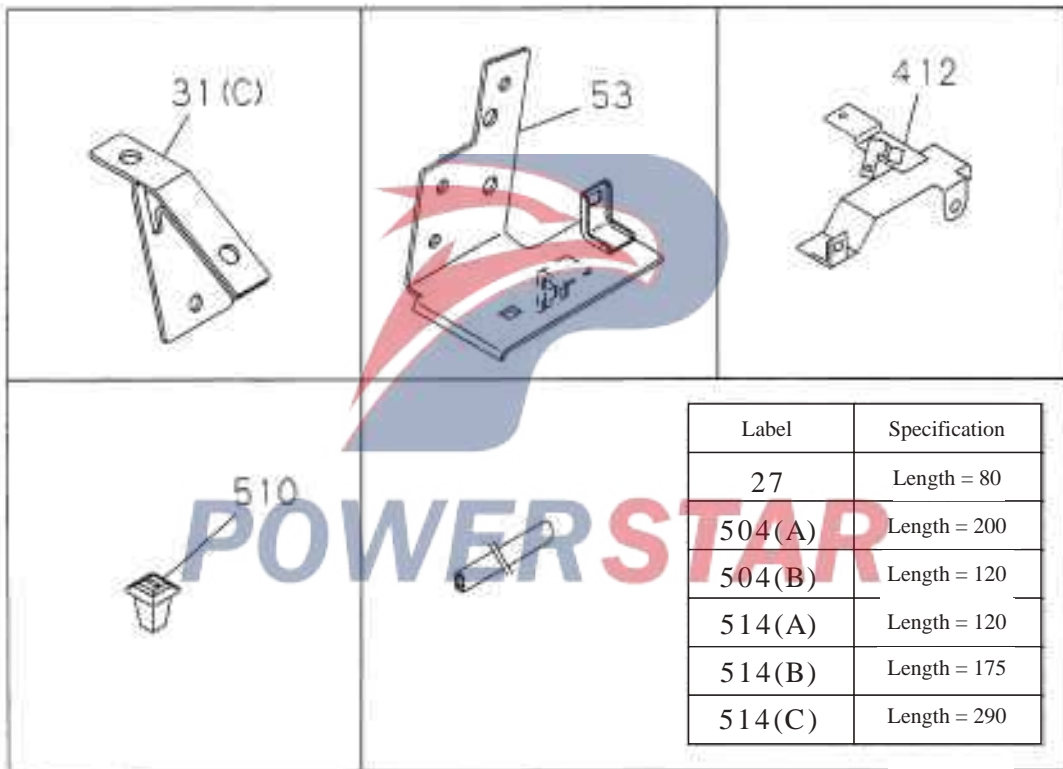
183
-----



Fixed parts for wire harness installation  
Bracket

8-15

Figure No.



8-15		Fixed parts for wire harness installation				
Figure No.						
S/N	Recommended specification / name of part					
	Isuzu figure No.	QingLing figure No.	Left/Right	Qty.	Applicable models / applicable status / notes	
A					B	C
7	--- Bracket - Harness assembly socket					
	8-97102-247-2	372450-850		01	ABCD	
8	--- Bolt - Harness assembly socket to bracket					
	0-28680-825-0	Q1840825		03	ABCD (B) M8× 25	
	8-94279-201-0	8203124-803		02	ABCD (A) M6× 16	
10	--- Screw					
	0-74310-516-0	6205113-803		03	ABCD M5× 16	
16	--- Fixing clamping piece					
	1-09987-214-0	3724475-803		As required	BCD 4KH1 engine, only for crew-cab ABC 4JB1 engine, only for crew cab (D)	
	5-09700-319-0	1303101-803		As required	1 Quintuple pipe clamp=5 BCD 4KH1 engine ABC 4JB1 engine (H)	
	5-09707-030-1	1101421-803		As required	Inside diameter =14 Only for 4JB1 engine (G)	
	5-09707-031-1	3724551-803		As required	Length = 250 Only for 4KH1 engine (I) Length = 140	

### Fixed parts for wire harness installation

8-15

Figure No.

S/N	Recommended specification / name of part				
	Isuzu figure No.	QingLing figure No.	Left/Right	Qty.	Applicable models / applicable status / notes
					A Wheelbase 2490mm
					B Wheelbase 2765mm
					C Wheelbase 3360mm
					D Wheelbase 3815mm
16	--- Fixing clamping piece				
	8-94413-325-0			As required	ABC Only for 4JB1 engine (J) Inner diameter=10 and 16
	8-94464-837-0			As required	ABCD Clamping piece- vacuum hose (K) Inner diameter=22 and 22
	8-97069-515-0			As required	ABCD Fixation clamp-harness to instrument framework (L) Inner diameter=6, 10 and 13
	8-97174-404-0			As required	ABCD Fixation clamp-harness to instrument framework (M) Inner diameter= 15-32
	1-09987-214-0	3724475-803		As required	BCD 4KH1 engine, only for crew-cab ABC 4JB1 engine, only for crew cab (D) 1 Quintuple pipe clamp=5
	5-09700-307-1	3724576-801		As required	ABC 4JB1 engine, only for crew cab (C) Length = 80
	8-97367-983-0	1306211-803		As required	ABC 4JB1 engine, only for crew cab (N) Inner diameter= 12
27	--- Protective jacket				
	5-22439-006-0			01	BCD 4KH1 engine, only for single cab 4KH1 engine, only for single cab

8-15		Fixed parts for wire harness installation				
Figure No.						
S/N	Recommended specification / name of part					
	Isuzu figure No.	QingLing figure No.	Left/Right	Qty.	Applicable models / applicable status / notes	
A					Wheelbase 2490mm	
					B	Wheelbase 2765mm
					C	Wheelbase 3360mm
					D	Wheelbase 3815mm
31	--- Bracket - Front wiring harness to triple beam					
	8-94165-263-1	3724410-803		01	ABC	Only for 4JB1 engine (A) Length = 20
	8-97077-845-0	3724420-803		02	ABC	Only for 4JB1 engine (B)
	8-97362-859-0	3724410-803		03	BCD	Only for 4KH1 engine (C)
38	--- Flange bolts					
	0-28680-625-0	Q1840625		01	ABC	4JB1 engine, only for crew cab (D) M6×25
	0-28680-625-0	Q1840625		02	ABCD	(D) M6×25
	0-28680-825-0	Q1840825		01	ABCD	(B) M8×25
	0-28680-620-0	Q1840620		01	ABC	Only for 4JB1 engine (C) M6×20
	0-28680-620-0	Q1840820		01	ABC	Only for 4JB1 engine (C) M8×20
48	--- Cable clamp					
	1-09987-182-0	3724568-803		As required	ABCD	(I) Length = 170

Fixed parts for wire harness installation

8-15

Figure No.

S/N	Recommended specification / name of part				
	Isuzu figure No.	QingLing figure No.	Left/Right	Qty.	Applicable models / applicable status / notes
					A B C D
48	--- Cable clamp				
	5-09700-319-0	1303101-803	As required	BCD	Only 4KH1 engine (C) Inside diameter =14
	5-09707-031-1	3724551-803	As required	BCD	Only for 4JB1 engine (D) Length = 140
	5-09709-023-0	1101423-803	As required	BCD	Only 4KH1 engine (N) Thickness =4.5 and 9
	8-97063-874-0	3724572-803	As required	ABCD	(J) Inside diameter =9
	1-09700-773-0	3724563-803	As required	ABC	Only for 4JB1 engine (A) Inside diameter =9 Height = 70 Length = 25
	1-09700-807-0	3724564-803	As required	ABCD	(B) Inside diameter =33 Length = 63
	1-09700-969-0	3724565-803	As required	ABCD	(F) Inside diameter =31 Length = 30
	1-09701-017-0	3724566-803	As required	ABCD	(G) Inside diameter =31.5 Height = 23 Length = 25
	1-09701-244-0	3724567-803	As required	ABCD	(H) Inside diameter =32 Length = 35

8-15		Fixed parts for wire harness installation					
Figure No.		Recommended specification / name of part					
S/N	Isuzu figure No.	QingLing figure No.	Left/Right	Qty.	Applicable models / applicable status / notes		
					A	Wheelbase 2490mm	
					B	Wheelbase 2765mm	
					C	Wheelbase 3360mm	
					D	Wheelbase 3815mm	
48	--- Cable clamp						
	5-09700-323-0	3724569-850		As required	BCD	Only 4KH1 engine (L) Inside diameter =27	
	5-09709-047-0	1101425-803		As required	ABC	Only for 4JB1 engine (E) Thickness = 5.5 Only for 4JB1 engine (K) Inside diameter =30	
	8-97078-642-2	3724573-803		As required	ABC		
	5-09709-023-0	1101423-803		As required	ABCD	(N) Thickness =4.5 and 9	
	5-09700-323-0	3724569-850		As required	BCD	Only 4KH1 engine (L) Inside diameter =27	
	5-09709-096-0	3724571-850		As required	BCD	Only 4KH1 engine (O) Thickness =4.5 and 13	
49	--- Cable clamp - Harness						
	5-09700-348-0	3724553-850		01	BCD	Only 4KH1 engine Inside diameter =6.5	
52	--- Cable clamp - Harness and bracket						
	5-09700-319-0	1303101-803		01	BCD	Only 4KH1 engine Inside diameter = 14	

Fixed parts for wire harness installation

8-15

Figure No.

S/N	Recommended specification / name of part				
	Isuzu figure No.	QingLing figure No.	Left/Right	Qty.	Applicable models / applicable status / notes
					A B C D
53	--- Bracket - Front wiring harness to triple beam				
	8-97357-140-0	3724420-850		01	BCD Only 4KH1 engine
64	--- Screw - Room light harness to floor				
	1-09981-477-0	6205123-801		01	BCD Only 4KH1 engine and crew cab
					ABC Only 4JB1 engine and crew cab
					M4×16
139	--- Flange bolts				
	0-28080-816-0	Q1840816		03	ABCD
					(A)
					M8×16
	8-97028-451-3	3724575-850		01	BCD Only 4KH1 engine, connecting bolt- triple beam
					(B)
142	--- Cable clamp - Front wiring harness to turnover rod				
	1-09987-182-0	3724568-803		01	B
					Length = 170.3
150	--- Bolt				
	0-28080-812-0	Q1840812		01	ABC Only for 4JB1 engine
					(A)
					M8×12
	0-28080-610-0	Q1840610		01	BCD Only 4KH1 engine
					(C)
					M6×10
	0-28080-625-0	Q1840625		01	ABCD
					(B)
					M6×25



8-15		Fixed parts for wire harness installation				
Figure No.		Recommended specification / name of part				
S/N	Isuzu figure No.	QingLing figure No.	Left/Right	Qty	Applicable models / applicable status / notes	
					A	Wheelbase 2490mm
					B	Wheelbase 2765mm
					C	Wheelbase 3360mm
					D	Wheelbase 3815mm
159	--- Combination bolt 8-97087-203-0	Q1460825		01	ABCD	M8×25
162	---Hoop band - Harness 5-09707-031-1	3724551-803		01	BCD	Only 4KH1 engine Length = 140
178	--- Hole guard ring - Room light cable clamp 8-94279-735-0	3724476-803		01	ABCD	Only 4KH1 engine
180	--- Press plate - Floor harness 8-97856-130-4	8200142-803		02	ABCD	
183	--- Fixation clamp - Connecting clamp 8-94315-436-1	5107236-801		02	ABC	Only 4JB1 engine and crew cab
205	--- Clip - Harness 1-09987-143-1			01	ABCD	Length = 135
219	--- Nut 0-91150-106-0	Q32006		01	ABCD	(B) M6
	0-91150-108-0	Q32008		01	ABC	Only 4JB1 engine (C) M8

Fixed parts for wire harness installation

8-15

Figure No.

S/N	Recommended specification / name of part																
	Isuzu figure No.	QingLing figure No.	Left/Right	Qty.	Applicable models / applicable status / notes												
					A B C D	Wheelbase 2490mm Wheelbase 2765mm Wheelbase 3360mm Wheelbase 3815mm											
219	<p>--- Nut</p> <table border="1"> <tr> <td>0-91150-106-0</td> <td>Q32006</td> <td></td> <td>02</td> <td>BCD</td> <td>Only 4KH1 engine (B) M6</td> </tr> <tr> <td>8-97108-658-0</td> <td>3724574-803</td> <td></td> <td>01</td> <td>ABCD</td> <td>(D)</td> </tr> </table>					0-91150-106-0	Q32006		02	BCD	Only 4KH1 engine (B) M6	8-97108-658-0	3724574-803		01	ABCD	(D)
0-91150-106-0	Q32006		02	BCD	Only 4KH1 engine (B) M6												
8-97108-658-0	3724574-803		01	ABCD	(D)												
220	<p>--- Hoop band - Harness</p> <table border="1"> <tr> <td>5-09707-031-1</td> <td>3724551-803</td> <td></td> <td>02</td> <td>BCD</td> <td>Only 4KH1 engine Length = 140</td> </tr> </table>					5-09707-031-1	3724551-803		02	BCD	Only 4KH1 engine Length = 140						
5-09707-031-1	3724551-803		02	BCD	Only 4KH1 engine Length = 140												
264	<p>--- Fixation clamp</p> <table border="1"> <tr> <td>8-94413-325-0</td> <td></td> <td></td> <td>02</td> <td>ABCD</td> <td>(A) Inside diameter = 10 and 16</td> </tr> <tr> <td>8-97069-515-0</td> <td></td> <td></td> <td>01</td> <td>ABCD</td> <td>(B) Inside diameter = 6 and 10-13</td> </tr> </table>					8-94413-325-0			02	ABCD	(A) Inside diameter = 10 and 16	8-97069-515-0			01	ABCD	(B) Inside diameter = 6 and 10-13
8-94413-325-0			02	ABCD	(A) Inside diameter = 10 and 16												
8-97069-515-0			01	ABCD	(B) Inside diameter = 6 and 10-13												
294	<p>--- Nut</p> <table border="1"> <tr> <td>0-91150-110-0</td> <td>Q32010</td> <td></td> <td>01</td> <td>ABCD</td> <td>(B) M10</td> </tr> <tr> <td>0-91150-106-0</td> <td>Q32006</td> <td></td> <td>01</td> <td>BCD</td> <td>4KH1 engine (A) M6</td> </tr> </table>					0-91150-110-0	Q32010		01	ABCD	(B) M10	0-91150-106-0	Q32006		01	BCD	4KH1 engine (A) M6
0-91150-110-0	Q32010		01	ABCD	(B) M10												
0-91150-106-0	Q32006		01	BCD	4KH1 engine (A) M6												
317	<p>--- Spring clamp</p> <table border="1"> <tr> <td>8-94441-365-0</td> <td></td> <td></td> <td>01</td> <td>ABCD</td> <td></td> </tr> </table>					8-94441-365-0			01	ABCD							
8-94441-365-0			01	ABCD													

8-15		Fixed parts for wire harness installation				
Figure No.						
S/N	Recommended specification / name of part					
	Isuzu figure No.	QingLing figure No.	Left/Right	Qty.	Applicable models / applicable status / notes	
A					Wheelbase 2490mm	
					B	Wheelbase 2765mm
					C	Wheelbase 3360mm
					D	Wheelbase 3815mm
377	--- Combination bolt					
	8-97086-825-0	Q1460820		01	ABCD	M8×20
386	--- Combination bolt - Cab bond strap					
	8-97087-055-0	Q1460616		01	BCD	Only 4KH1 engine (B) M8×16
	8-97086-823-0	Q1460816		01	ABC	Only for 4JB1 engine (A) M6×16
397	--- Clip - Rear wheel harness					
	8-97014-713-0			02	ABCD	Inside diameter =7
412	--- Bracket					
	8-97324-451-1			01	ABCD	
464	--- Cable clamp - Oil-water separator harness to bracket					
	8-94257-639-0	3724577803		01	ABCD	Inside diameter =6.5
466	--- Bolt - Fixation of relay harness bracket					
	0-28680-835-0	Q1840835		01	ABCD	M8×35
469	--- Nut - Fixation of relay harness bracket					
	0-91150-108-0	Q32008	Left	01	ABCD	M8

Fixed parts for wire harness installation

8-15

Figure No.

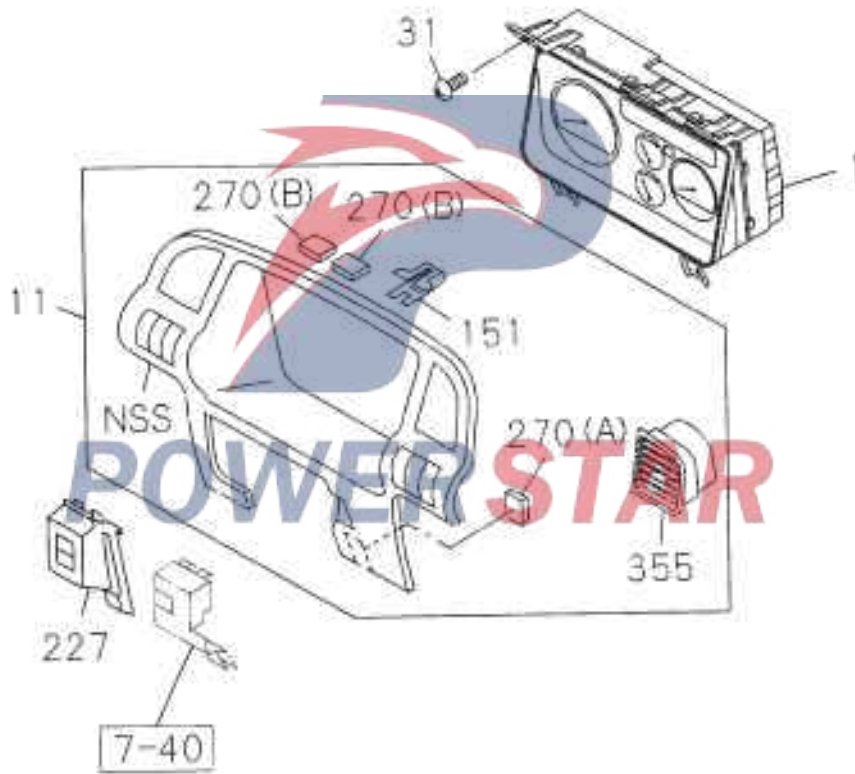
S/N	Recommended specification / name of part				
	Isuzu figure No.	QingLing figure No.	Left/Right	Qty.	Applicable models / applicable status / notes
					A B C D
483	<b>--- Hoop band - Engine harness</b>				
	1-83574-032-0	3724554-850		01	ABCD (A) Length = 197
	9-09525-035-0	Q68610F4		01	ABCD Single tube clamping piece (C) Inside diameter =11 Length = 20 Width =18
	9-09525-535-0	3724555-850		01	BCD Only 4KH1 engine (C) Inside diameter =11 Length = 20
488	<b>--- Hoop band - Fixation of rear combined lamp harness</b>				
	8-94232-618-0	3724578-803		04	ABCD Length = 90
504	<b>--- Jacket - Wiring harness</b>				
	8-97096-423-0	3724385-803		01	ABCD (A) Length = 200
510	<b>--- Washer nut - Rear plate of floor harness</b>				
	8-94463-268-1			04	ABCD Height = 15
511	<b>--- Screw</b>				
	0-74110-514-0	8200327-803		04	ABCD M5×14
512	<b>--- Jacket - Wiring harness</b>				
	8-97072-950-0			02	ABCD

8-15		Fixed parts for wire harness installation				
Figure No.		Recommended specification / name of part				
S/N	Isuzu figure No.	QingLing figure No.	Left/Right	Qty.	Applicable models / applicable status / notes	
					A	Wheelbase 2490mm
					B	Wheelbase 2765mm
					C	Wheelbase 3360mm
					D	Wheelbase 3815mm
514	--- Jacket - Harness					
	1-71997-513-1			01	BCD	4KH1 engine (A)
	1-71997-513-1			02	ABC	Only 4KH1 engine 4JB1 engine (A)
	1-79937-746-0			01	BCD	4KH1 engine (C) Length = 290
515	--- Nut - Bracket					
	0-91150-106-0	Q32006		02	BCD	Only 4KH1 engine M6
519	--- Nut - Starter bond strap					
	0-91150-112-0	Q32012		01	ABCD	M12
524	--- Nut - Harness					
	0-91150-208-0	Q32008T13		01	BCD	4JB1 engine M8
527	--- Cushion - Fan heater					
	8-94232-622-0			01	ABCD	

# Instrument cluster

8-21

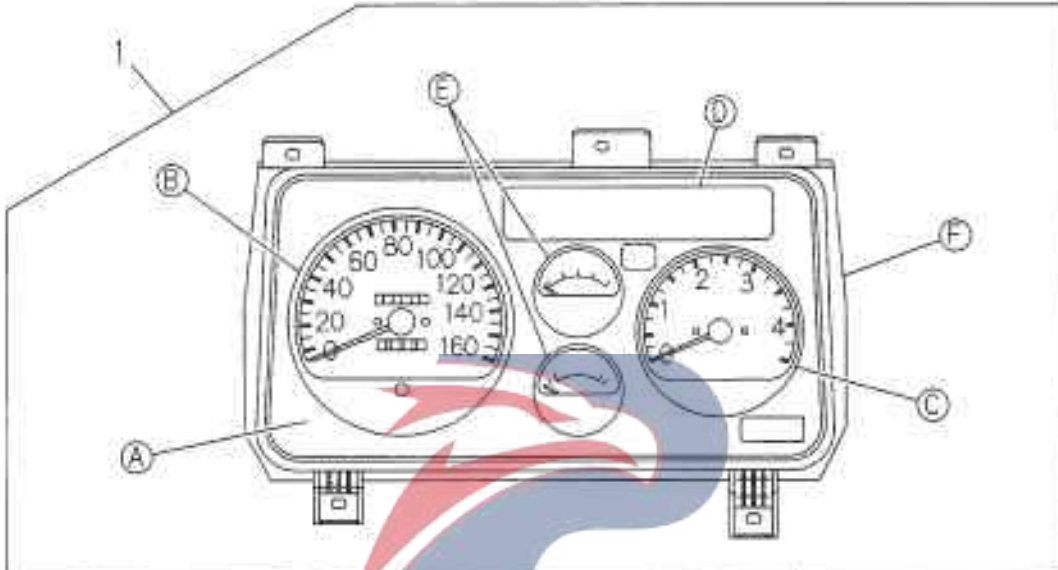
Figure No.



# 8-21

## Instrument cluster

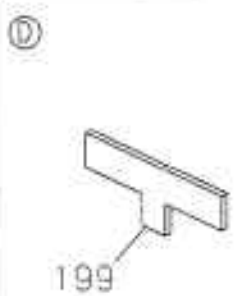
Figure No.



B Speed gauge



C Engine speed indicator



E Fuel gauge



Water temperature gauge

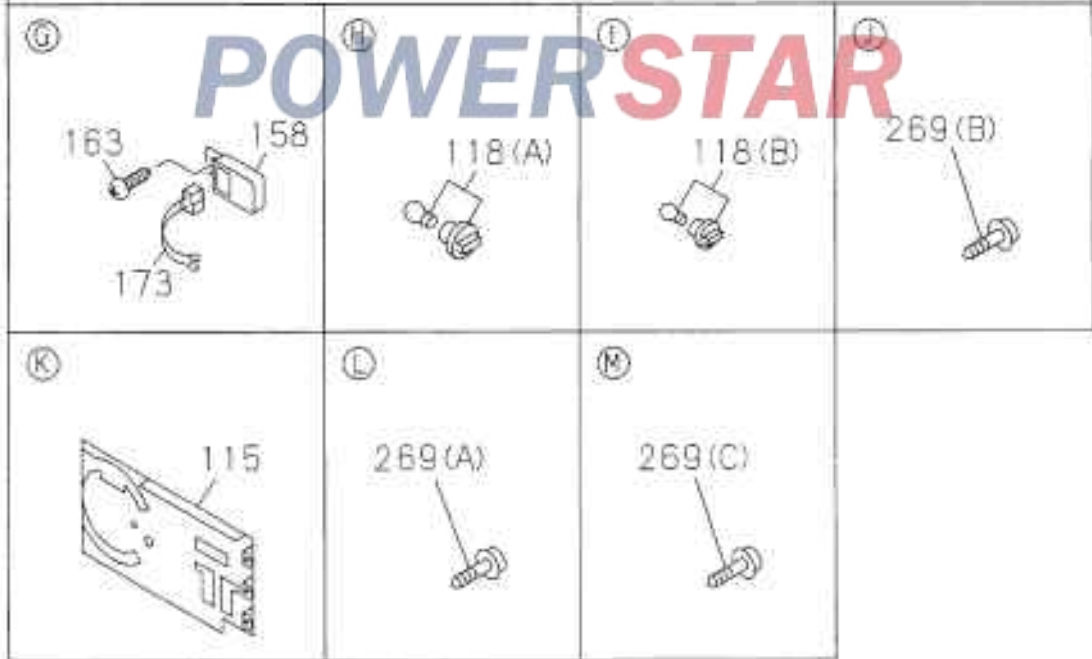
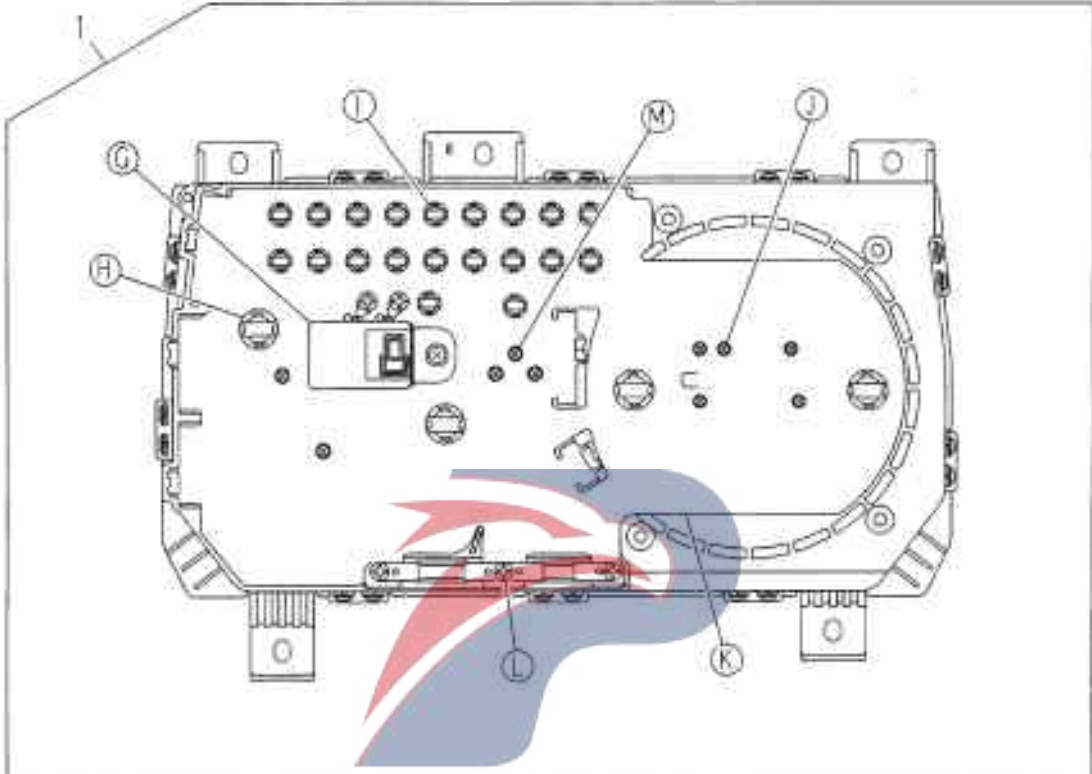




# Instrument cluster

# 8-21

Figure No.



8-21		Instrument cluster				
Figure No.						
S/N	Recommended specification / name of part					
	Isuzu figure No.	QingLing figure No.	Left/Right	Qty	Applicable models / applicable status / notes	
A					Wheelbase 2490mm	
					B	Wheelbase 2765mm
					C	Wheelbase 3360mm
					D	Wheelbase 3815mm
1	--- Instrument cluster					
	8-97249-243-0	3820010-802		01	ABC	4JB1 engine
	8-97260-645-1	3820010-850		01	BCD	4KH1 engine
2	--- Instrument panel					
	8-97185-443-0			01	ABCD	
11	--- Instrument cover assembly					
	8-97859-355-1	3801460-10		01	ABCD	
31	--- Bolt					
	8-94279-201-0	8203124-803		05	ABCD	M6×16
82	--- Instrument housing assembly					
	8-97185-448-0			01	ABCD	
86	--- Engine speed indicator					
	8-97185-467-0			01	ABC	4JB1 engine
	8-97307-050-0			01	BCD	4KH1 engine
87	--- Speed gauge					
	8-97185-456-0			01	ABCD	
110	--- Glass cover					
	8-97185-452-0			01	ABCD	
115	--- Circuit board					
	8-97210-309-0			01	ABC	4JB1 engine
	8-97307-051-0			01	BCD	4KH1 engine

Instrument cluster

8-21

Figure No.

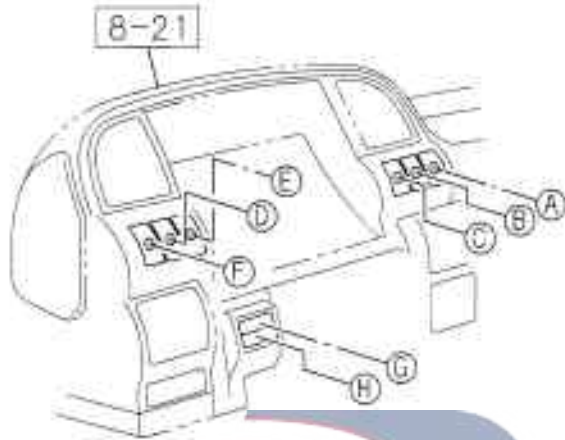
S/N	Recommended specification / name of part				
	Isuzu figure No.	QingLing figure No.	Left/Right	Qty.	Applicable models / applicable status / notes
					A Wheelbase 2490mm
					B Wheelbase 2765mm
					C Wheelbase 3360mm
					D Wheelbase 3815mm
118	--- Instrument indicator				
	8-97185-535-0			04	ABCD (A) 12V
	8-97185-536-0			11	ABC 4JB1 engine (B) 12V
	8-97185-536-0			12	B 4KH1 engine (B) 12V
131	--- Water temperature gauge				
	8-97185-476-0			01	ABCD
151	--- Fixed light - Decoration strip				
	8-97217-066-0			07	ABCD
158	--- Buzzer				
	8-97185-520-0			01	ABCD 12V
163	--- Screw - Buzzer				
	8-97185-527-0			01	ABCD
173	--- Spring piece				
	8-97185-643-0			01	ABCD

8-21		Instrument cluster				
Figure No.						
S/N	Recommended specification / name of part					
	Isuzu figure No.	QingLing figure No.	Left/Right	Qty.	Applicable models / applicable status / notes	
					A _____ Wheelbase 2490mm	
					B _____ Wheelbase 2765mm	
					C _____ Wheelbase 3360mm	
					D _____ Wheelbase 3815mm	
183	--- Fuel gauge					
	8-97185-473-0			01	ABCD	
199	--- Lamp cover - Instrument indicator					
	8-97210-305-0			01	ABCD	
227	--- Decoration cover - Instrument cover					
	8-97307-066-0	8101261-803		01	ABCD	
269	--- Screw - Instrument					
	8-97185-524-0			08	ABCD	
					(B)	
	8-97185-525-0			06	ABCD	
					(C)	
	8-97185-528-0			02	ABCD	
					(A)	
270	--- Cushion					
	8-94270-366-2			01	ABCD To the middle of the instrument panel (A)	
					15×30 Thickness =5	
	8-94270-378-1			02	ABCD To the combination instrument (B)	
					6×30 Thickness =2	
355	--- Grating bus - Instrument cluster					
	8-97195-967-1	8101270-803	Left	01	ABCD	
	8-97195-966-1	8101280-803	Right	01	ABCD	

### Switches and relays

8-25

Figure No.

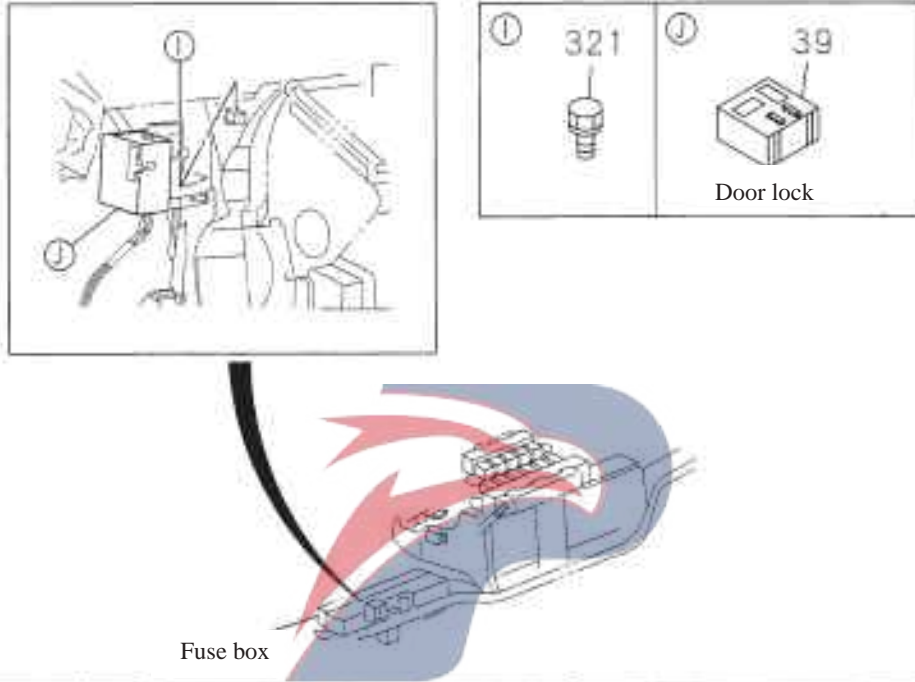


<p>(A) Hazard light</p>	<p>(H) Fog lamp</p>	<p>Hole cover - Switch</p>
<p>(C) Indoor lamp</p>	<p>Hole cover - Switch</p>	<p>(D) Hole cover - Switch</p>
<p>(E) Hole cover - Switch</p>	<p>(F) Hole cover - Switch</p>	<p>(G) Hole cover - Switch</p>
<p>(H) Hole cover - Switch</p>		

# 8-25

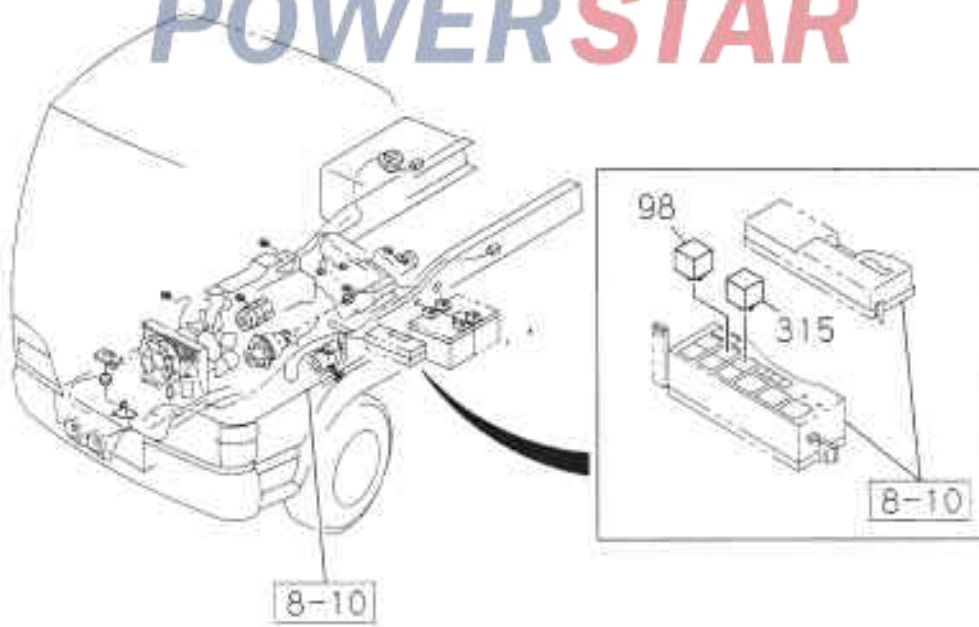
## Switches and relays

Figure No.



Fuse box

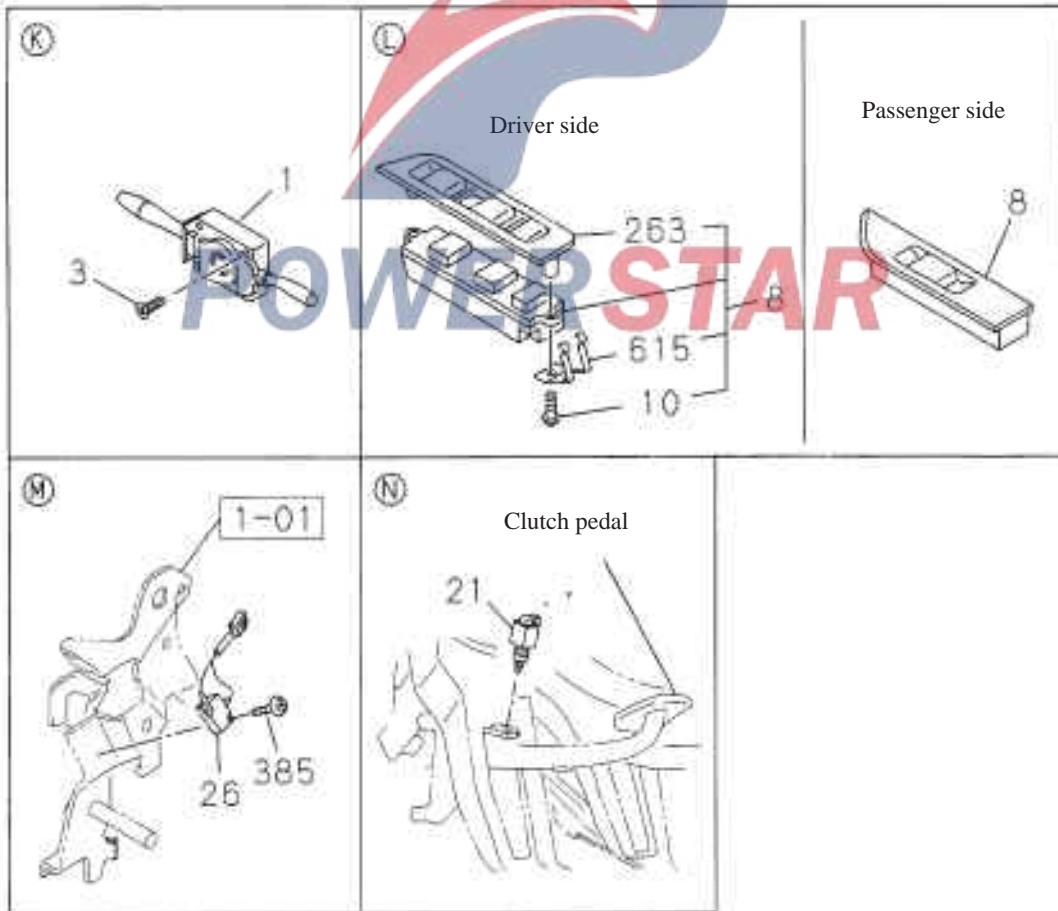
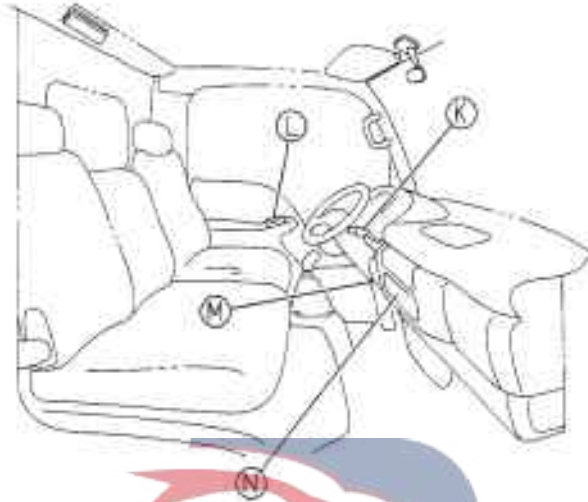
# POWERSTAR



# Switches and relays

# 8-25

Figure No.

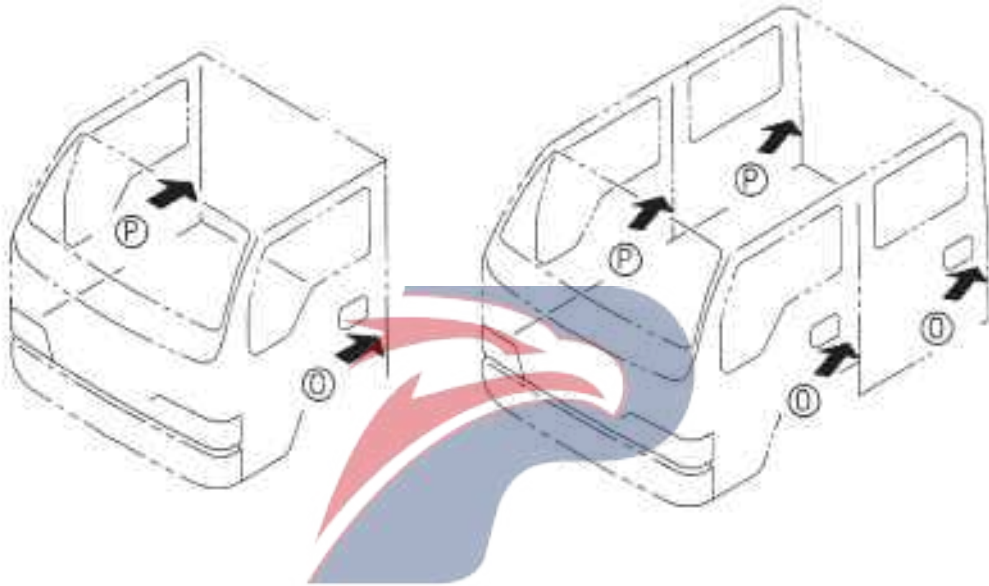




# 8-25

## Switches and relays

Figure No.



Graphical representation O  
Switch



Graphical representation P  
Hole cover



### Switches and relays

8-25

Figure No.



	S/N	Relay types
(AA)	0-60	Charging relay
(AB)	85	Headlamp relay
(AC)	8-40	Heater and air conditioner relay
(AD)	8-28	Stop light relay
(AE)	8-28	Flasher relay
(AF)	8-28	Horn relay
(AG)	531	ECU relay
(AH)		
(AI)	12	Relay of electric window and door
(AJ)		
(AK)	8-28	Fuel heater relay

8-25		Switches and relays					
Figure No.		Recommended specification / name of part					
S/N	Isuzu figure No.	QingLing figure No.	Left/Right	Qty.	Applicable models / applicable status / notes		
					A	Wheelbase 2490mm	
					B	Wheelbase 2765mm	
					C	Wheelbase 3360mm	
					D	Wheelbase 3815mm	
1	--- Combination switch						
	8-97287-894-2	3774010-803		01	BCD	4KH1 engine	
					BC	4JB1 engine except the single-cab vehicle model with payload of 1.95T and crew-cab vehicle model with payload of 1.75T	
	8-97287-895-2	3704010-802		01	AB	4JB1 engine only apply to the crew-cab vehicle model with wheelbase of 2490 and single-cab vehicle model with payload of 1.95T and crew-cab vehicle model with wheelbase of 2765 and payload of 1.75T	
3	--- Bolt and spring washer assembly - Combination switch						
	9-03910-520-0	Q2320520		04	ABCD	M5×20	
8	--- Switch of electric window						
	8-97214-399-0			01	ABCD	4KH1 engine	
	8-97364-113-0			01	ABCD	4KH1 engine	
10	--- Screw - Switch of electric window						
	8-97219-239-0			02	ABCD		
12	--- Relay - Switch of electric window						
	8-97060-926-1			01	ABCD	12V 20A	
21	--- Switch - clutch						
	8-97358-248-0			01	BC	Only 4JB1 engine and vehicle model with payload of more than 2T	
	8-97260-603-0			01	BCD	Only 4KH1 engine	
26	--- Switch - Exhaust brake						
	8-97855-192-0			01	BC	Only 4JB1 engine and vehicle model with payload of more than 2T	
29	--- Front door switch assembly - B-pillar						
	8-97855-032-3	6108010-801		02	ABCD		

## Switches and relays

8-25

Figure No.

S/N	Recommended specification / name of part				
	Isuzu figure No.	QingLing figure No.	Left/Right	Qty.	Applicable models / applicable status / notes
					A B C D
30	--- Cross recess pan head screw - Front door switch				
	8-94279-341-0	Q2140516		01	BCD 4KH1 engine, only for single cab ABC 4JB1 engine, only for single cab M5×16
	8-94279-341-0	Q2140516		02	BCD 4KH1 engine, only for single cab ABC 4JB1 engine, only for single cab M5×16
39	--- Relay - Door lock				
	8-97359-591-0			01	ABCD
85	--- Relay - Headlamp				
	8-97060-926-1			01	ABCD 12V 20A
96	--- Fog lamp switch				
	8-97140-964-0			01	ABCD
98	--- Relay - Rear fog lamp				
	8-97060-926-1			01	ABCD 12V 20A
104	--- Hole cover - Switch				
	8-97136-694-0	8101231-803		01	ABCD
249	--- Hazard warning light switch				
	8-97202-476-0			01	ABCD
257	--- Hole cover - Front door switch				
	8-97229-914-1	6108051-801		01	BCD 4KH1 engine, only for single cab ABC 4JB1 engine, only for single cab (A)

8-25		Switches and relays				
Figure No.		Recommended specification / name of part				
S/N	Isuzu figure No.	QingLing figure No.	Left/Right	Qty.	Applicable models / applicable status / notes	
					A	B
						Wheelbase 2490mm
						Wheelbase 2765mm
						Wheelbase 3360mm
						Wheelbase 3815mm
257	--- Hole cover - Front door switch					
	8-94310-890-0	8101251-803		01	ABCD	Lower part of instrument mask (B)
	8-97136-694-0	8101231-803		01	ABCD	(C)
	8-94229-914-1	6108051-801		02	BCD	4KH1 engine, only for crew-cab
					ABC	4JB1 engine, only for crew cab (A)
262	--- Hole cover - Switch					
	8-97219-236-0			01	ABCD	
307	--- Lamp bulb - Fog lamp					
	8-97116-329-0			02	ABCD	14V 60MA
	8-97116-329-0			01	ABCD	14V 60MA
315	--- Relay - Exhaust brake					
	8-97060-926-1			01	BC	Only 4JB1 engine and vehicle model with payload of more than 2T 12V 20A
321	--- Bolt - Relay					
	8-94436-927-0			01	ABCD	M5×20
372	--- Room light switch					
	8-97136-692-0			01	ABCD	

Switches and relays

8-25

Figure No.

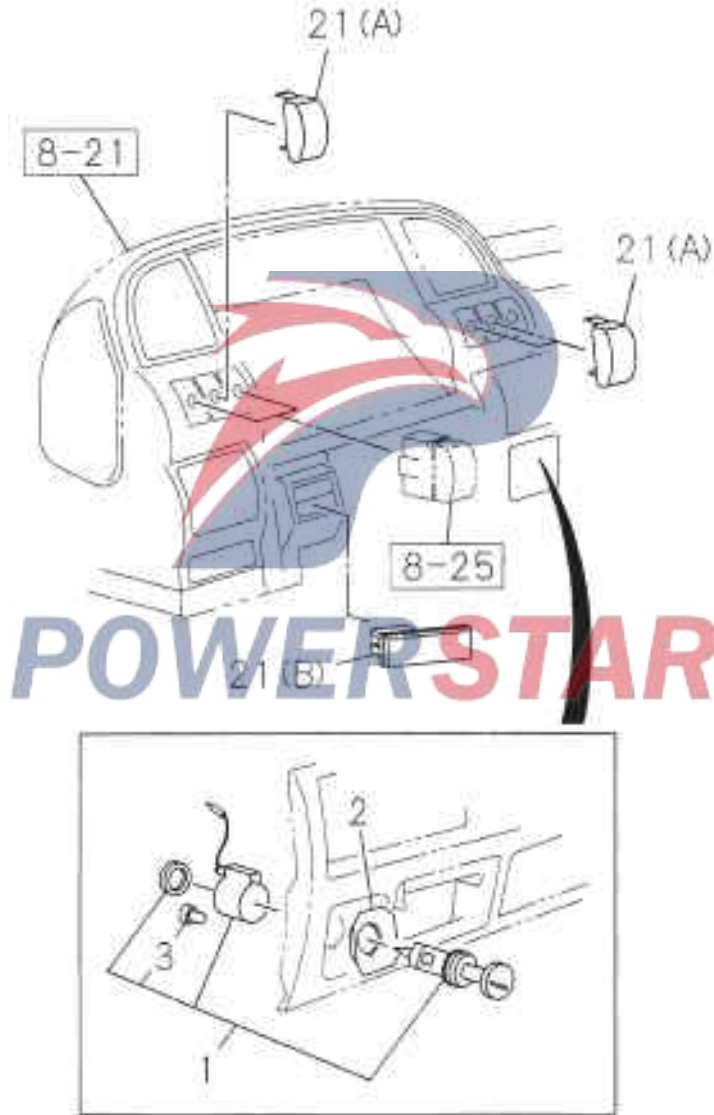
S/N	Recommended specification / name of part				
	Isuzu figure No.	QingLing figure No.	Left/Right	Qty.	Applicable models / applicable status / notes
					A B C D
385	--- Tapping screw of pan head				
	0-71280-316-0	3506516-803		02	BCD 4KH1 engine ABC Only apply to 4JB1 engine, vehicle model with payload of more than 2T M3×16
531	--- Relay - ECU				
	8-97060-926-1			01	B Only 4KH1 engine 12V 20A
615	--- Spring piece - Switch of electric window				
	8-97219-238-0			01	ABCD

POWERSTAR

8-26

Electronic control and other components

Figure No.

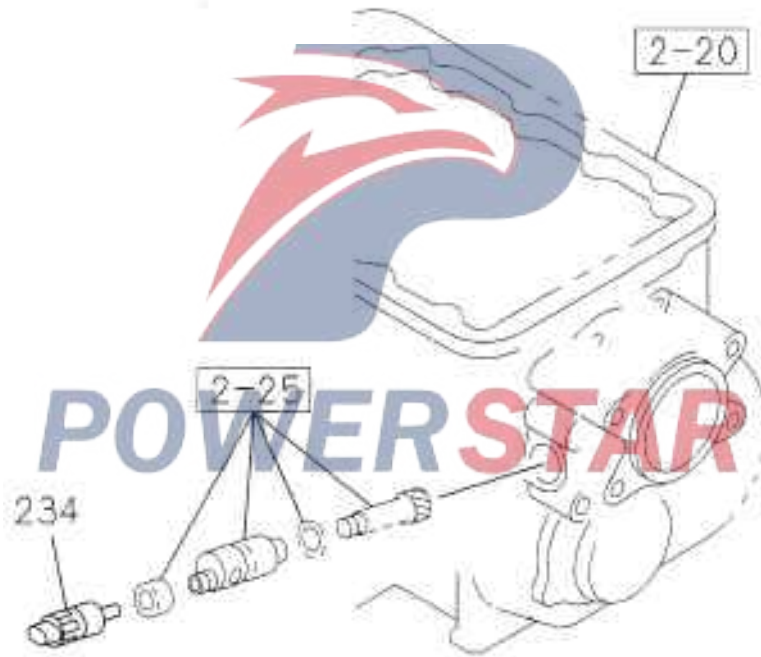




Electronic control and other components

8-26

Figure No.

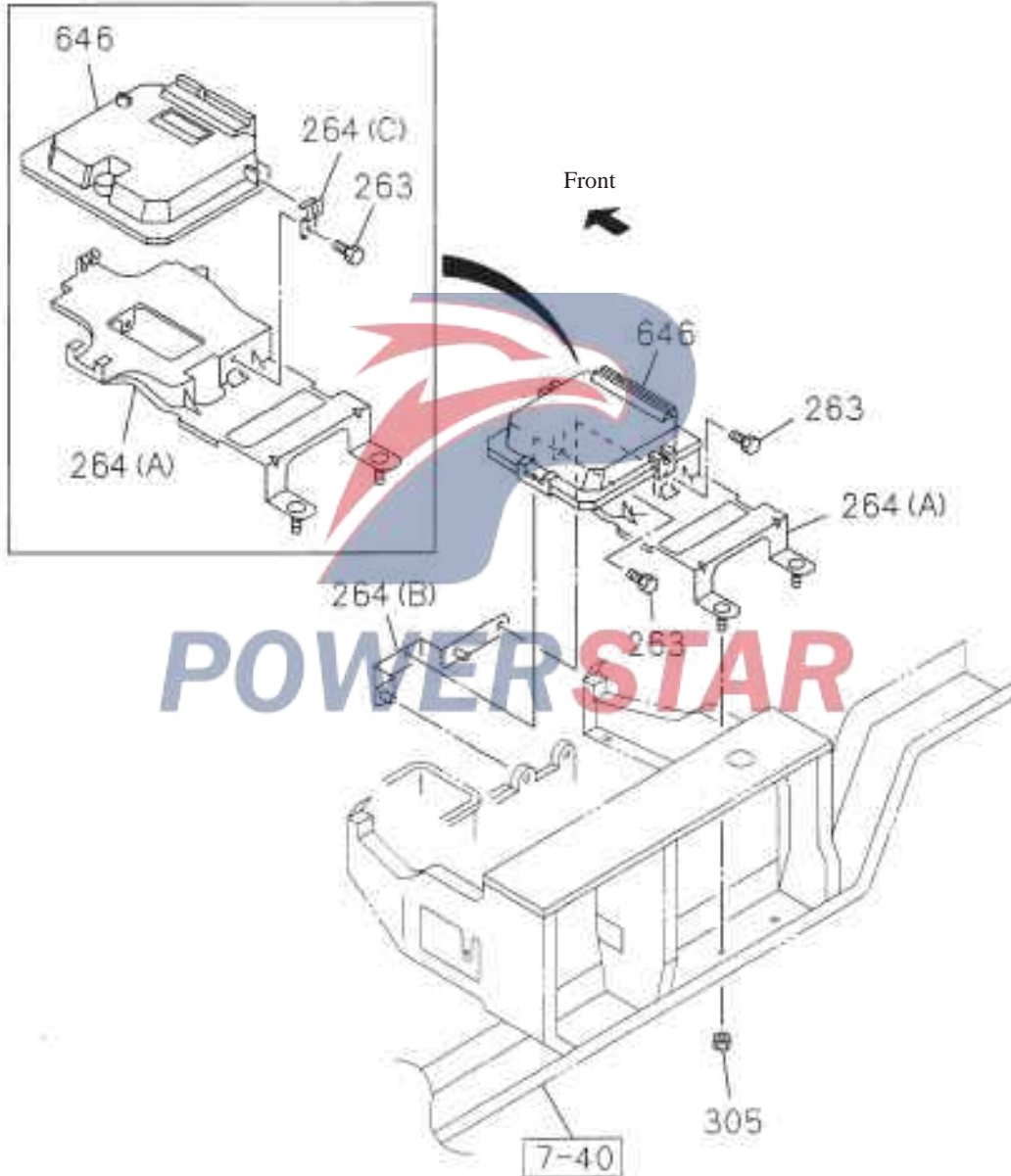


P-621

# 8-26

## Electronic control and other components

Figure No.



Electronic control and other components

8-26

Figure No.

S/N	Recommended specification / name of part				
	Isuzu figure No.	QingLing figure No.	Left/Right	Qty.	Applicable models / applicable status / notes
					A B C D
					Wheelbase 2490mm Wheelbase 2765mm Wheelbase 3360mm Wheelbase 3815mm
1	--- Cigarette lighter assembly				
	8-97320-322-0			01	ABCD
2	--- Cover plate - Cigarette lighter				
	8-97853-159-1	6205127-803		01	ABCD
3	--- Diode - Cigarette lighter				
	8-97173-160-0			01	ABCD 14V 1.4W
21	--- Hole cover				
	8-97136-694-0	8101231-803		01	ABCD Switch hole (A)
	8-97136-694-0	8101231-803		02	ABCD Switch hole (A)
	8-94310-890-0	8101251-803		01	ABCD Lower part of instrument mask (B)
234	--- Vehicle speed sensor assembly				
	8-97256-525-0			01	ABCD
263	--- Bolt - Fixation of computer board				
	0-28680-620-0	Q1840620		03	BCD Only 4KH1 engine M8×20
264	--- ECU bracket				
	8-97240-154-1	3724521-850		01	BCD Only 4KH1 engine (C)

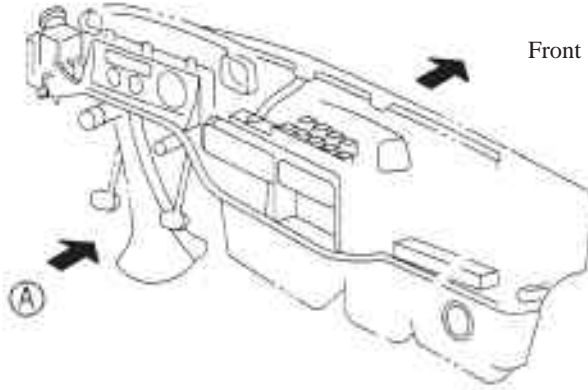
8-26		Electronic control and other components				
Figure No.		Recommended specification / name of part				
S/N	Isuzu figure No.	QingLing figure No.	Left/Right	Qty.	Applicable models / applicable status / notes	
					A	Wheelbase 2490mm
					B	Wheelbase 2765mm
					C	Wheelbase 3360mm
					D	Wheelbase 3815mm
264	---ECU bracket					
	8-97309-165-4	3724510-850		01	BCD	Only 4KH1 engine (A)
	8-97312-796-2	3724530-850		01	BCD	Only 4KH1 engine (B)
305	--- Nut - Fixation of ECU controller					
	0-91150-106-0	Q32006		04	BCD	Only 4KH1 engine M6
646	--- ECU Controller					
	8-97288-153-4			01	BCD	Only 4KH1 engine

POWERSTAR

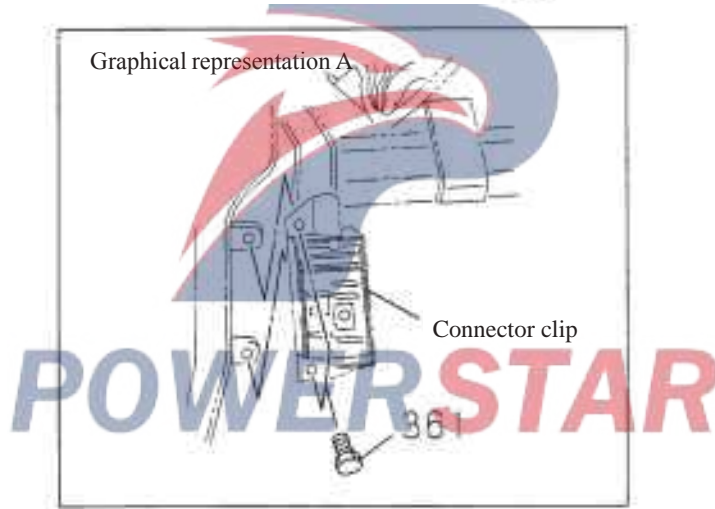
# Chassis wire harness

8-28

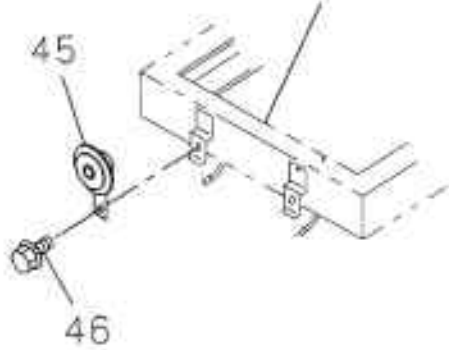
Figure No.



Graphical representation A



1st crossbeam

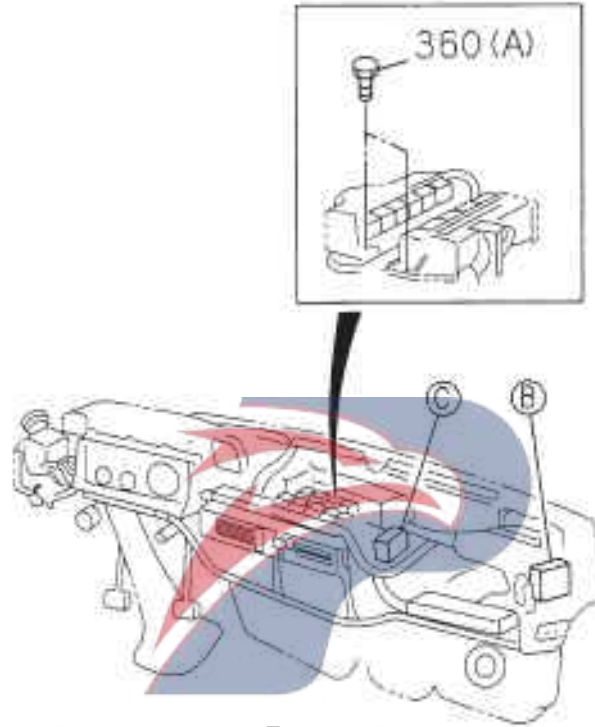


P-625

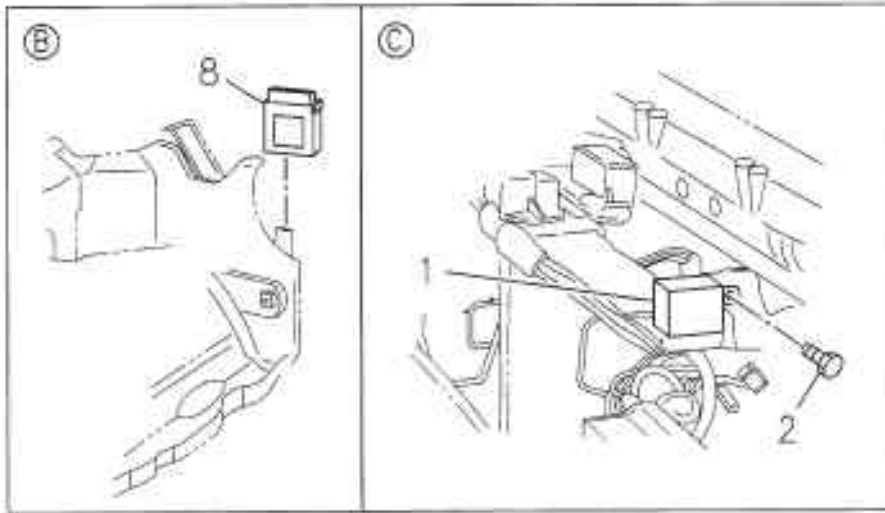
8-28

Chassis wire harness

Figure No.



Front  
**POWERSTAR**

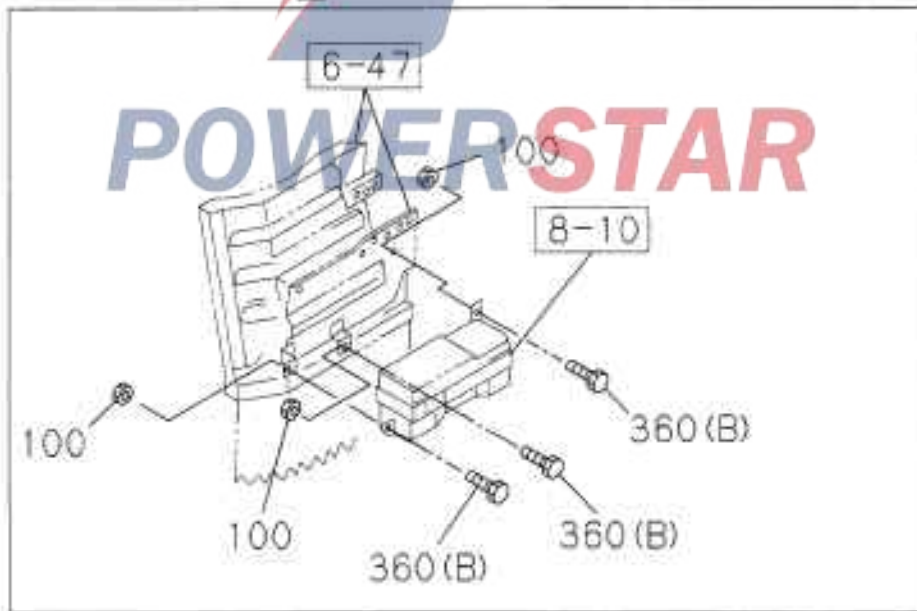
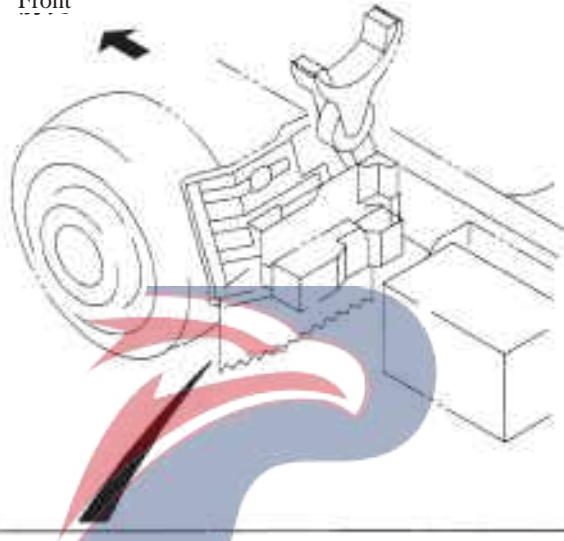


# Chassis wire harness

8-28

Figure No.

Front

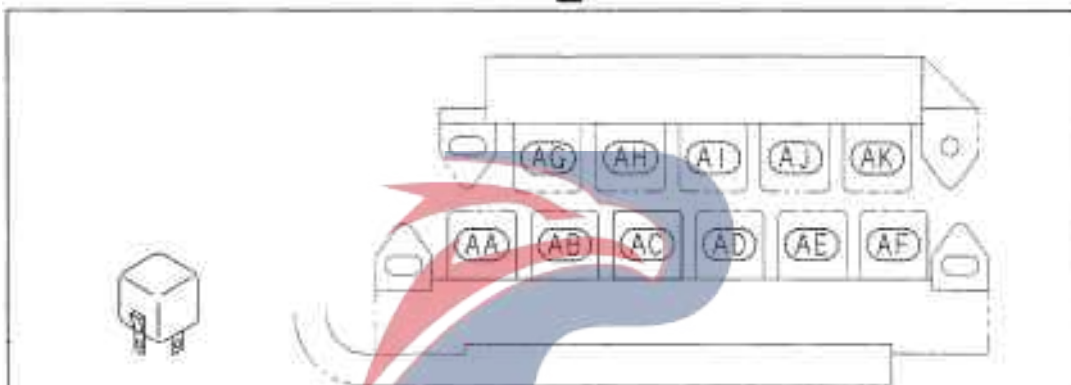




# 8-28

## Chassis wire harness

Figure No.



	S/N	Relay types
(AA)	0-60	Charging relay
(AB)	8-25	Headlamp relay
(AC)	8-40	Heater and air conditioner relay
(AD)	22	Stop light relay
(AE)	11	Flasher relay
(AF)	29	Horn relay
(AG)	8-25	ECU relay
(AH)		
(AI)	8-25	Relay of electric window and door
(AJ)		
(AK)	534	Fuel heater relay

Chassis wire harness

8-28

Figure No.

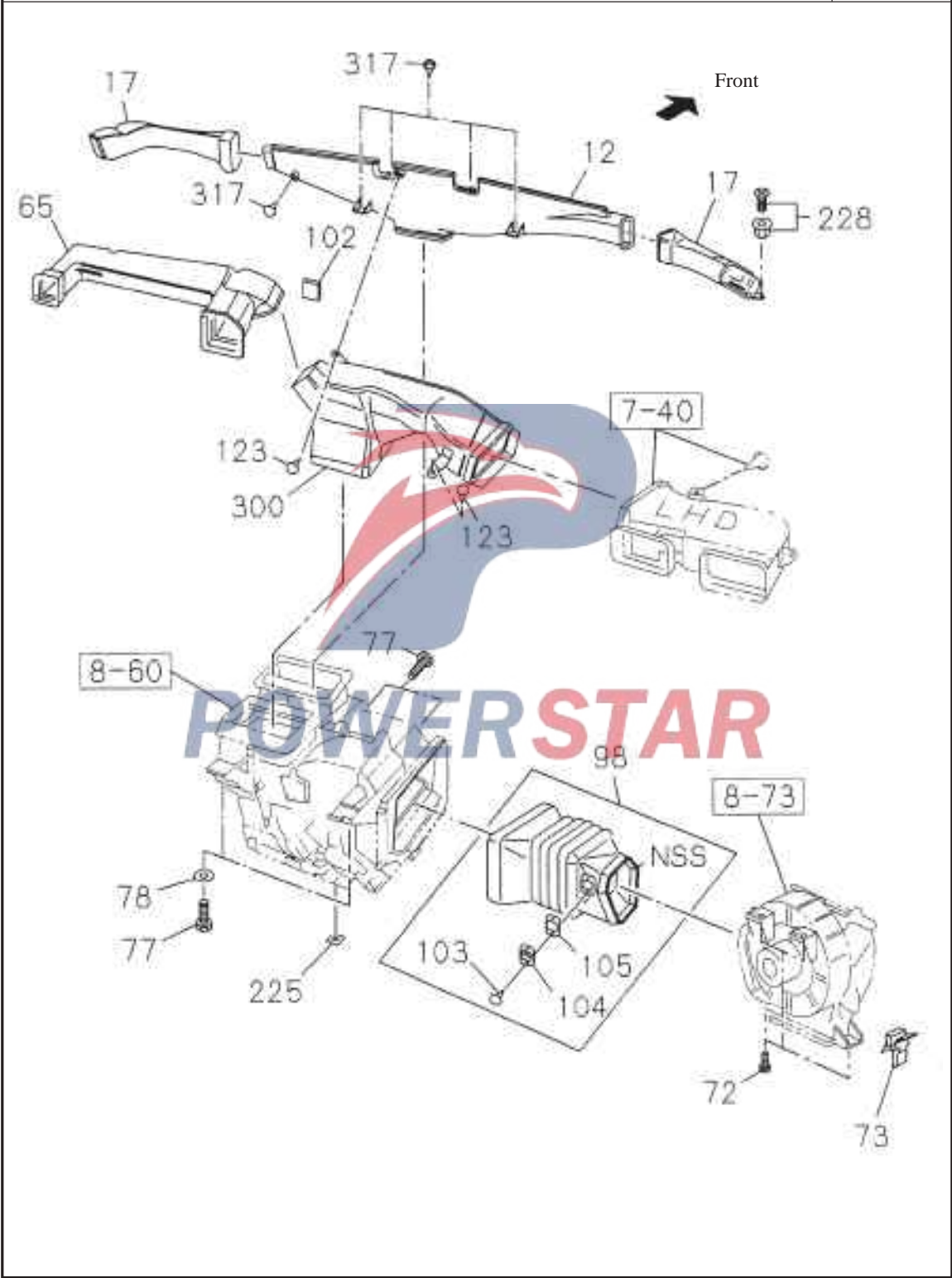
S/N	Recommended specification / name of part				
	Isuzu figure No.	QingLing figure No.	Left/Right	Qty.	Applicable models / applicable status / notes
					A B C D
					Wheelbase 2490mm Wheelbase 2765mm Wheelbase 3360mm Wheelbase 3815mm
1	--- Flasher 8-97228-398-0			01	ABCD
2	--- Bolt - Flasher 8-97139-963-0	8101326-803		01	ABCD M6× 16
8	--- Relay 8-97855-014-0			01	ABCD
11	--- Breaker - Flasher 8-97060-926-1			01	ABCD 12V 20A
22	--- Breaker - Stop light 8-97060-926-1			01	ABCD 12V 20A
29	--- Breaker - Speaker 8-97060-926-1			01	ABCD 12V 20A
45	--- Woofer 8-97109-362-1			01	ABCD
46	--- Bolt - Woofer 8-97086-825-0	Q1460820		01	ABCD M8× 20

8-28		Chassis wire harness				
Figure No.		Recommended specification / name of part				
S/N	Isuzu figure No.	QingLing figure No.	Left/Right	Qty.	Applicable models / applicable status / notes	
					A	Wheelbase 2490mm
					B	Wheelbase 2765mm
					C	Wheelbase 3360mm
					D	Wheelbase 3815mm
100	--- Nut - Relay box to bracket					
	0-91150-108-0	Q32008		03	ABCD	M8
360	--- Bolt - Relay box to bracket					
	0-28680-825-0	Q1840825		03	ABCD	(B) M8× 25
	8-94139-963-0	8101326-803		04	ABCD	(A) M6× 16
361	--- Bolt					
	8-94279-201-0	8203124-803		01	ABCD	M6× 16
534	--- Relay - Fuel heater					
	8-97060-926-1			01	BCD	Only 4KH1 engine 12V 20A

# Warm air system

8-40

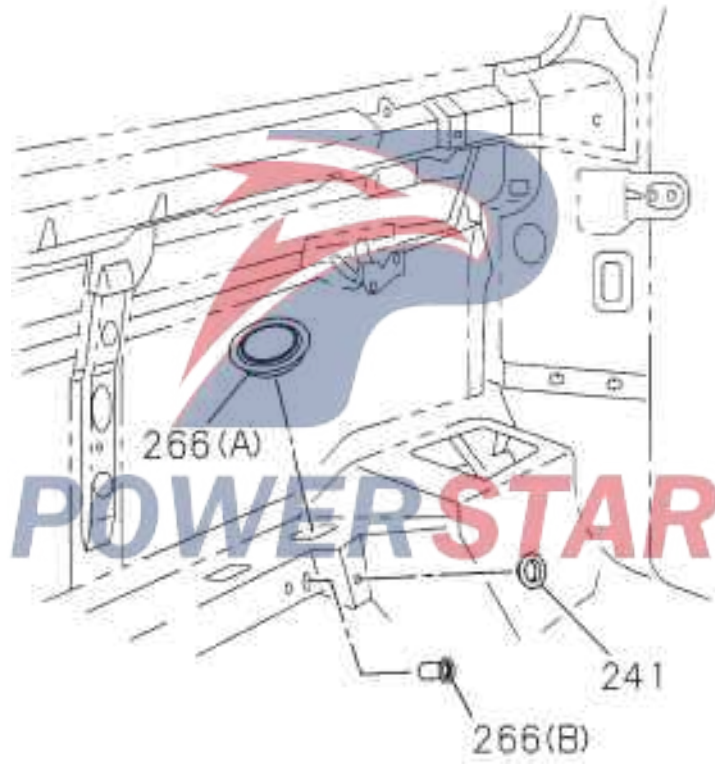
Figure No.



8-40

Warm air system

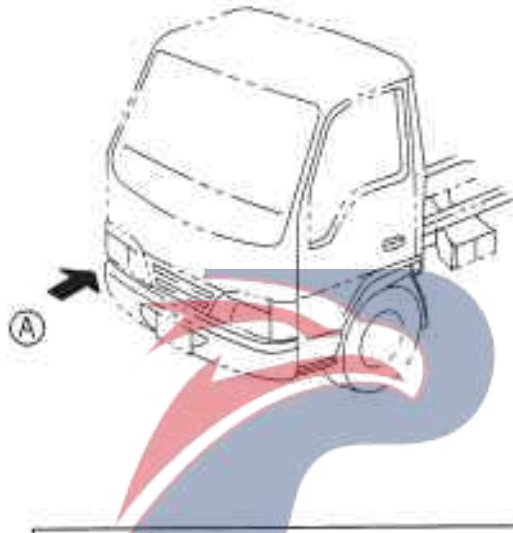
Figure No.



# Warm air system

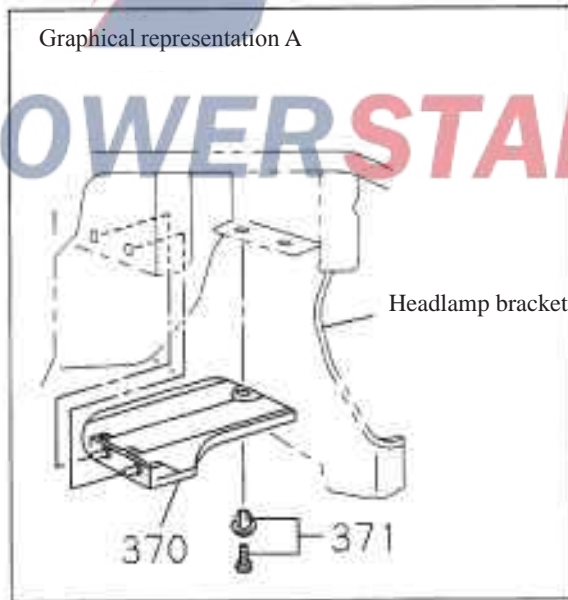
8-40

Figure No.



Graphical representation A

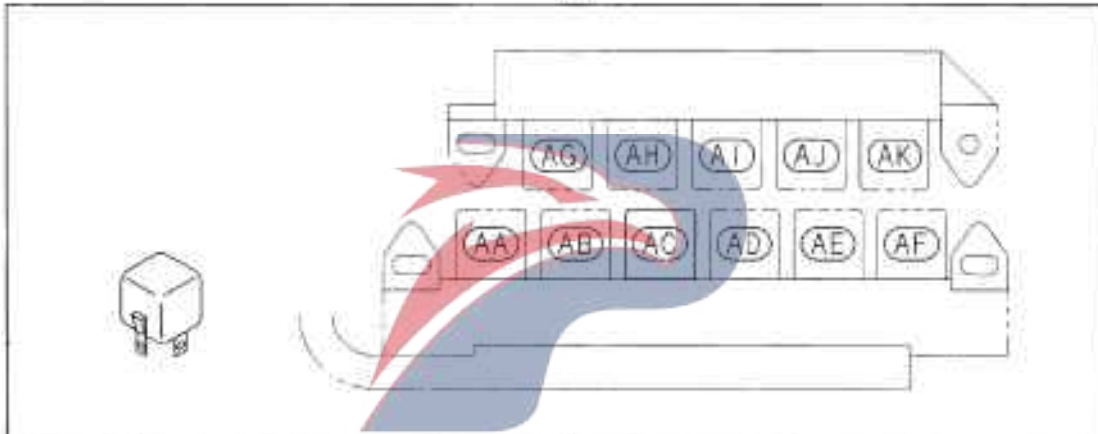
**POWERSTAR**



# 8-40

## Warm air system

Figure No.



	S/N	Relay types
(AA)	0-60	Charging relay
(AB)	8-25	Headlamp relay
(AC)	368	Heater and air conditioner relay
(AD)	8-28	Stop light relay
(AE)	8-28	Flasher relay
(AF)	8-28	Horn relay
(AG)	8-25	ECU relay
(AH)		
(AI)	8-25	Relay of electric window and door
(AJ)		
(AK)	8-28	Fuel heater relay



Warm air system

8-40

Figure No.

S/N	Recommended specification / name of part				
	Isuzu figure No.	QingLing figure No.	Left/Right	Qty.	Applicable models / applicable status / notes
					A B C D
					Wheelbase 2490mm Wheelbase 2765mm Wheelbase 3360mm Wheelbase 3815mm
12	--- Defrosting pipe - Warm air outlet				
	8-97251-629-0	8101071-803		01	ABCD
17	--- Defrosting pipe				
	8-97262-693-0	8101072-803	Left	01	ABCD
	8-97262-694-0	8101073-803	Right	01	ABCD
65	--- Heating pipe - Driver side				
	8-97262-695-0	8101074-803		01	ABCD
72	--- Bolt				
	0-28680-620-0	Q1840620		02	ABCD Blower and framework M6×20
	8-97103-452-0	8101324-803		02	ABCD Lower part of front wall to blower M8×35
73	--- Clip - Blower				
	8-94337-654-0	8101325-803		01	ABCD
77	--- Bolt				
	0-28680-620-0	Q1840620		02	ABCD Heating device and instrument framework M6×20
	0-28680-840-0	8101324-803		01	ABCD Lower part of front wall to blower M8×40
	8-97103-451-0	8101322-803		01	ABCD Lower part of front wall to heater M8×25
78	--- Big washer - Lower part of front wall to heater				
	9-09160-708-0	Q40208		01	ABCD Inside diameter =8 Outer diameter=22

8-40		Warm air system					
Figure No.		Recommended specification / name of part					
S/N	Isuzu figure No.	QingLing figure No.	Left/Right	Qty.	Applicable models / applicable status / notes		
					A	Wheelbase 2490mm	
					B	Wheelbase 2765mm	
					C	Wheelbase 3360mm	
					D	Wheelbase 3815mm	
98	--- Air vent tube assembly						
	8-97262-787-0	8101010-10/A		01	ABCD		
102	--- Fastening nail - Defrosting pipe						
	8-97145-038-0			01	ABCD		
103	--- Screw - Resistor						
	1-83579-114-0			02	ABCD	M4×16	
104	--- Resistor - Air vent tube						
	8-97234-545-0			01	ABCD		
105	--- Base plate - Air vent tube						
	8-97020-761-0			01	ABCD		
123	--- Screw - Air vent tube						
	8-97147-069-0	8101323-803		02	ABCD	M5×12	
225	--- Water seal - Heating device						
	8-97856-616-0			04	ABCD		
228	--- Fastening nail						
	8-94242-150-0			01	ABCD	D5.8	

Warm air system

8-40

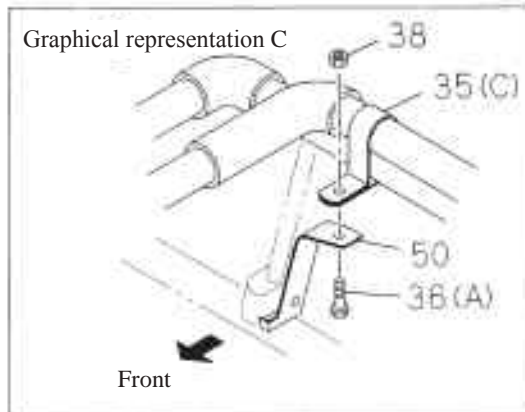
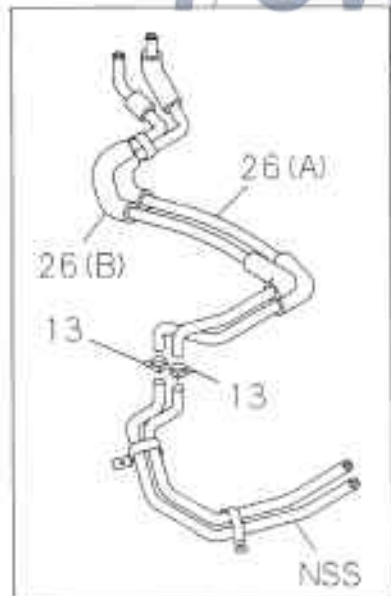
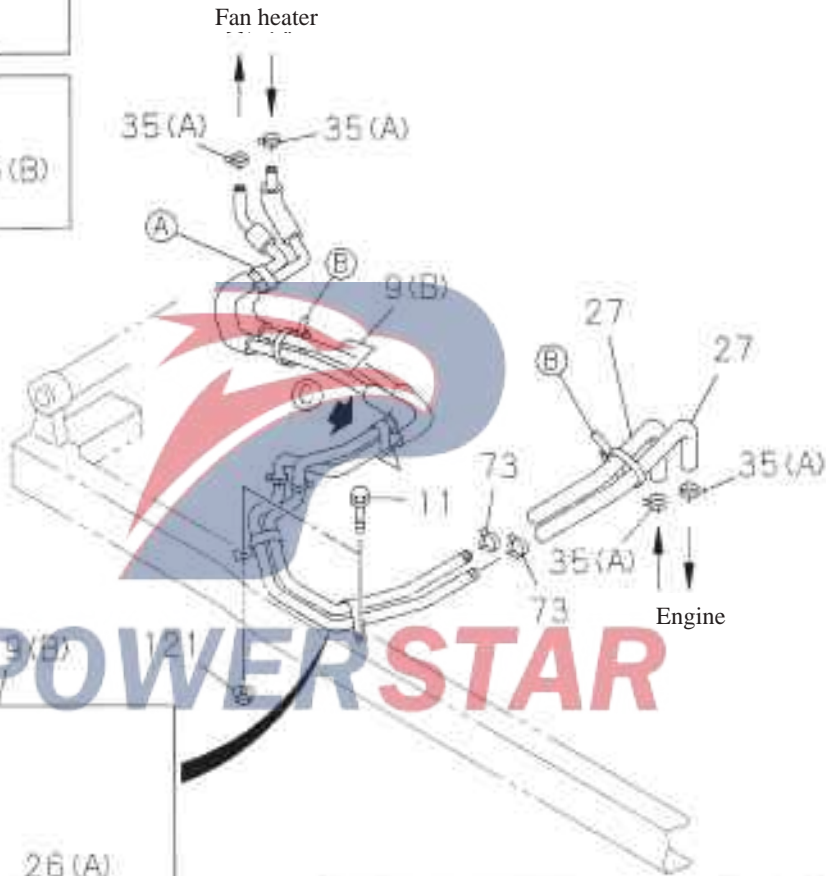
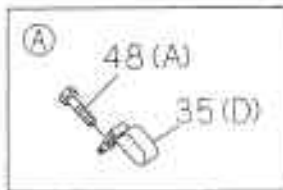
Figure No.

S/N	Recommended specification / name of part				
	Isuzu figure No.	QingLing figure No.	Left/Right	Qty.	Applicable models / applicable status / notes
					A B C D
241	--- Rubber grommet				
	8-97037-392-0	3724388-803		01	ABCD
266	--- Rubber stopper				
	8-97036-019-0	3724387-803		01	ABCD
	9-09756-019-0	3724387-803		01	ABCD (A) Main body harness (B) Inside diameter = 13
300	--- Air vent tube - Fan heater				
	8-97262-697-0	8101075-803		01	ABCD
317	--- Screw - Air vent tube				
	8-97147-069-0	8101323-803		05	ABCD M5×12
368	--- Relay - Heater and air conditioner				
	8-97060-926-1			01	ABCD 12V 20A
370	--- Baffle - Lower part of front wall (right)				
	8-97856-617-1	8200141-803		01	ABCD
371	--- Fastening nail				
	8-94242-150-0			01	ABCD D5.8

8-45

### Warm water pipes 4JB1 engine

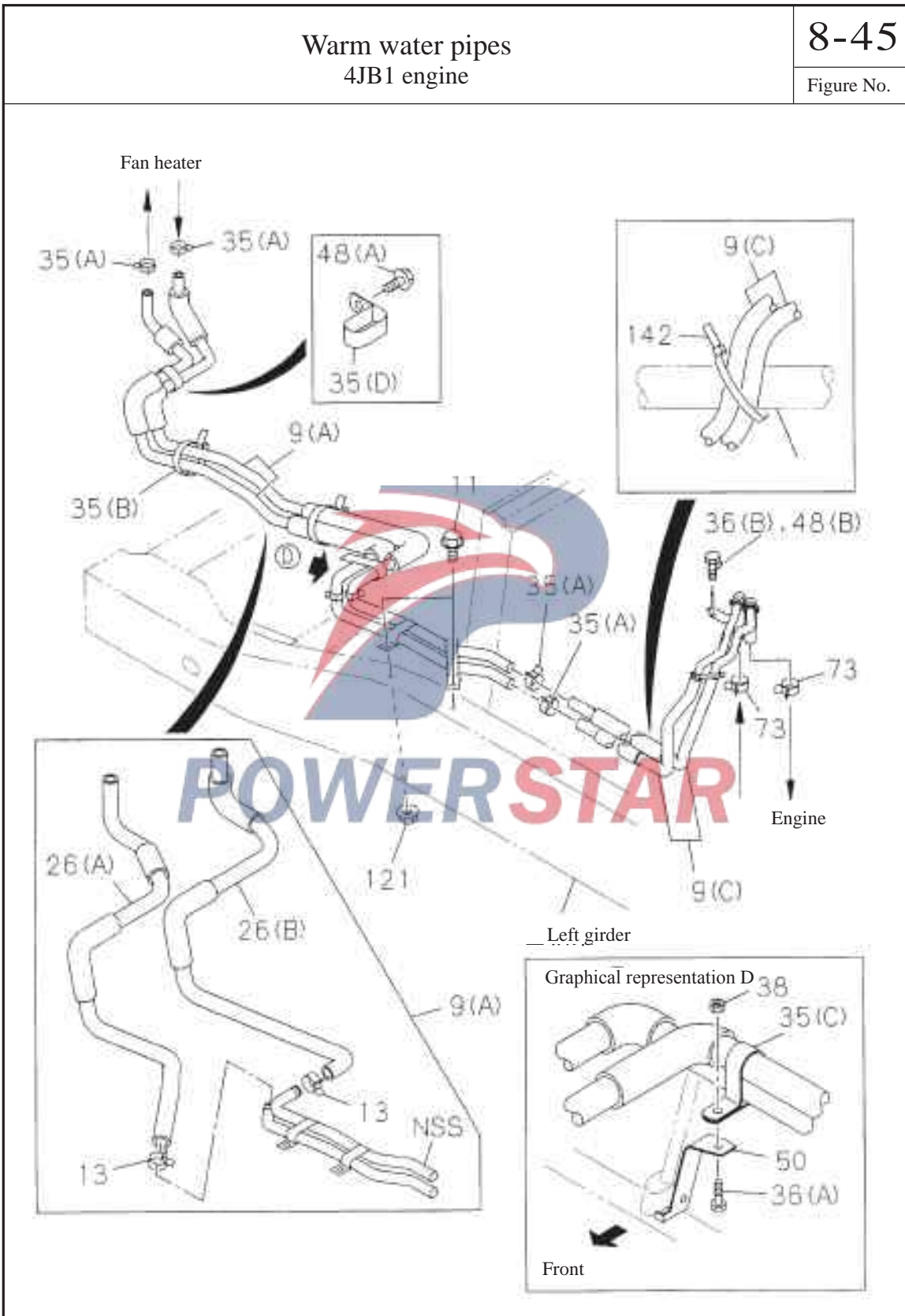
Figure No.



# Warm water pipes 4JB1 engine

8-45

Figure No.



8-45		Warm water pipes				
Figure No.						
S/N	Recommended specification / name of part					
	Isuzu figure No.	QingLing figure No.	Left/Right	Qty.	Applicable models / applicable status / notes	
A					Wheelbase 2490mm	
					B	Wheelbase 2765mm
					C	Wheelbase 3360mm
					D	Wheelbase 3815mm
9	--- Heating pipe assembly					
	8-97231-907-0	8101020-803		01	ABC	Only for 4JB1 engine (B)
	8-97260-268-3	8101020-803		01	BCD	Only 4KH1 engine (A)
	8-97260-456-3			01	BCD	Only 4KH1 engine (C)
11	--- Bolt - Fixation of glue pipe					
	0-28680-825-0	Q1840825		02	ABCD	M8×25
13	--- Spring pipe clamp - Warm water pipes					
	8-94382-401-0			02	ABCD	Inside diameter =22
26	--- Warm water pipes					
	8-97239-084-0			01	ABCD	(A)
	8-97239-085-0			01	ABCD	(B)
27	--- Nut - Relay box to bracket					
	8-97205-283-0	8101030-803		02	ABC	Only for 4JB1 engine

Chassis wire harness

8-45

Figure No.

S/N	Recommended specification / name of part				
	Isuzu figure No.	QingLing figure No.	Left/Right	Qty	Applicable models / applicable status / notes
					A B C D
					Wheelbase 2490mm Wheelbase 2765mm Wheelbase 3360mm Wheelbase 3815mm
35	--- Spring pipe clamp				
	5-83574-006-0			01	ABCD (C)
	8-94124-169-1			01	ABCD (D)
	8-94382-401-0			04	ABCD (A) Inside diameter =22
	5-09707-030-1	1101421-803		02	ABC Strap only for 4JB1 engine (B) Length = 250
	5-09707-030-1	1101421-803		01	BCD Strap only for 4KH1 engine (B) Length = 250
36	--- Flange bolts				
	0-28080-816-0	Q1840816		02	BCD Only 4KH1 engine (B) M8×16
	0-28680-825-0	Q1840825		01	ABCD (A) M8×25
38	--- Nut				
	0-91150-208-0	Q32008T13		01	ABCD M8

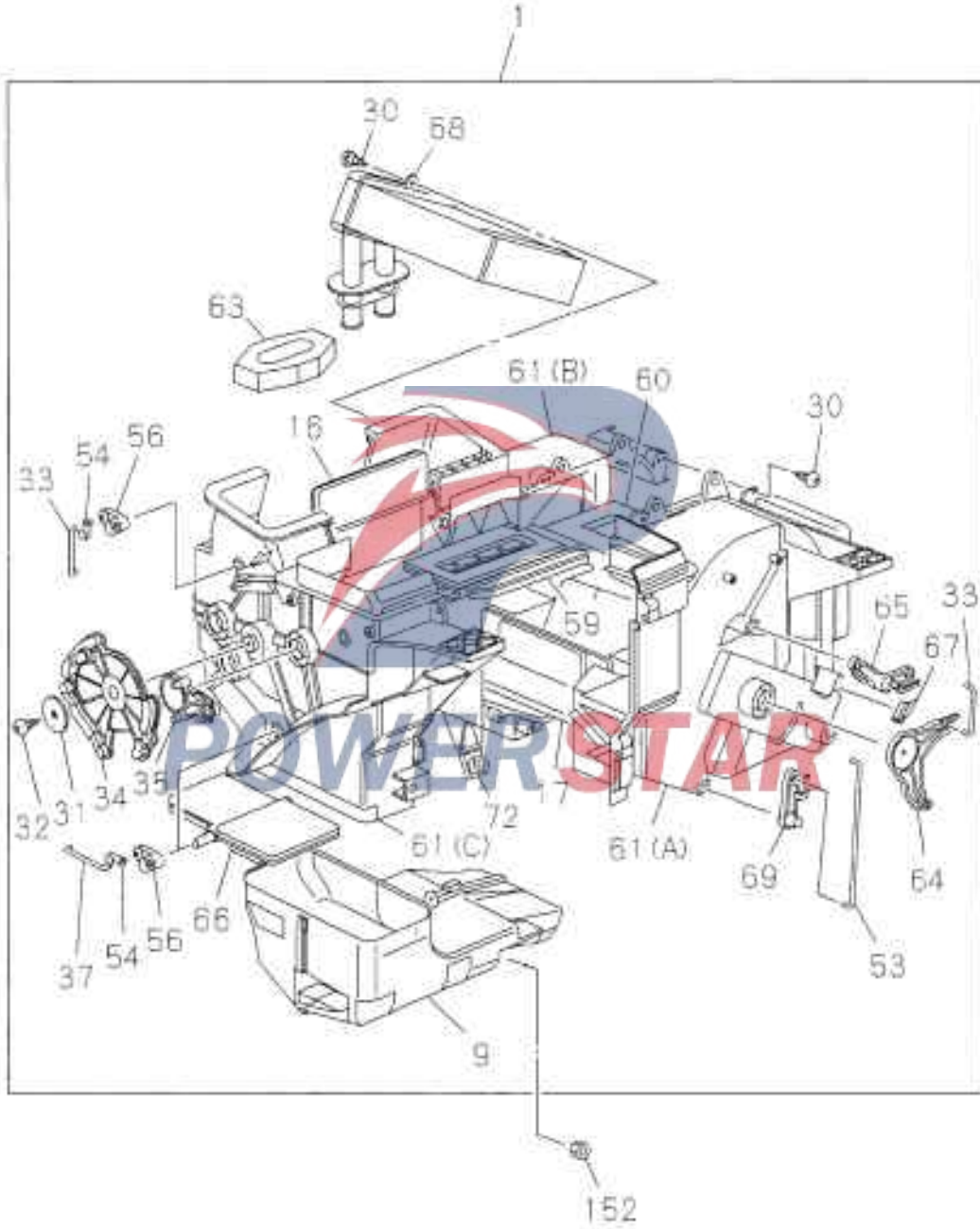


8-45		Warm water pipes				
Figure No.						
S/N	Recommended specification / name of part					
	Isuzu figure No.	QingLing figure No.	Left/Right	Qty.	Applicable models / applicable status / notes	
A					B	C
					Wheelbase 2490mm	
					Wheelbase 2765mm	
					Wheelbase 3360mm	
					Wheelbase 3815mm	
48	--- Flange bolts					
	0-28080-612-0	Q1840612		01	ABCD (A) M6×12	
	0-28080-816-0	Q1840816		02	BCD Only 4KH1 engine (B) M8×16	
50	--- Bracket					
	8-97072-530-0	8101011-803		01	ABCD	
73	--- Spring pipe clamp					
	8-94382-401-0			02	ABCD Inside diameter =22	
121	--- Nut					
	0-91150-208-0	Q32008T13		01	ABCD M8	
142	--- Hoop band					
	1-09707-142-1			01	BCD Only 4KH1 engine Length = 450	
	8-94152-256-1			01	BCD Only 4KH1 engine Length = 350	

# Front warm air blower assembly

8-60

Figure No.



8-60		Front warm air blower assembly				
Figure No.		Recommended specification / name of part				
S/N	Isuzu figure No.	QingLing figure No.	Left/Right	Qty.	Applicable models / applicable status / notes	
					A	Wheelbase 2490mm
					B	Wheelbase 2765mm
					C	Wheelbase 3360mm
					D	Wheelbase 3815mm
1	--- Fan heater assembly					
	8-97174-733-6	8101010-803		01	ABCD	
9	--- Air vent tube - Fan heater					
	8-97101-638-0			01	ABCD	
16	--- Damper - Middle-upper part of fan heater					
	8-97101-642-0			01	ABCD	
17	--- Damper - Middle of fan heater					
	8-97101-640-0			01	ABCD	
30	--- Screw - Fan heater					
	8-94324-850-0			11	ABCD	M4× 16
31	--- Washer - Fan heater					
	8-94129-950-0			01	ABCD	
32	--- Screw - Fan heater					
	9-09829-324-1			01	ABCD	
33	--- Damper rod					
	8-97087-566-0			02	ABCD	
34	--- Damper arm - Fan heater					
	8-97101-669-0			01	ABCD	
35	--- Damper arm - Fan heater					
	8-97101-673-0			03	ABCD	

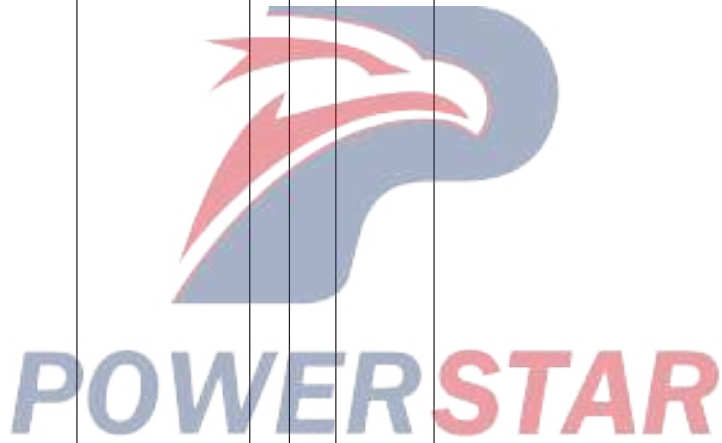
### Front warm air blower assembly

**8-60**

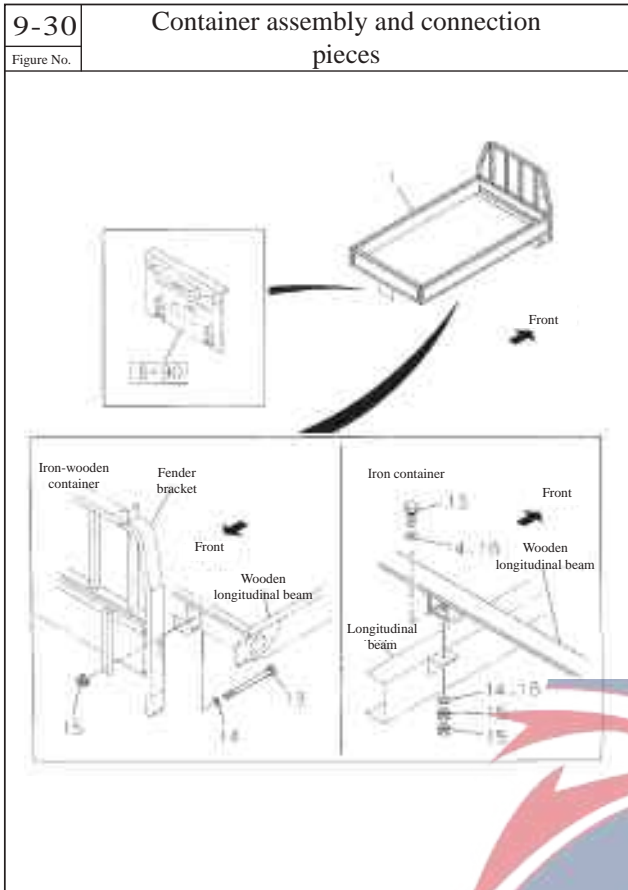
Figure No.

S/N	Recommended specification / name of part				
	Isuzu figure No.	QingLing figure No.	Left/Right	Qty.	Applicable models / applicable status / notes
					A _____ Wheelbase 2490mm B _____ Wheelbase 2765mm C _____ Wheelbase 3360mm D _____ Wheelbase 3815mm
37	--- Rod - Damper 8-97101-677-2			02	ABCD
53	--- Rod - Damper 8-97087-567-1			01	ABCD
54	--- Fixation clamp - Damper rod 1-83574-136-0			03	ABCD
56	--- Drag arm - Fan heater 8-97096-142-0			03	ABCD
59	--- Side damper - Fan heater 8-97101-641-0			01	ABCD
60	--- Combined door - Fan heater 8-97087-556-1			01	ABCD
61	--- Shell - Fan heater 8-97101-634-4			01	ABCD (A)
	8-97101-635-4			01	ABCD (B)
	8-97101-636-4			01	ABCD (C)
63	--- Gasket - Fan heater 8-97131-580-0			01	ABCD

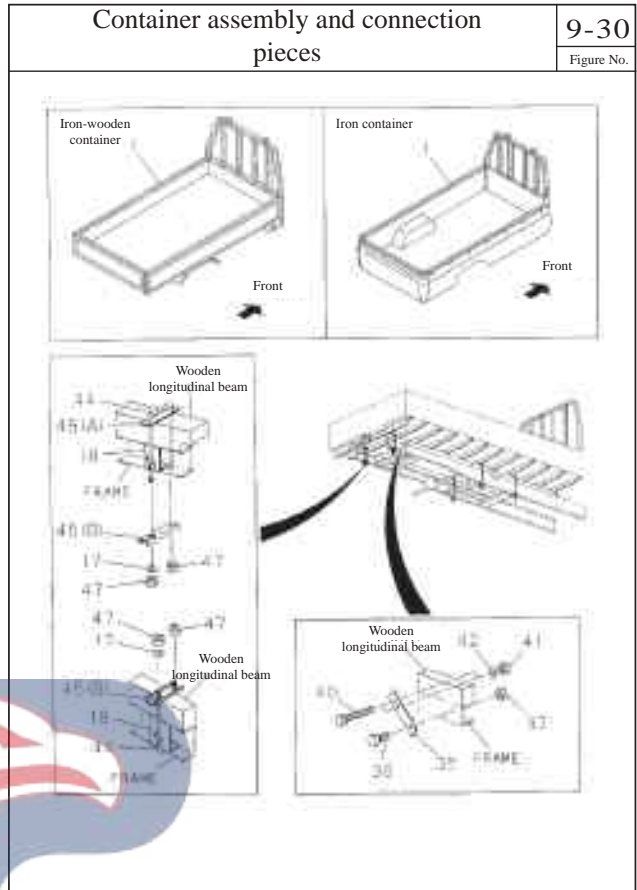
8-60		Front warm air blower assembly				
Figure No.		Recommended specification / name of part				
S/N	Isuzu figure No.	QingLing figure No.	Left/Right	Qty.	Applicable models / applicable status / notes	
					A	Wheelbase 2490mm
					B	Wheelbase 2765mm
					C	Wheelbase 3360mm
					D	Wheelbase 3815mm
64	--- Drag arm - Combined door					
	8-97101-670-1			01	ABCD	
65	--- Rod - Combined door					
	8-97200-276-0			01	ABCD	



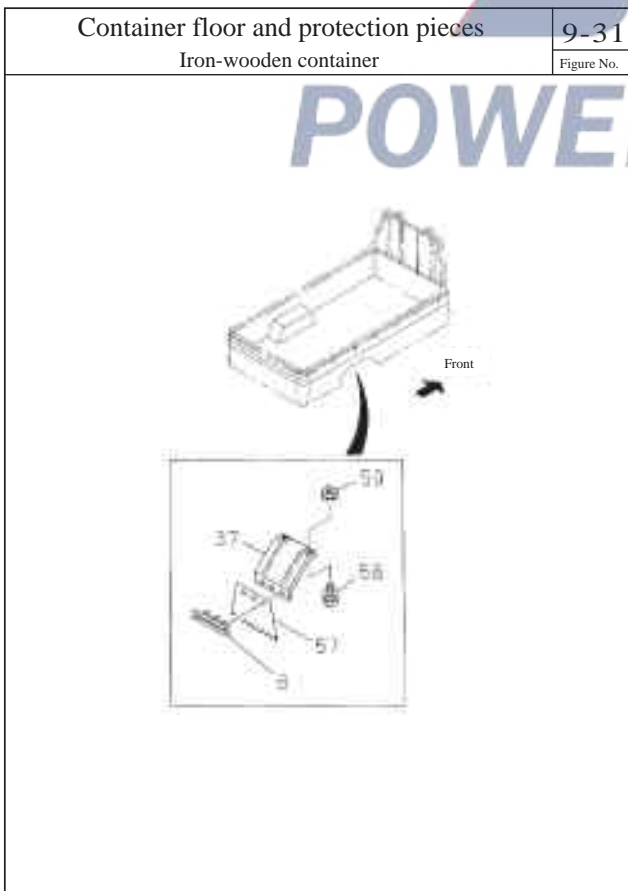
### Catalogue of 4KH1 - TC engine



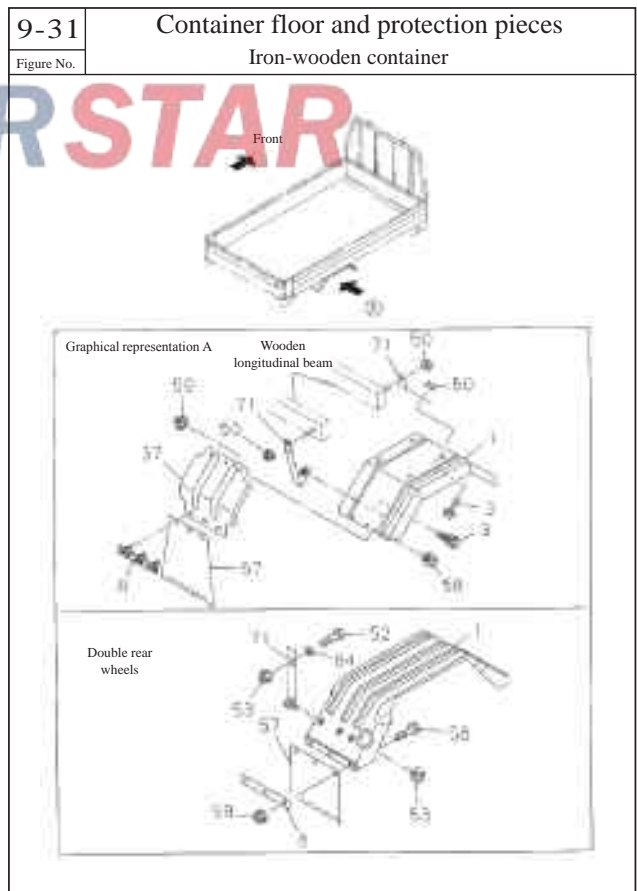
P- 652



P- 653

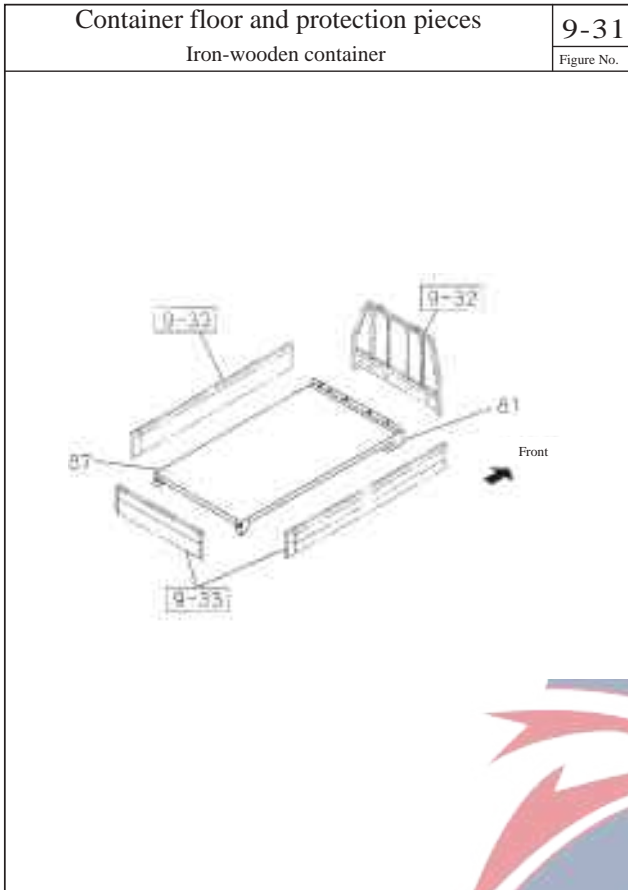


P- 661

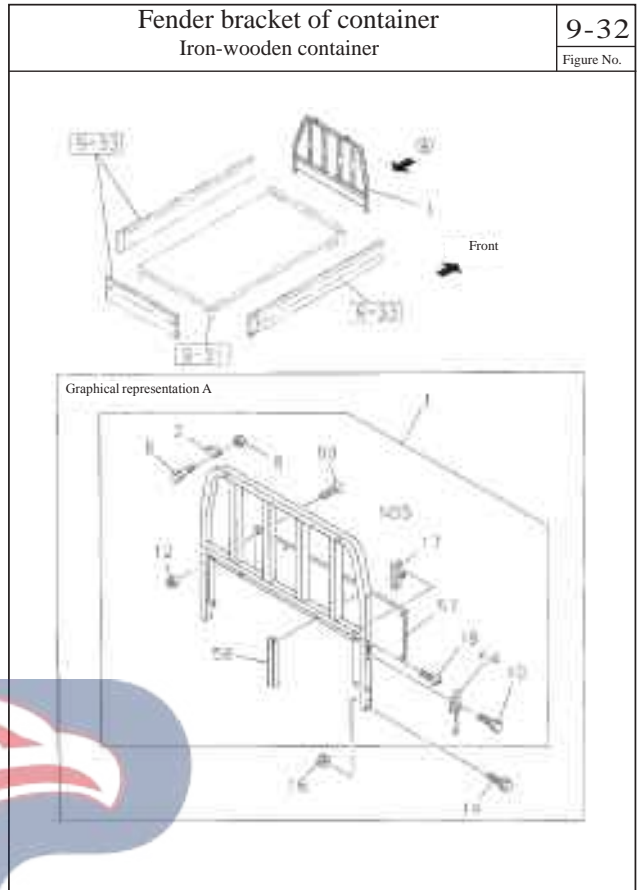


P- 662

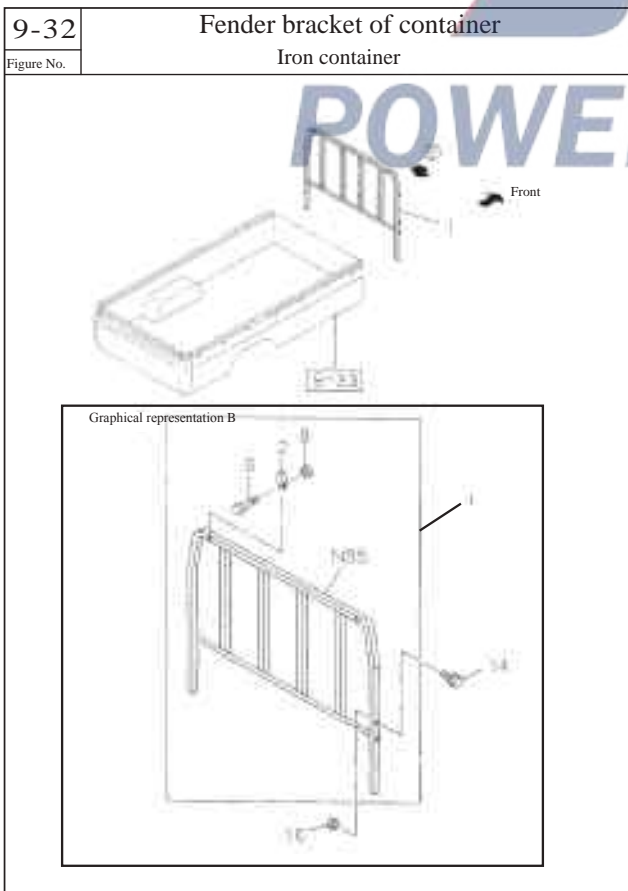
## Catalogue of 4KH1 - TC engine



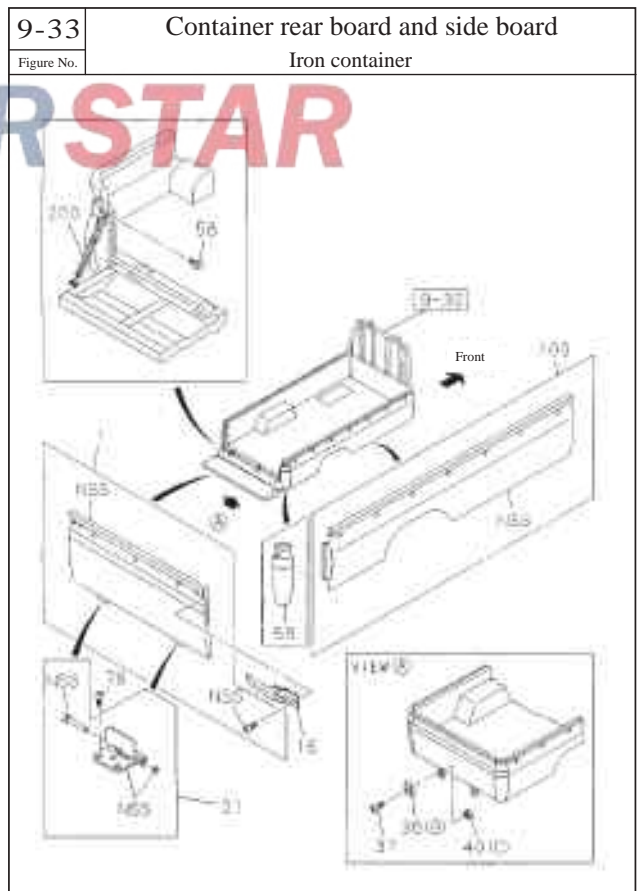
P- 663



P- 667



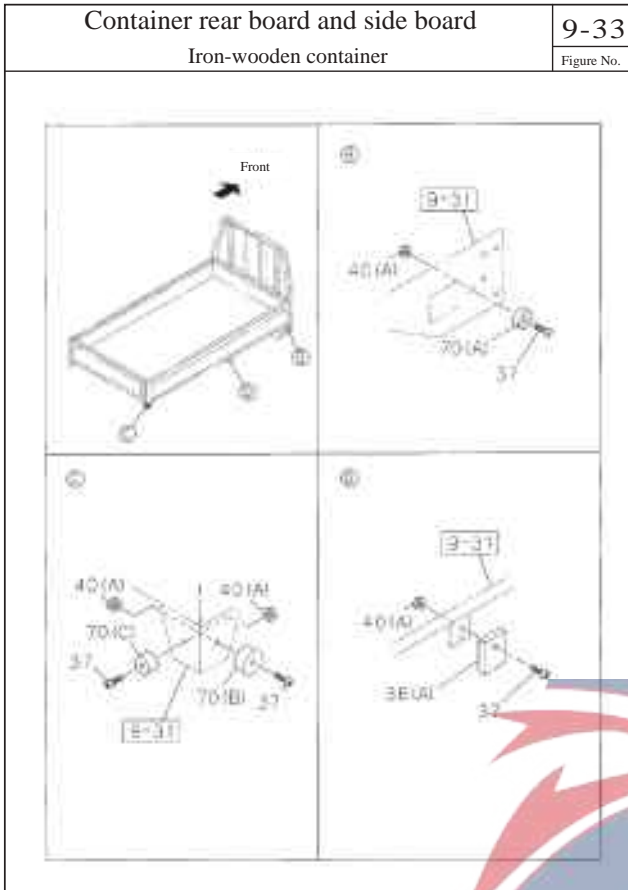
P- 668



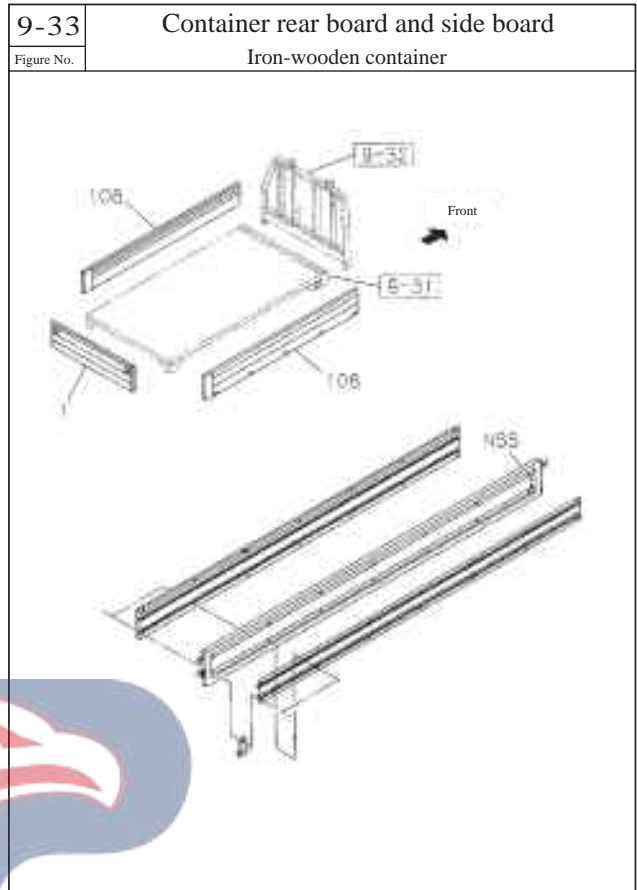
P- 672



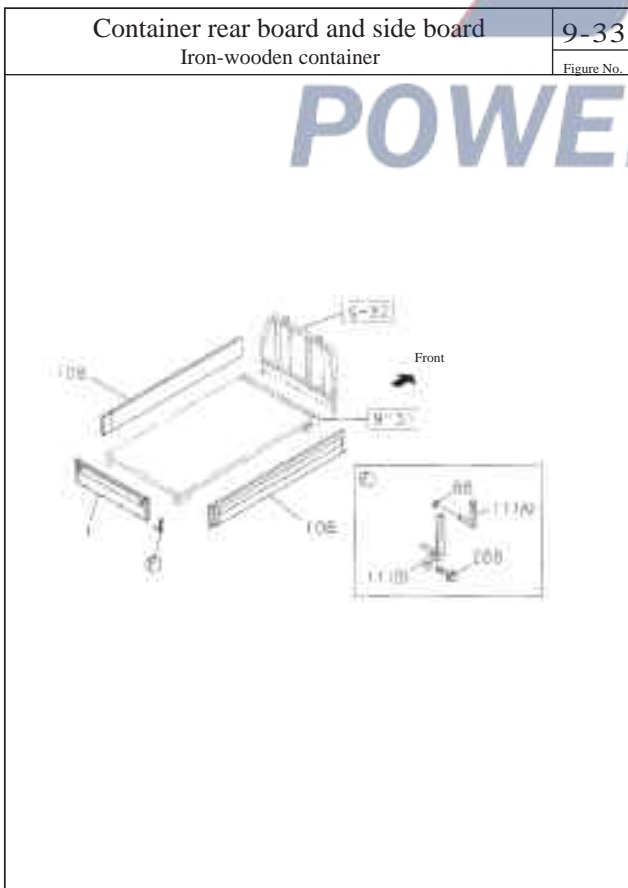
### Catalogue of 4KH1 - TC engine



P- 673



P- 674



P- 675

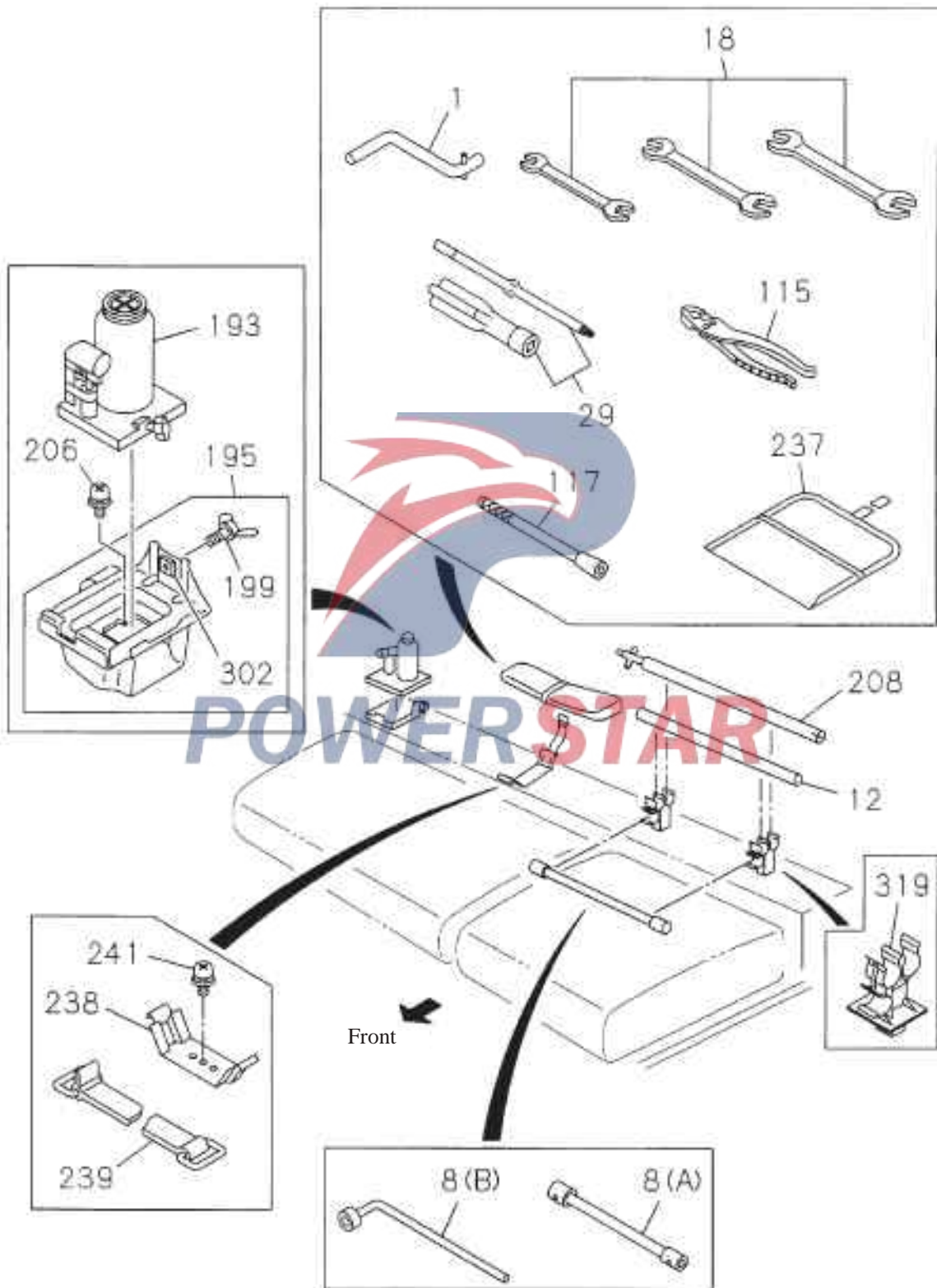
**POWERSTAR**



9-01

Tools

Figure No.



Tools

9-01

Figure No.

S/N	Recommended specification / name of part					
	Isuzu figure No.	QingLing figure No.	Left/Right	Qty	Applicable models / applicable status / notes	
					A	Wheelbase 2490mm
					B	Wheelbase 2765mm
C					Wheelbase 3360mm	
D	Wheelbase 3815mm					
1	--- Spare wheel up-down regulator rocker assembly					
	8-97218-985-0	3900320-10		01	ABCD	
8	--- Wheel nut wrench					
	9-85113-935-0	3900151-10		01	A Only for 4JB1 engine (B) B=23 Length =300	
	8-94386-490-1	3900151-15		01	BCD 4KH1 engine BC 4JB1 engine (A) 41×19 Length =330	
12	--- Wheel wrench					
	8-97332-988-0	3900152-15		01	BC 4JB1 engine BCD 4KH1 engine Outer diameter =25 Length =590	
18	--- Solid wrench suite					
	9-85161-902-0	3900300-10		01	ABCD	
29	--- “Cross” “linear” combined screwdriver					
	8-94242-798-1	3900140-10		01	ABCD <+><-> Length =160	
115	--- Clamp 150					
	5-85171-002-0	3900120-10		01	ABCD	

9-01		Tools				
Figure No.						
S/N	Recommended specification / name of part					
	Isuzu figure No.	QingLing figure No.	Left/Right	Qty.	Applicable models / applicable status / notes	
					A Wheelbase 2490mm	
					B Wheelbase 2765mm	
					C Wheelbase 3360mm	
					D Wheelbase 3815mm	
117	--- Valve wrench					
	9-85163-906-1	3900161-15		01	ABCD	
193	--- Hydraulic jack assembly					
		3900210-861		01	CD Only 4KH1 engine 6T level	
	8-97371-124-0	3900210-10		01	A Only 4KH1 engine 5T level	
	8-97371-123-0	3900210-15		01	BC 4JB1 engine B Only 4KH1 engine 4T level	
195	--- Jack stand assembly					
	8-97371-124-0	8200190-803			BCD 4KH1 engine, only for single cab ABC 4JB1 engine, only for single cab	
	8-94262-068-2	3900290-26		01	BCD 4KH1 engine, only for crew cab ABC 4JB1 engine, only for crew cab	
199	--- Butterfly bolt-jack					
	8-94279-136-0			01	ABCD	
206	--- Tapping screw-jack stand					
	8-94279-403-0	Q2360620		01	ABCD M6×20	

Tools

9-01

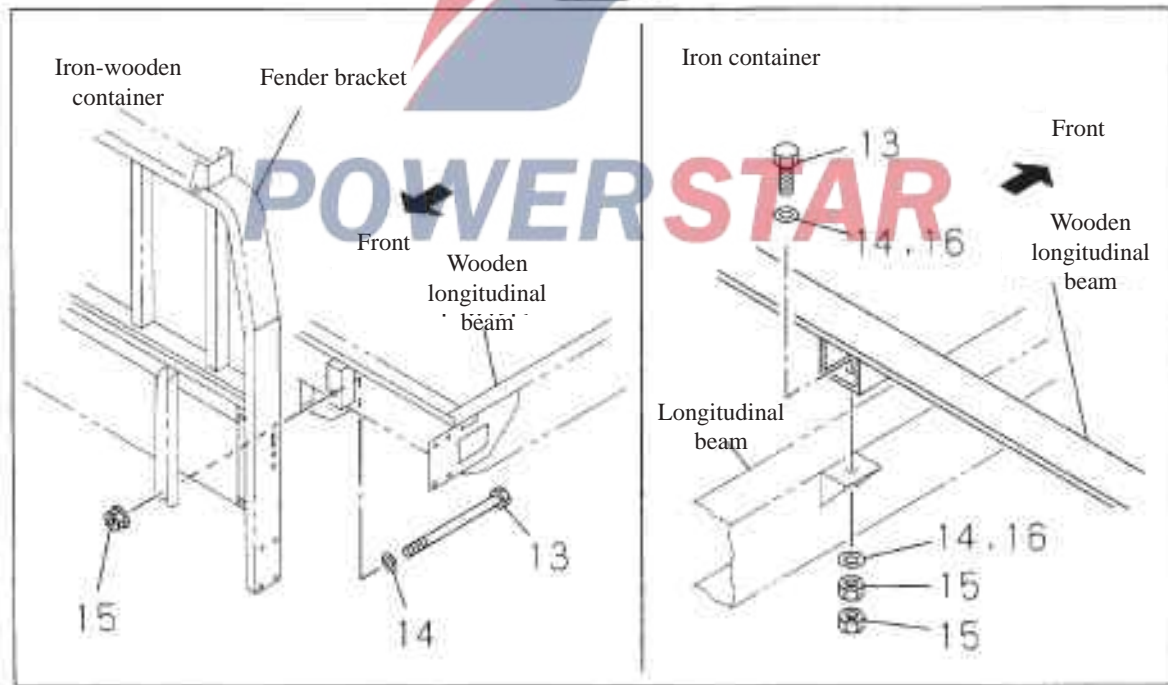
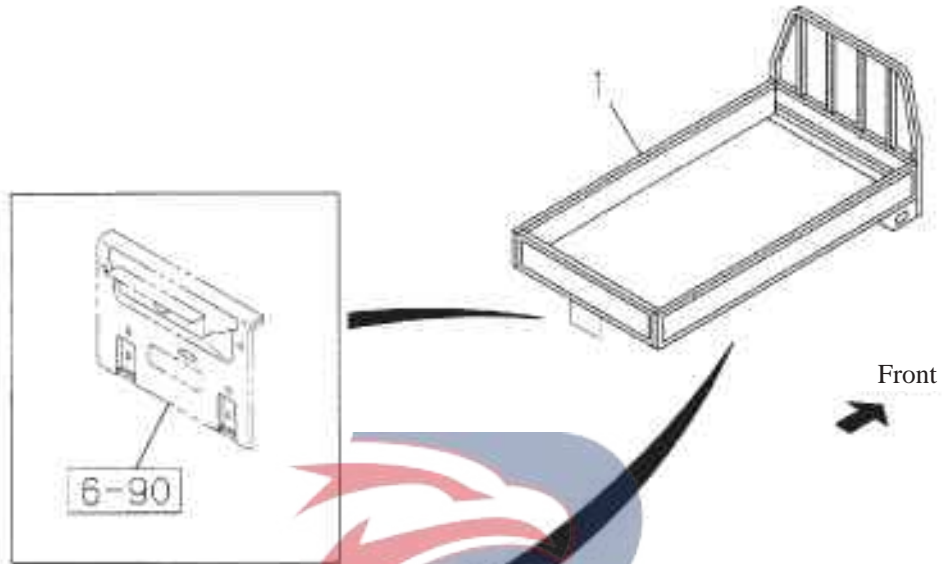
Figure No.

S/N	Recommended specification / name of part					
	Isuzu figure No.	QingLing figure No.	Left/Right	Qty.	Applicable models / applicable status / notes	
					A	Wheelbase 2490mm
					B	Wheelbase 2765mm
C					Wheelbase 3360mm	
D	Wheelbase 3815mm					
208	--- Jack rocker arm assembly					
8-97217-800-0	3900310-10		01	ABCD	Length = 642	
237	--- Tool bag assembly					
8-97130-903-0	3900110-10		01	ABCD		
238	--- Bracket - tool bag					
8-97994-977-0			01	BCD	4JB1 engine, only for single cab	
				ABC	4KH1 engine, only for single cab	
239	--- Fixing band- tool bag					
5-73997-026-1			01	ABCD	Length = 100	
241	--- Self-tapping screw					
8-94279-403-0	Q2360620		01	ABCD	M6×20	
302	--- Nut - jack stand					
8-94279-522-0			01	ABCD		
319	--- Fixation clamp assembly- rocker					
8-97853-077-2	8200170-803		02	ABCD		

9-30

Car frame and other components

Figure No.



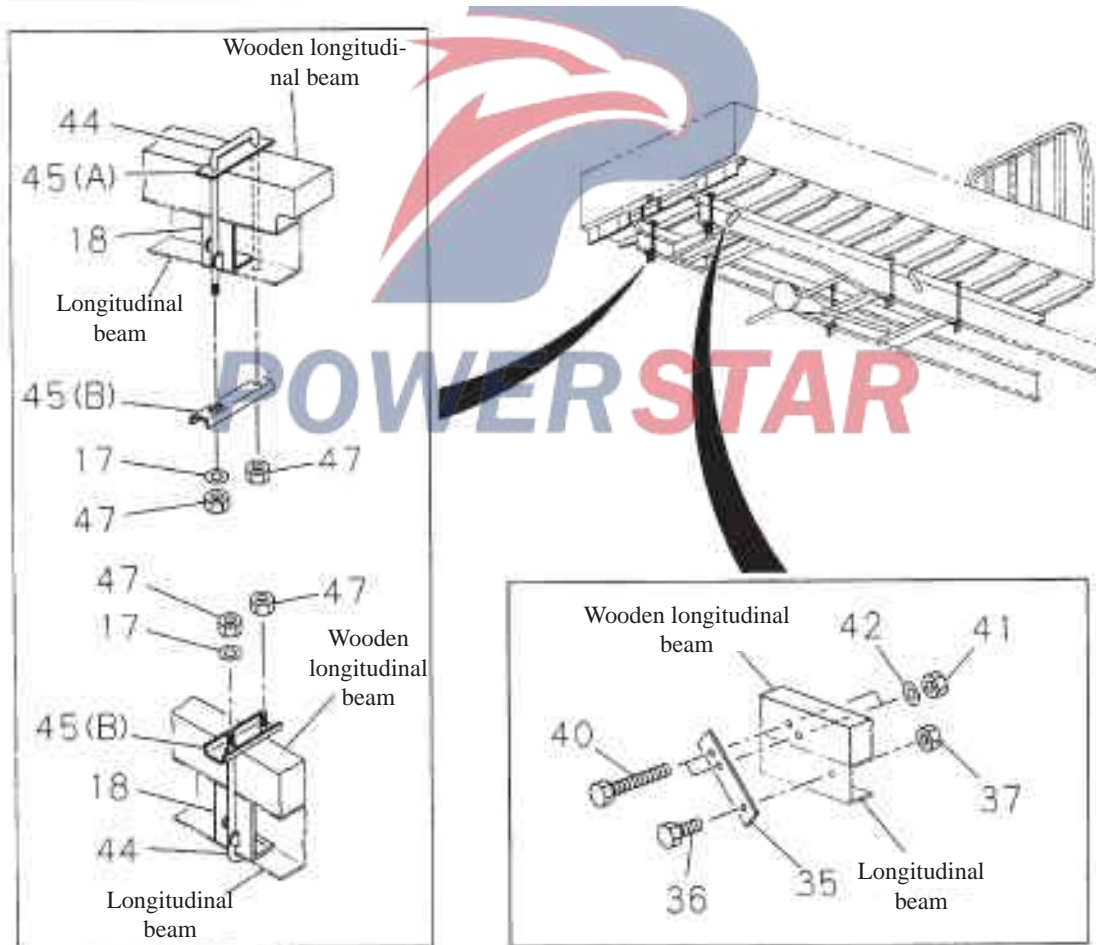
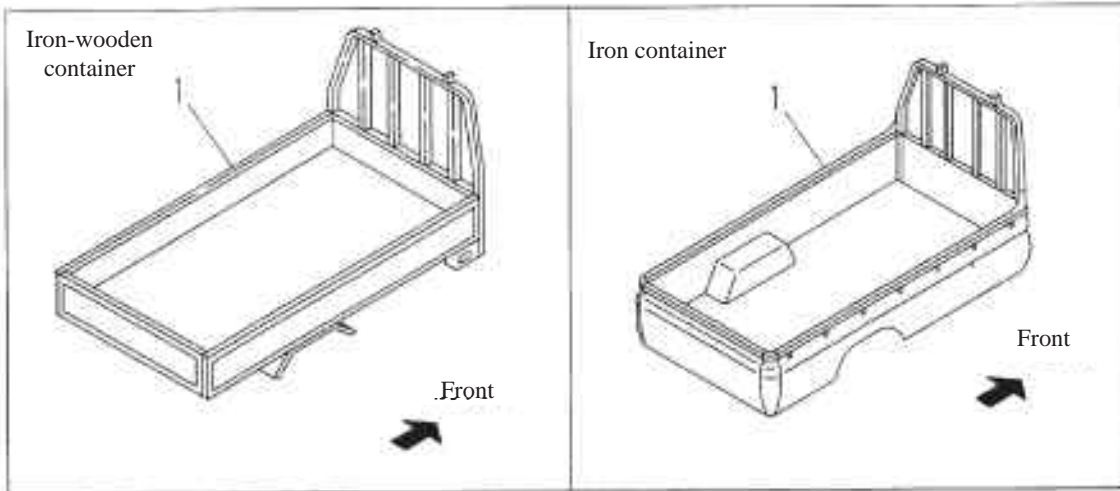


# Car frame and other components

9-30

## Bracket

Figure No.



9-30

## Container assembly and connection pieces

Figure No.

S/N	Recommended specification / name of part				
	Isuzu figure No.	QingLing figure No.	Left/Right	Qty.	Applicable models / applicable status / notes
					A B C D
1	--- Container assembly				
		8500010-13		01	ABCD 4JB1 engine only for single cab vehicle model with wheel base of 2490 and payload of 2T and 1.45T C 4KH1 engine only for single cab vehicle model with wheel base of 3360 and payload of 4.5T
		8500010-16A		01	C 4JB1 engine only for single cab vehicle model with wheel base of 2490 and payload of 2.75T
		8500010-801A		01	A 4JB1 engine only for crew cab vehicle model with wheel base of 2490 and payload of 1.75T B 4KH1 engine only for single cab vehicle model with wheel base of 2765 and payload of 1.95T and 4T
		8500010-35A		01	B 4JB1 engine only for single cab vehicle model with wheel base of 2763 and payload of 1.95T and 2.2T
		8500010-805A		01	C 4KH1 engine only for crew cab vehicle model with wheel base of 3815 and payload of 3.5T C 4JB1 engine only for crew cab vehicle model with wheel base of 3360 and payload of 1.95T
		8500010-807A		01	B 4KH1 engine only for crew cab vehicle model with wheel base of 2765 and payload of 1.75T and 1.85T B 4KH1 engine only for crew cab vehicle model with wheel base of 2765 and payload of 1.48T
		8500010-859A		01	D 4KH1 engine only for crew cab vehicle model with wheel base of 3360 and payload of 3.5T
		8500010-861A		01	D 4KH1 engine only for single cab vehicle model with wheel base of 3815 and payload of 4T
		8500010-861/A		01	D 4KH1 engine only for single cab wide-bodied vehicle model with wheel base of 3815 and payload of 4T

# Container assembly and connection pieces

# 9-30

Figure No.

S/N	Recommended specification / name of part						
	Isuzu figure No.	QingLing figure No.	Left/Right	Qty.	Applicable models / applicable status / notes		
					A	B	C
					Wheelbase 2490mm		
				Wheelbase 2765mm			
				Wheelbase 3360mm			
				Wheelbase 3815mm			
13	--- Bolt - connect the container						
	0-28681-240-0	Q1841240		08	A	Only for crew cab vehicle model with 4JB1 engine, wheelbase of 2490	
14	--- Large washer-connect the container						
	9-09164-712-0	Q40212		14	A	4JB1 engine for crew cab vehicle model with wheel base of 2490 Inside diameter =12	
15	---Nut - connect the container						
	9-99110-412-0	Q341B12		16	A	Only for crew cab vehicle model with 4JB1 engine, wheelbase of 2490 M12	
16	--- Flat washer						
	9-09164-612-0	Q40112		02	A	Only for crew cab vehicle model with 4JB1 engine, wheelbase of 2490 Inside diameter =12	
17	--- Flat washer						
	9-09164-512-0	Q40112		06	B	4JB1 engine Inside diameter =12	
	9-09164-512-0	Q40112		12	BC	4KH1 engine only for single cab vehicle model with wheel base of 2965 and the vehicle model with wheel base of 3360	
	9-09164-512-0	Q40112		16	A C	4JB1 engine only for single cab vehicle model with wheel base of 2490 and the vehicle model with wheel base of 3360	
	9-09164-512-0	Q40112		20	D	4KH1 engine only for crew cab vehicle model with wheel base of 3815 Inside diameter =14	
	9-09164-512-0	Q40112		20	D	4KH1 engine only for single cab vehicle model with wheel base of 3815	

9-30		Container assembly and connection pieces				
Figure No.						
S/N	Recommended specification / name of part					
	Isuzu figure No.	QingLing figure No.	Left/Right	Qty.	Applicable models / applicable status / notes	
					A Wheelbase 2490mm	
					B Wheelbase 2765mm	
					C Wheelbase 3360mm	
					D Wheelbase 3815mm	
18	--- Reinforced support-U-bolt					
	5-53119-091-3	8500053-15		02	B Only for crew cab vehicle model with 4KH1 engine, wheelbase of 2765 161×68	
	5-53119-091-3	8500053-15		06	D Only for crew cab vehicle model with 4KH1 engine, wheelbase of 2765 161×68	
	5-53119-091-3	8500053-13		04	A Only for single cab vehicle model with 4JB1 engine, wheelbase of 2490 161×52	
	5-53119-091-3	8500053-15		04	BCD Except the 4KH1 engine only for single cab vehicle model with wheel base of 3815 and crew-cab with wheel base of 2765 BC 4JB1 engine 161×68	
	5-53119-092-3	8500054-15		02	CD 4JB1 engine C 4KH1 engine 91×68	
	5-53119-094-2	8500054-13		02	A Only for single cab vehicle model with 4JB1 engine, wheelbase of 2490 121×47.5	
	5-53119-094-2	8500054-35		02	B D 4KH1 engine B 4JB1 engine 121×47.5	
35	--- Limited plate-container and carframe					
	9-53459-602-0	8500051-15		04	BCD 4KH1 engine ABC Except the crew cab vehicle model with 4JB1 engine, wheelbase of 2490 Length = 185	

Container assembly and connection pieces

9-30

Figure No.

S/N	Recommended specification / name of part					
	Isuzu figure No.	QingLing figure No.	Left/Right	Qty.	Applicable models / applicable status / notes	
					A	Wheelbase 2490mm
					B	Wheelbase 2765mm
					C	Wheelbase 3360mm
					D	Wheelbase 3815mm
36	--- Assembling bolt-limit plate and carframe					
	0-50041-030-0	Q1421030		04	BCD	4KH1 engine
					ABC	Except crew cab vehicle model with 4JB1 engine and wheelbase of 2490 M10×30
37	--- Flange nut - limit plate and carframe					
	0-91150-210-0	Q32010T13		04	BCD	4KH1 engine
					ABC	Except crew cab vehicle model with 4JB1 engine and wheelbase of 2490 M10
40	--- Bolt - limit plate and container					
	0-28080-870-0	Q150B0870		08	BCD	4KH1 engine
					ABC	Except crew cab vehicle model with 4JB1 engine and wheelbase of 2490 M8×70
41	--- Lock bolt- limit plate and container					
	9-09130-408-0	Q33408		08	BCD	4KH1 engine
					ABC	Except crew cab vehicle model with 4JB1 engine and wheelbase of 2490 M8
42	--- Big washer - limit plate and container					
	9-09164-708-0	Q40208		08	BCD	4KH1 engine
					ABC	Except crew cab vehicle model with 4JB1 engine and wheelbase of 2490 Inside diameter =8 Outer diameter = 22

9-30		Container assembly and connection pieces				
Figure No.		Recommended specification / name of part				
S/N	Isuzu figure No.	QingLing figure No.	Left/Right	Qty.	Applicable models / applicable status / notes	
					A	B
44	--- U-bolt-carling and container					
	8-94151-368-0	3500056-13		04	A	Only for single cab vehicle model with 4JB1 engine, wheelbase of 2490 Length = 326
	8-94151-372-0	8500057-13		02	A	Only for single cab vehicle model with 4JB1 engine, wheelbase of 2490 Length = 280
	5-51171-007-1	8500057-15		02	BCD	4KH1 engine
					BC	4JB1 engine
						Length = 272
	8-94317-633-0	8500056-15		04	C	Only for 4JB1 engine Length = 345
	8-94317-633-0	8500056-15		02	B	Only for 4JB1 engine Length = 345
		8500056-861		02	B	Only for crew cab vehicle model with 4KH1 engine, wheelbase of 2765
		8500056-861		04	BCD	Except the 4KH1 engine only for single cab vehicle model with wheel base of 3815 and crew cab with wheel base of 2765
		8500056-861		06	D	Only for single cab vehicle model with 4 KH 1 engine, wheelbase of 3815
45	--- Base plate - container and car frame					
	9-61200-629-2	8500058-13		06	A	Only for single cab vehicle model with 4JB1 engine, wheelbase of 2490 (B)
	8-94148-715-0	8500059-13		06	A	Only for single cab vehicle model with 4JB1 engine, wheelbase of 2490 (A)
	5-66900-203-0	8500058-15		10	D	4KH1 engine only for single cab vehicle model with wheel base of 3815 (A) Length =116 Width = 35

Container assembly and connection pieces

9-30

Figure No.

S/N	Recommended specification / name of part					
	Isuzu figure No.	QingLing figure No.	Left/Right	Qty.	Applicable models / applicable status / notes	
					A	Wheelbase 2490mm
					B	Wheelbase 2765mm
C					Wheelbase 3360mm	
D	Wheelbase 3815mm					
45	--- Base plate - container and car frame					
5-66900-203-0	8500058-15		04	B	Only for crew cab with 4KH1 engine, wheelbase of 2765	
				B	4JB1 engine	
				(A)	Length =116 Width = 35	
5-66900-203-0	8500058-15		06	BC	4KH1 engine only for single cab vehicle model with wheel base of 2765 and the vehicle model with wheel base of 3360	
				C	4JB1 engine	
				(A)	Length = 116 =35 width	
5-66900-203-0	8500058-15		08	D	Only for crew cab with 4KH1 engine, wheelbase of 3815	
				(A)	Length = 116 =35 width	
5-66900-203-0	8500059-15		04	D	Only for crew cab vehicle model with 4KH1 engine, wheelbase of 2765	
				B	4JB1 engine	
				(B)	Length = 120 =45 width	
5-66900-204-3	8500059-15		06	BC	Except the 4KH1 engine for crew cab vehicle model with wheel base of 2765	
				C	4JB1 engine	
				(B)	Length = 120 =45 width	
5-66900-204-3	8500059-15		08	D	Only for crew cab vehicle model with 4KH1 engine, wheelbase of 3815	
				(B)	Length = 120 =45 width	



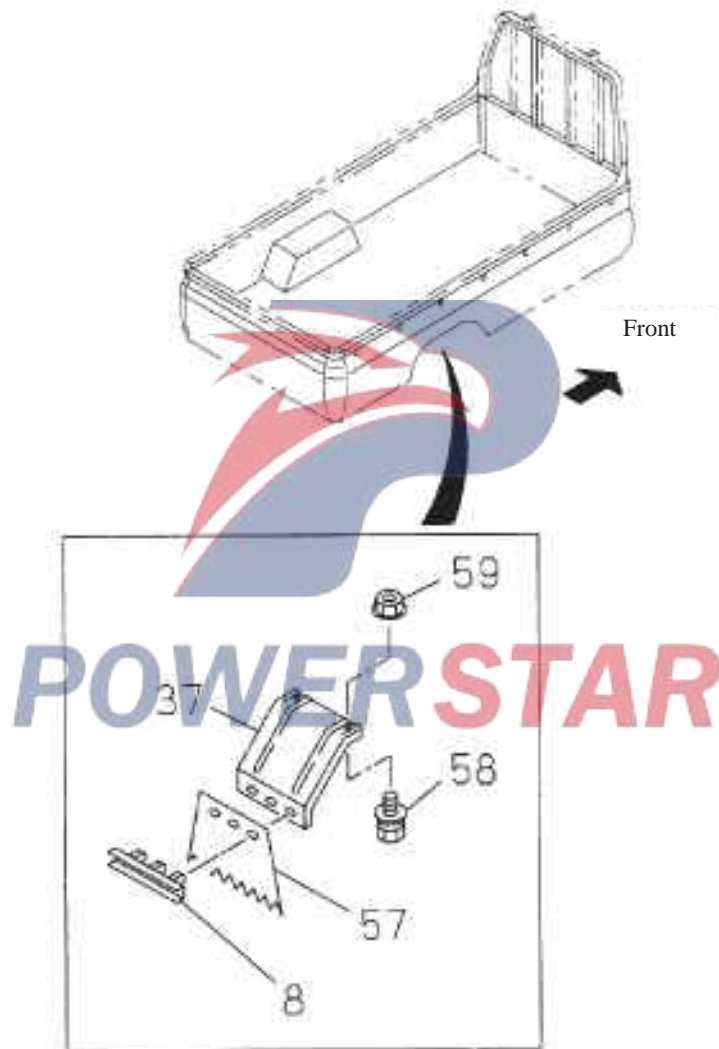
9-30		Container assembly and connection pieces				
Figure No.						
S/N	Recommended specification / name of part					
	Isuzu figure No.	QingLing figure No.	Left/Right	Qty.	Applicable models / applicable status / notes	
					A Wheelbase 2490mm B Wheelbase 2765mm C Wheelbase 3360mm D Wheelbase 3815mm	
45	--- Base plate - container and car frame					
	5-66900-204-3	8500059-15		10	D 4KH1 engine for single cab vehicle model with wheel base of 3815	
47	--- Locknut- U-bolt					
	9-09130-412-0	Q33412		12	BC Except the crew cab vehicle model with 4JB1 engine, wheelbase of 2490	
					A C Except the 4KH1 engine for crew can vehicle model with wheel base of 2765 M12	
	9-09130-412-0	Q33412		16	D Only for crew cab vehicle model with 4KH1 engine, wheelbase of 3815 M12	
	9-09130-412-0	Q33412		20	D Only for single cab vehicle model with 4 KH 1 engine, wheelbase of 3815 M12	
	9-09130-412-0	Q33412		08	B Only for crew cab vehicle model with 4KH1 engine, wheelbase of 2765 B 4JB1 engine M12	

Container floor and protection pieces

Iron-wooden container

9-31

Figure No.

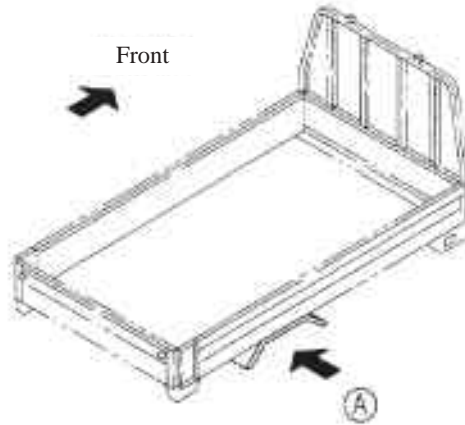


9-31

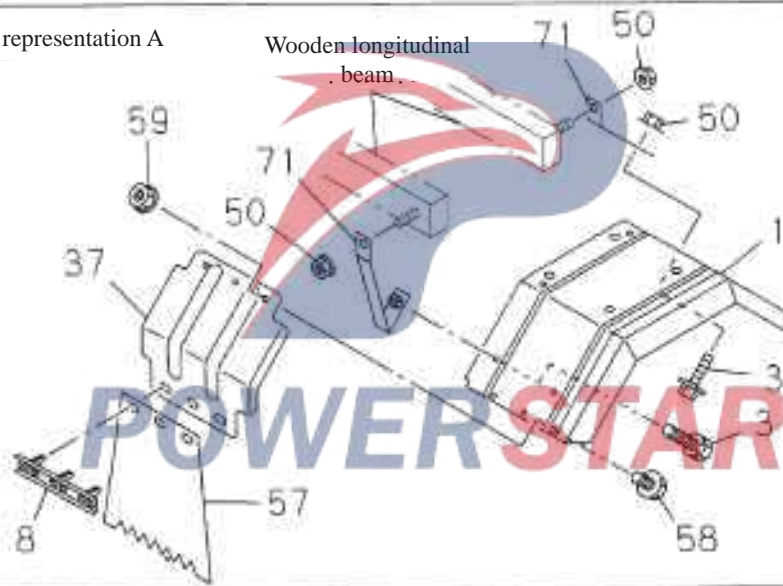
# Container floor and protection pieces

Figure No.

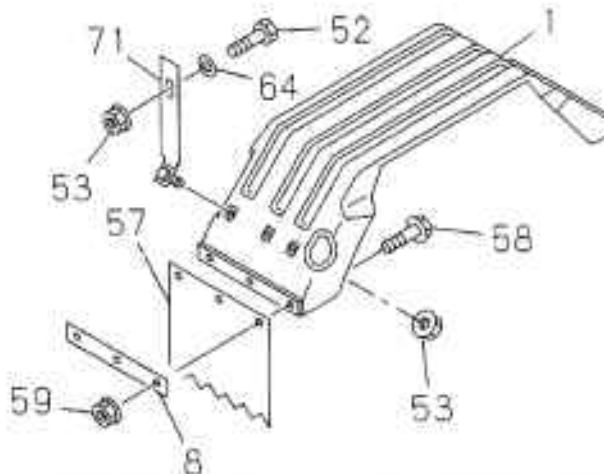
Iron-wooden container



Graphical representation A



Double rear wheels

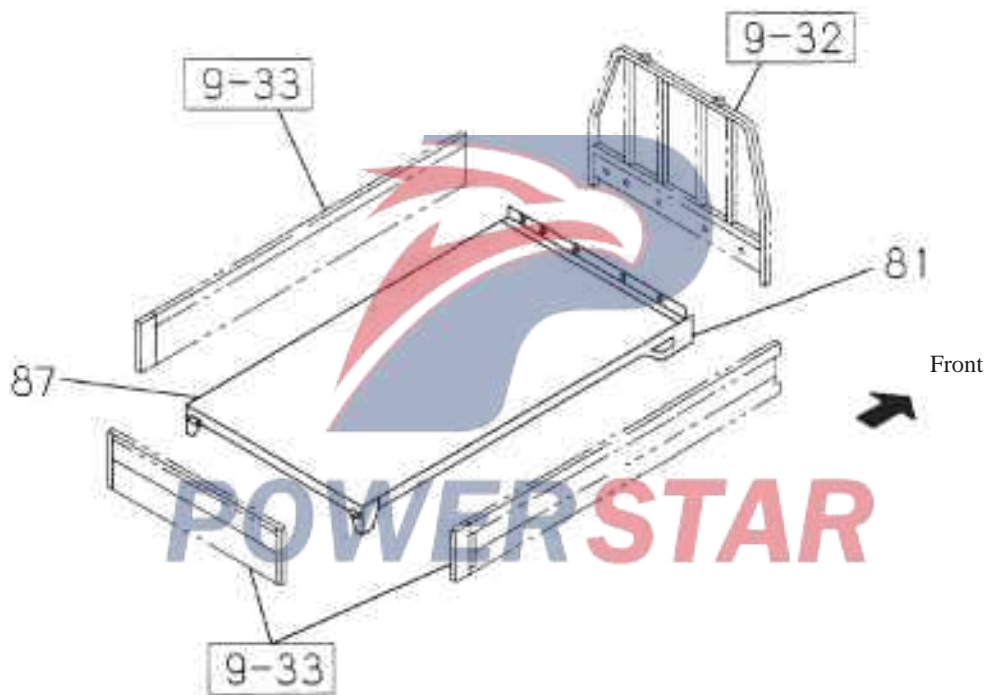


Container floor and protection pieces

Iron-wooden container

9-31

Figure No.



9-31

## Container floor and protection pieces

Figure No.

S/N	Recommended specification / name of part					
	Isuzu figure No.	QingLing figure No.	Left/Right	Qty.	Applicable models / applicable status / notes	
					A	B
1	--- Wheel cover assembly					
		8500020-13	Left	01	A	Only for single cab vehicle model with 4JB1 engine, wheelbase of 2490
		8500030-13	Right	01	A	Only for single cab vehicle model with 4JB1 engine, wheelbase of 2490
		8500020-15	Left	01	BCD	
		8500020-35	Right	01	BCD	
3	--- Bolt- wheel cover and container					
		Q150B0820		16	ABCD	Except crew cab vehicle model with 4JB1 engine and wheelbase of 2490 M8×20
8	--- Fixing plate- fender					
	8-97069-729-0	8511013-10		02	A	Only for 4JB1 engine
	8-97036-012-0	8511017-15		02	BCD	4JB1 engine
					BC	4KH1 engine
37	--- Bearing plate- bearing plate					
		8511016-13		02	A	4JB1 engine only for single cab vehicle model with wheel base of 2490
		8511016-15	Right	01	BCD	
		8511015-15	Left	01	BCD	
50	--- Nut-wheel cover					
		Q33408		08	ABCD	Except crew cab vehicle model with 4JB1 engine and wheelbase of 2490
52	--- Bolt-rear wheel cover					
	0-50040-860-0	Q150860		08	ABCD	Except crew cab vehicle model with 4JB1 engine and wheelbase of 2490

Container floor and protection pieces

9-31

Figure No.

S/N	Recommended specification / name of part					
	Isuzu figure No.	QingLing figure No.	Left/Right	Qty.	Applicable models / applicable status / notes	
					A	Wheelbase 2490mm
					B	Wheelbase 2765mm
C					Wheelbase 3360mm	
D	Wheelbase 3815mm					
53	--- Nut-rear wheel cover					
		Q33408		16	ABCD	Except crew cab vehicle model with 4JB1 engine and wheelbase of 2490 M8
57	--- Fender-rear wheel					
	8-97089-827-1	8511018-802		02	A	4JB1 engine Height = 330 Width = 280
	8-97091-425-0	8511018-15		02	BCD	4JB1 engine
					BC	4KH1 engine Height = 330 Width = 280
58	--- Bolt -fender					
	8-97065-432-2	Q150B0616		06	BCD	4JB1 engine
					BC	4KH1 engine
59	--- Locknut-bearing plate					
	8-97065-431-0	Q33406		06	A	Except the 4JB1 engine only for single cab vehicle model with wheel base of 2490
64	--- Washer-upper part of bearing plate					
		Q40308		08	ABCD	Except crew cab vehicle model with 4JB1 engine and wheelbase of 2490 Inside diameter =8
71	--- Strut -rear wheel cover					
		8500043-13		08	A	Only for single cab vehicle model with 4JB1 engine, wheelbase of 2490
		8500043-15		08	BCD	
81	--- Bottom plate assembly - container					
		8501010-13		01	A	Only for single cab vehicle model with 4JB1 engine, wheelbase of 2490
		8501010-16A		01	C	Only for single cab vehicle model with 4 KH 1 engine, wheelbase of 2765
					C	Only for single cab vehicle model with 4 KH 1 engine, wheelbase of 3360
		8501010-35A		01	B	Only for single cab vehicle model with 4JB1 engine, wheelbase of 3360

9-31

## Container floor and protection pieces

Figure No.

S/N	Recommended specification / name of part					
	Isuzu figure No.	QingLing figure No.	Left/Right	Qty	Applicable models / applicable status / notes	
					A	Wheelbase 2490mm
					B	Wheelbase 2765mm
C					Wheelbase 3360mm	
D	Wheelbase 3815mm					
81	--- aBottom plate assembly - container					
	8501010-35A			B	Only for single cab vehicle model with 4JB1 engine, wheelbase of 2765	
	8501010-801A		01	A	Only for single cab vehicle model with 4JB1 engine, wheelbase of 2490	
	8501010-859A		01	D	Only for crew cab vehicle model with 4KH1 engine, wheelbase of 3815	
	8501010-861A		01	C	Only for crew cab vehicle model with 4KH1 engine, wheelbase of 3360	
	8501010-861/A		01	D	Only for single cab vehicle model with 4KH1 engine, wheelbase of 3815	
	8501010-805A		01	C	Only for single cab vehicle model with 4KH1 engine, wheelbase of 3360	
				C	Only for single cab vehicle model with 4JB1 engine, wheelbase of 3360	
	8501010-807A		01	B	Only for crew cab vehicle model with 4KH1 engine, wheelbase of 2765	
				B	Only for crew cab vehicle model with 4KH1 engine, wheelbase of 2765	
87	--- Floor					
	8501142-13		01	A	Only for single cab vehicle model with 4JB1 engine, wheelbase of 2490	
	8501142-16A		01	C	Only for single cab vehicle model with 4KH1 engine, wheelbase of 3360	
				C	Only for single cab vehicle model with 4JB1 engine, wheelbase of 3360	
	8501142-35		01	B	4KH1 engine for single cab vehicle model with wheel base of 2765	
				B	Only for single cab vehicle model with 4JB1 engine, wheelbase of 2765	
	8501142-859		01	D	Only for crew cab vehicle model with 4KH1 engine, wheelbase of 3815	
	8501142-805		01	C	Only for crew cab vehicle model with 4KH1 engine, wheelbase of 3360	
				C	Only for crew cab vehicle model with 4JB1 engine, wheelbase of 3360	
	8501142-807		01	B	Only for crew cab vehicle model with 4KH1 engine, wheelbase of 2765	
				B	Only for crew cab vehicle model with 4JB1 engine, wheelbase of 2765	
	8501142-861A		01	D	Only for single cab vehicle model with 4 KH 1 engine, wheelbase of 3815	
	8501142-861/A		01	D	4KJH1 engine only for single cab wide-bodied vehicle model with wheel base of 3815	

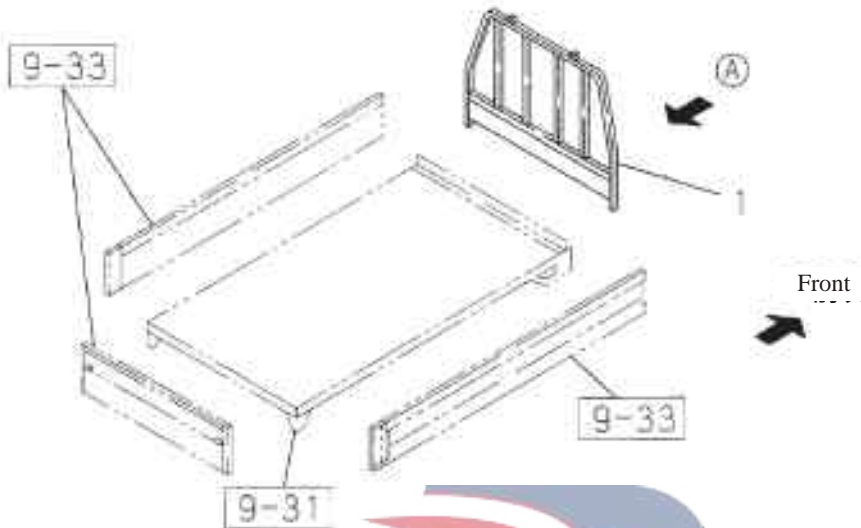


# Fender bracket of container

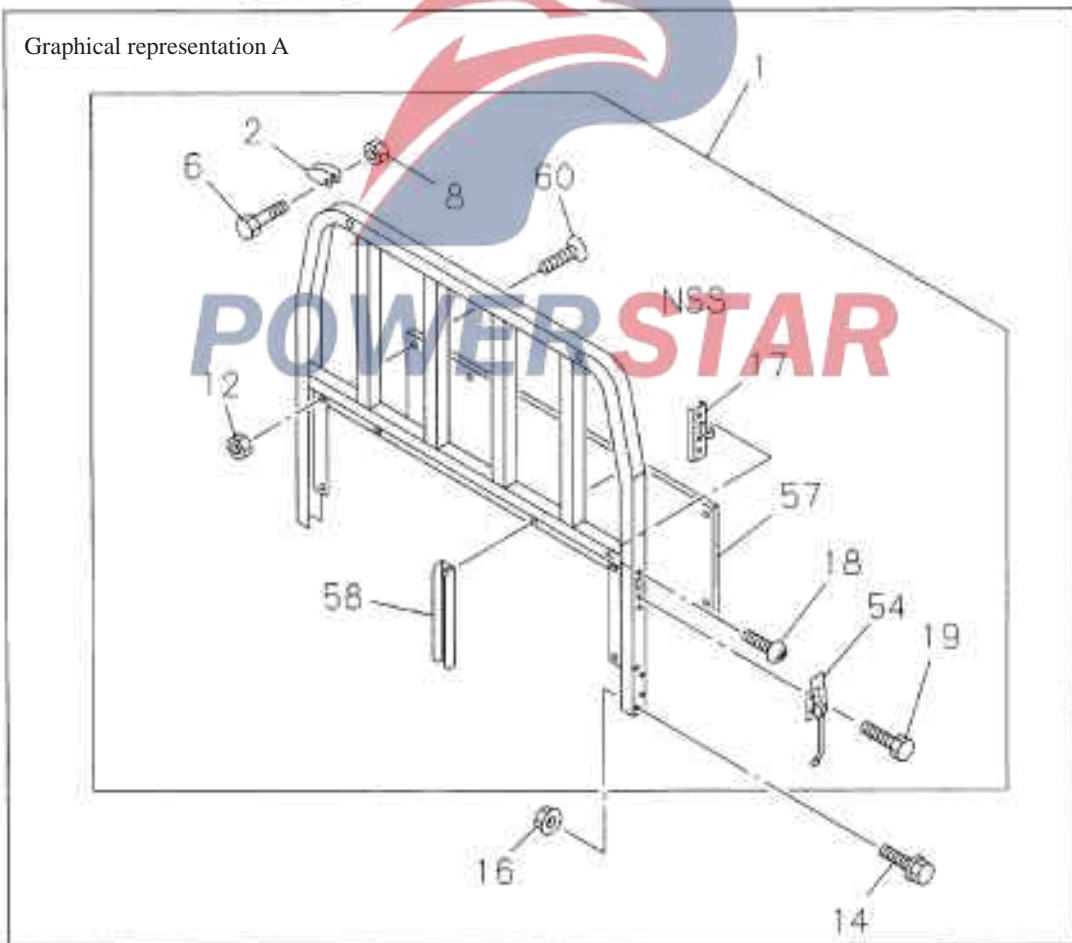
Iron-wooden container

9-32

Figure No.



Graphical representation A



9-32

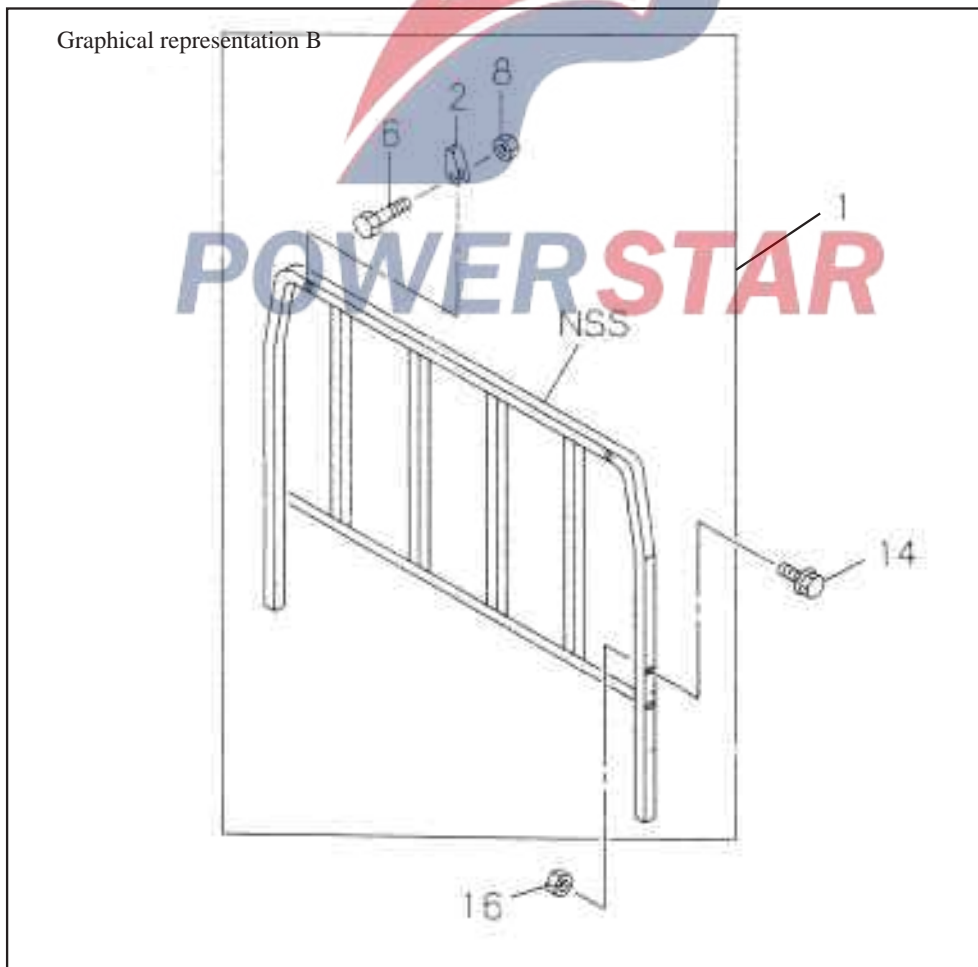
# Fender bracket of container

Figure No.

Iron container



Graphical representation B



Fender bracket of container

9-32

Figure No.

S/N	Recommended specification / name of part				
	Isuzu figure No.	QingLing figure No.	Left/Right	Qty.	Applicable models / applicable status / notes
					A B C D
1	<b>--- Protective frame assembly</b>				
		8500030-10		01	A Only for crew cab vehicle model with 4JB1 engine, wheelbase of 2490
		8504010-13		01	A 4JB1 engine only for single cab vehicle model with wheel base of 2490; container front plate assembly
		8504010-15A		01	BCD Except the 4KH1 engine for single cab wide-bodied vehicle model with wheel base of 3815; container front plate assembly
					BC 4JB1 engine container front plate assembly
		8504010-861/A		01	D 4KH1 engine only for single cab wide-bodied vehicle model with wheel base of 3815; container front plate assembly
2	<b>--- Stopper - fender bracket</b>				
		8500034-10		02	A Only for crew cab vehicle model with 4JB1 engine, wheelbase of 2490
		8500017-15		02	ABCD Except the crew cab vehicle model with 4JB1 engine, wheelbase of 2490
6	<b>--- Screw hole bolt- stopper and fender bracket</b>				
		Q173B1060		02	A Only for crew cab vehicle model with 4JB1 engine, wheelbase of 2490
		Q173C1095		02	ABCD Except the crew cab vehicle model with 4JB1 engine, wheelbase of 2490
8	<b>--- Nut- stopper</b>				
		Q351B10		02	A Only for crew cab vehicle model with 4JB1 engine, wheelbase of 2490
		Q341C10		02	ABCD Except the crew cab vehicle model with 4JB1 engine, wheelbase of 2490
12	<b>--- Nut- container front plate assembly and front plate</b>				
		Q351B08		08	A Only for single cab vehicle model with 4JB1 engine, wheelbase of 2490 M8
					BCD 4KH1 engine
		Q341C08		10	BC 4JB1 engine M8

9-32

## Fender bracket of container

Figure No.

S/N	Recommended specification / name of part				
	Isuzu figure No.	QingLing figure No.	Left/Right	Qty.	Applicable models / applicable status / notes
					A B C D
14	--- Bolt- bolt and connecting plate				
		Q150B0825		10	A Only for single cab vehicle model with 4JB1 engine, wheelbase of 2490 M8×25
		Q150B1225		12	BCD 4KH1 engine BC 4JB1 engine
16	--- Nut- bolt and connecting plate				
		Q33408		10	A Only for single cab vehicle model with 4JB1 engine, wheelbase of 2490 M8
		Q33412		12	BCD 4KH1 engine BC 4JB1 engine
17	---Hook				
		8504018-15		02	ABCD Except crew cab vehicle model with 4JB1 engine and wheelbase of 2490
18	--- Bolt-hook and fender bracket				
		Q150B0830		02	ABCD Except crew cab vehicle model with 4JB1 engine and wheelbase of 2490
19	-- Bolt - hook				
		Q150B0820		04	ABCD Except crew cab vehicle model with 4JB1 engine and wheelbase of 2490 M8×20
54	--- Front locking mechanism assembly				
		8505010-15		02	ABCD Except the crew cab vehicle model with 4JB1 engine, wheelbase of 2490

Fender bracket of container

9-32

Figure No.

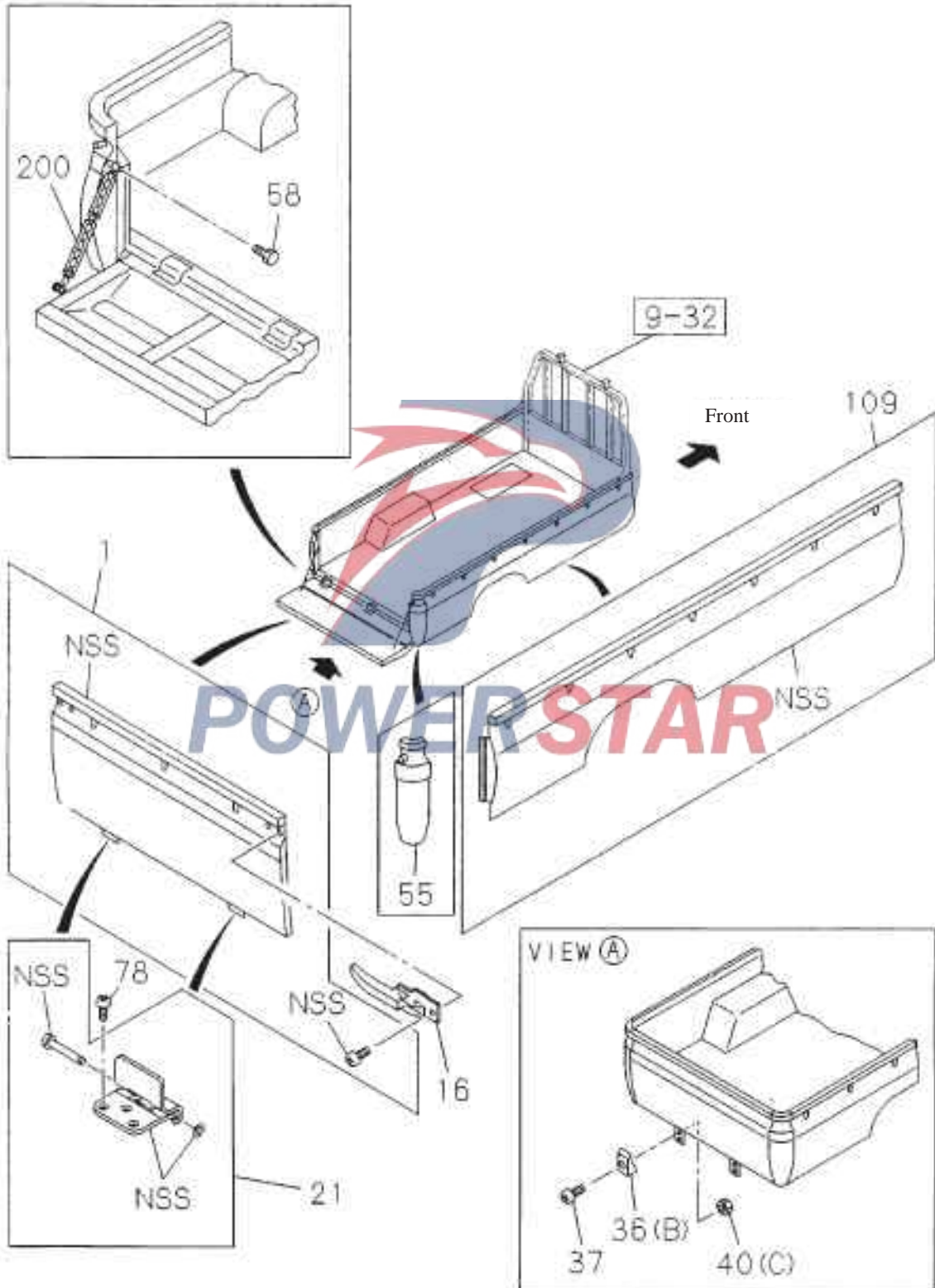
S/N	Recommended specification / name of part					
	Isuzu figure No.	QingLing figure No.	Left/Right	Qty.	Applicable models / applicable status / notes	
					A B C D	Wheelbase 2490mm Wheelbase 2765mm Wheelbase 3360mm Wheelbase 3815mm
57	--- Front plate	8504010-10		01	A	Only for crew cab vehicle model with 4JB1 engine, wheelbase of 2490
		8504024-13		01	A	Only for single cab vehicle model with 4JB1 engine, wheelbase of 2490
		8504016-15		01	BCD	Except the 4KH1 engine for single cab wide-bodied vehicle model with wheel base of 3815
		8504016-861/A		01	BC	4JB1 engine
58	--- Pillar- fender bracket				D	4KH1 only for single cab wide-bodied vehicle model with wheel base of 3815
		8500033-10		04	A	Only for crew cab vehicle model with 4JB1 engine, wheelbase of 2490
		8504016-13		05	A	Only for single cab vehicle model with 4JB1 engine, wheelbase of 2490
		8504014-15		06	BCD	4KH1 engine
60	--- Screw - front plate				BC	4JB1 engine
		Q2540830		08	A	Only for single cab vehicle model with 4JB1 engine, wheelbase of 2490
		Q2540830		10	BCD	4KH1 engine
					BC	4JB1 engine
						M8×30

9-33

Container rear board and side board

Figure No.

Iron container



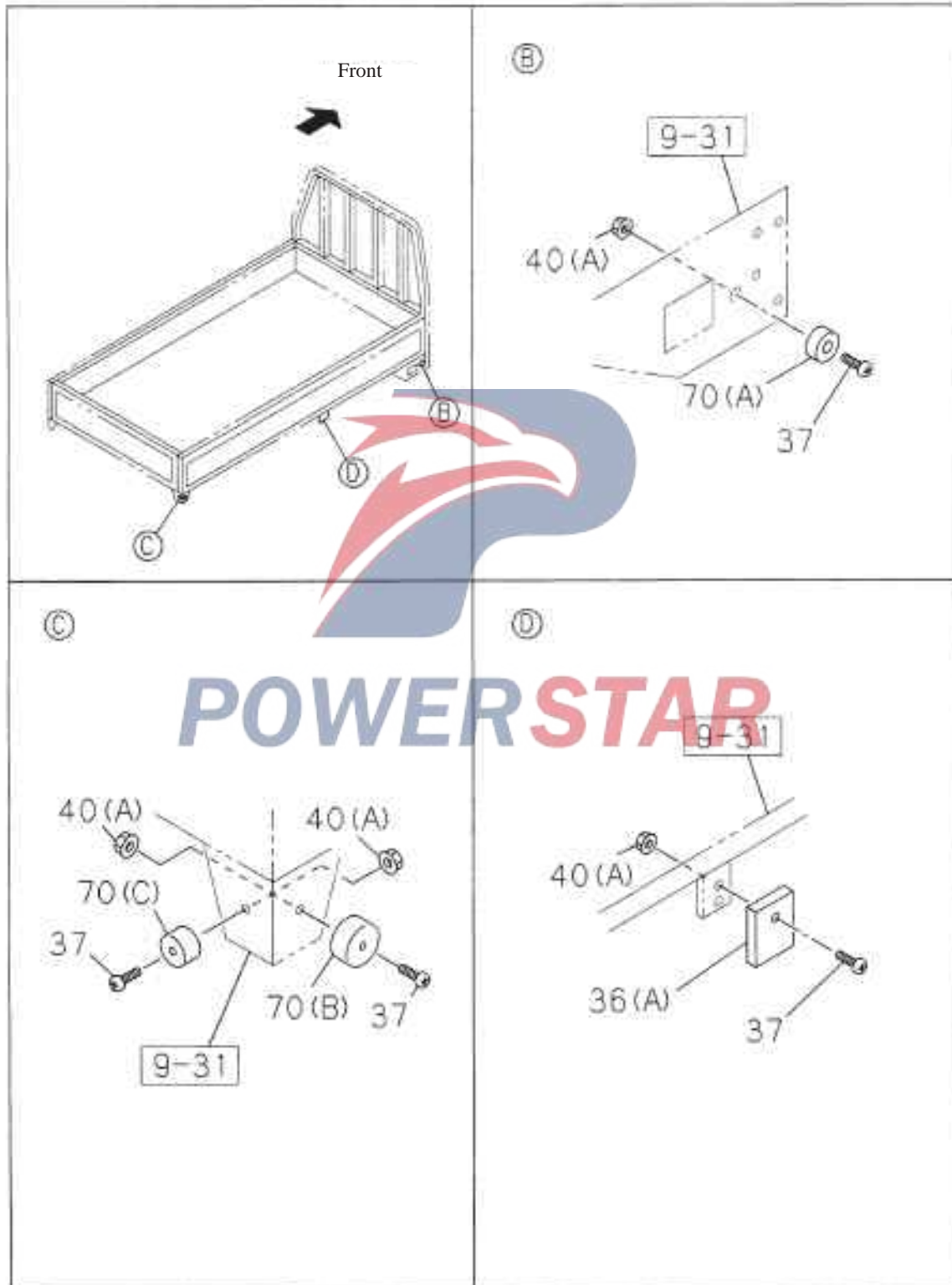


Container rear board and side board

Iron-wooden container

9-33

Figure No.



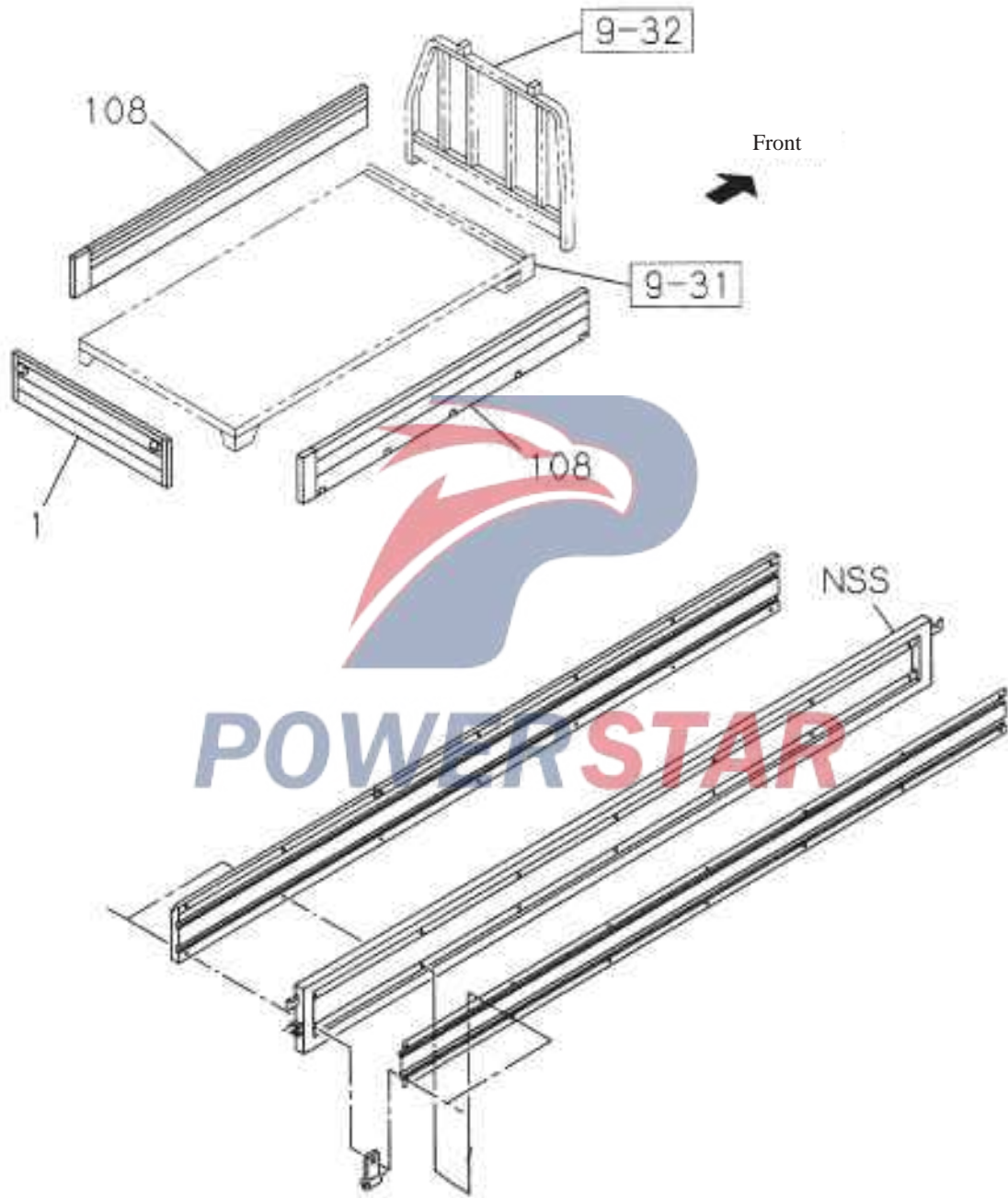


9-33

Container rear board and side board

Figure No.

Iron-wooden container

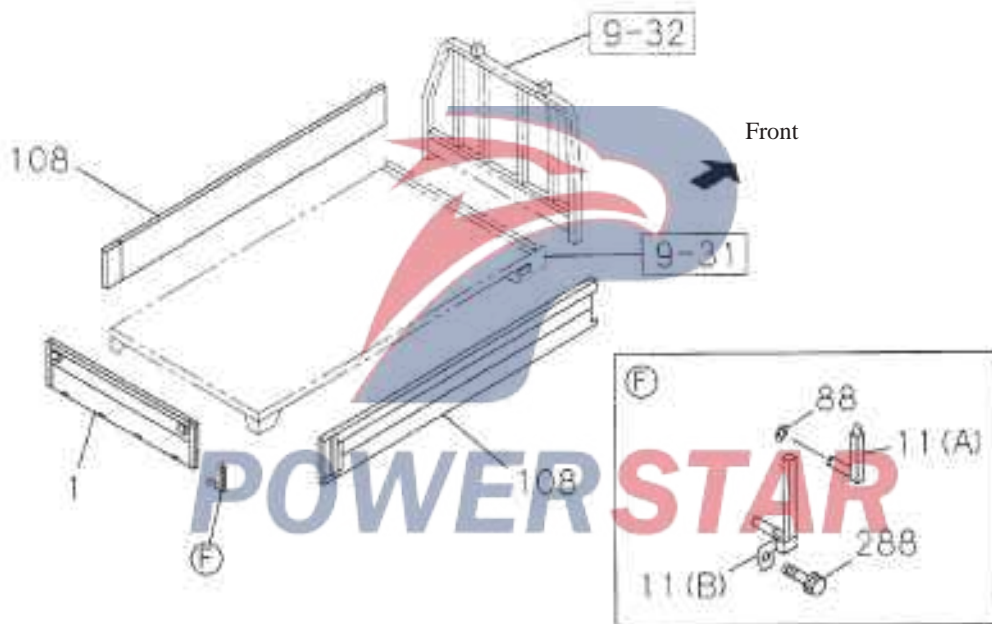


Container rear board and side board

Iron-wooden container

9-33

Figure No.



9-33

## Container rear board and side board

Figure No.

S/N	Recommended specification / name of part					
	Isuzu figure No.	QingLing figure No.	Left/Right	Qty.	Applicable models / applicable status / notes	
					A	B
						Wheelbase 2490mm
						Wheelbase 2765mm
						Wheelbase 3360mm
						Wheelbase 3815mm
1	--- Rear plate assembly					
	8-97197-060-0	8503010-10		01	A	Only for crew cab vehicle model with 4JB1 engine, wheelbase of 2490
		8503010-13		01	A	4JB1 engine only for single cab vehicle model with wheel base of 2490
		8503010-15		01	BCD	Except the single cab wide-bodied vehicle model with 4KH1 engine and wheel base of 3815
					BC	4JB1 engine
		8503010-861/A		01	D	4KH1 engine only for single cab wide-bodied vehicle model with wheel base of 3815
9	--- Rear plate lock					
		8505033-15	Left	01	ABCD	Except the crew cab vehicle model with 4JB1 engine, wheelbase of 2490
		8505034-15	Right	01	ABCD	Except the crew cab vehicle model with 4JB1 engine, wheelbase of 2490
11	--- Side plate rear plate assembly					
		8505040-15	Left	01	BCD	4KH1 engine
					ABC	Except the crew cab vehicle model with 4JB1 engine, wheelbase of 2490 (B)
		8505050-15	Right	01	BCD	4KH1 engine
					ABC	Except the crew cab vehicle model with 4JB1 engine, wheelbase of 2490 (B)
12	--- Handle cover					
		8505019-15		02	ABCD	Except the crew cab vehicle model with 4JB1 engine, wheelbase of 2490
14	--- Washer					
	9-09164-512-0	Q40212		02	ABCD	Except the crew cab vehicle model with 4JB1 engine, wheelbase of 2490 Inside diameter =12
16	--- Locking mechanism assembly					
	8-94197-052-0	8505020-10	Left	01	A	Only for crew cab vehicle model with 4JB1 engine, wheelbase of 2490
	8-94197-051-0	8505030-10	Right	01	A	Only for crew cab vehicle model with 4JB1 engine, wheelbase of 2490

Container rear board and side board

9-33

Figure No.

S/N	Recommended specification / name of part					
	Isuzu figure No.	QingLing figure No.	Left/Right	Qty.	Applicable models / applicable status / notes	
					A	Wheelbase 2490mm
					B	Wheelbase 2765mm
C					Wheelbase 3360mm	
D	Wheelbase 3815mm					
21	--- Hinge assembly					
	8-94197-058-0	8503070-10		03	A	Only for crew cab vehicle model with 4JB1 engine, wheelbase of 2490
36	--- Rear cushion					
		8500042-15		02	ABCD	Except the crew-cab vehicle model with 4JB1 engine, wheelbase of 2490 (A)
	5-66900-040-1	0303-		02	A	Only for crew cab vehicle model with 4JB1 engine, wheelbase of 2490 (B)
37	--- Screw - Rear cushion and container					
		Q2140630		06	ABCD	Except the crew cab vehicle model with 4JB1 engine, wheelbase of 2490
	8-94197-156-0	Q2140630		02	A	Only for crew cab vehicle model with 4JB1 engine, wheelbase of 2490
40	--- Nut - Rear cushion and container					
		Q33406		06	ABCD	Except the crew cab vehicle model with 4JB1 engine, wheelbase of 2490 (A)  M8
		Q33412		02	ABCD	Except the crew cab vehicle model with 4JB1 engine, wheelbase of 2490 (B)  M12
		Q33406		02	A	Only for crew cab vehicle model with 4JB1 engine, wheelbase of 2490 (C)  M6
55	--- Rear corner pillar assembly					
		8502060-10	Left	01	A	Only for crew cab vehicle model with 4JB1 engine, wheelbase of 2490
		8502070-10	Right	01	A	Only for crew cab vehicle model with 4JB1 engine, wheelbase of 2490

9-33		Container rear board and side board				
Figure No.						
S/N	Recommended specification / name of part					
	Isuzu figure No.	QingLing figure No.	Left/Right	Qty.	Applicable models / applicable status / notes	
A					Wheelbase 2490mm	
					B	Wheelbase 2765mm
					C	Wheelbase 3360mm
					D	Wheelbase 3815mm
58	--- Bolt- chain and container					
		Q150B1025T21		02	A	Only for crew cab vehicle model with 4JB1 engine, wheelbase of 2490 M10×25
70	--- Cushion					
		8500041-15		02	ABCD	Except the crew-cab vehicle model with 4JB1 engine, wheelbase of 2490 (C) Outer diameter =45 Height =28
		8500041-15		02	ABCD	Except the crew cab vehicle model with 4JB1 engine, wheelbase of 2490 (A) Outer diameter =60 Height =22
		8500041-15		02	ABCD	Except the crew cab vehicle model with 4JB1 engine, wheelbase of 2490 (B) Outer diameter =60 Height =28
78	--- Screw- hinge					
	8-94197-158-0			09	A	Only for crew cab vehicle model with 4JB1 engine, wheelbase of 2490
88	--- Spring collar					
		Q41408		02	ABCD	Rear locking mechanism, except the 4JB1 engine for crew cab vehicle model with wheel base of 2490
108	--- Side board assembly					
		8502010-13	Left	01	A	Only for single cab vehicle model with 4JB1 engine, wheelbase of 2490
		8502020-13	Right	01	A	Only for single cab vehicle model with 4JB1 engine, wheelbase of 2490
		8502010-16A	Left	01	C	Only for single cab vehicle model with 4JB1 engine, wheelbase of 2490

Container rear board and side board

9-33

Figure No.

S/N	Recommended specification / name of part					
	Isuzu figure No.	QingLing figure No.	Left/Right	Qty.	Applicable models / applicable status / notes	
					A	Wheelbase 2490mm
					B	Wheelbase 2765mm
C					Wheelbase 3360mm	
D	Wheelbase 3815mm					
108	---Side board assembly					
		8502020-16A	Right	01	C Only for single cab vehicle model with 4 KH 1 engine, wheelbase of 3360	
					C Only for single cab vehicle model with 4JB1 engine, wheelbase of 3360	
		8502010-850A	Left	01	C Only for single cab vehicle model with 4 KH 1 engine, wheelbase of 3360	
					C Only for crew cab vehicle model with 4KH1 engine, wheelbase of 3360	
		8502020-850A	Right	01	C Only for crew cab vehicle model with 4JB1 engine, wheelbase of 3360	
					C Only for crew cab vehicle model with 4KH1 engine, wheelbase of 3360	
		8502010-861/A	Left	01	D Only for single cab vehicle model with 4 KH 1 engine, wheelbase of 3815	
		8502020-861/A	Right	01	D Only for single cab vehicle model with 4 KH 1 engine, wheelbase of 3815	
		8502010-35A	Left	01	B Only for single cab vehicle model with 4JB1 engine, wheelbase of 2765	
					B Only for single cab vehicle model with 4 KH 1 engine, wheelbase of 2765	
	8502020-35A	Right	01	B Only for single cab vehicle model with 4JB1 engine, wheelbase of 2765		
				B Only for single cab vehicle model with 4 KH 1 engine, wheelbase of 2765		
	8502010-859/A	Left	01	D Only for crew cab vehicle model with 4KH1 engine, wheelbase of 3815		
	8502020-859A	Right	01	D Only for crew cab vehicle model with 4KH1 engine, wheelbase of 3815		
109	---Side board assembly					
		8502020-801	Right	01	A Only for crew cab vehicle model with 4JB1 engine, wheelbase of 2490	
	8502010-801	Left	01	A Only for crew cab vehicle model with 4JB1 engine, wheelbase of 2490		

9-33

## Container rear board and side board

Figure No.

S/N	Recommended specification / name of part					
	Isuzu figure No.	QingLing figure No.	Left/Right	Qty	Applicable models / applicable status / notes	
					A	B
200	--- Chain assembly					
	5-66600-033-0	8500020-10		02	A	Only for crew cab vehicle model with 4JB1 engine, wheelbase of 2490
228	--- Bracket-side plate rear locking mechanism					
		8505051-15	Left	01	ABCD	Except the crew cab vehicle model with 4JB1 engine, wheelbase of 2490
		8505052-15	Right	01	ABCD	Except the crew cab vehicle model with 4JB1 engine, wheelbase of 2490
288	--- Bolt- rear locking mechanism					
		Q150B0825		02	ABCD	Except the crew cab vehicle model with 4JB1 engine, wheelbase of 2490

POWERSTAR